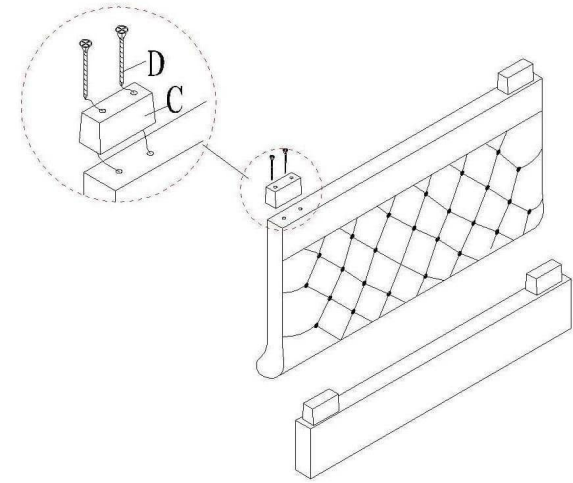
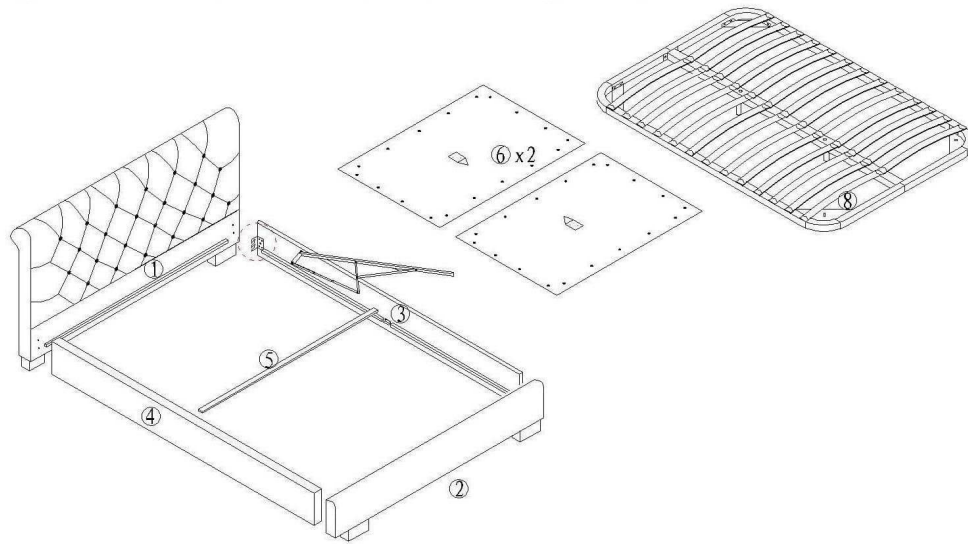
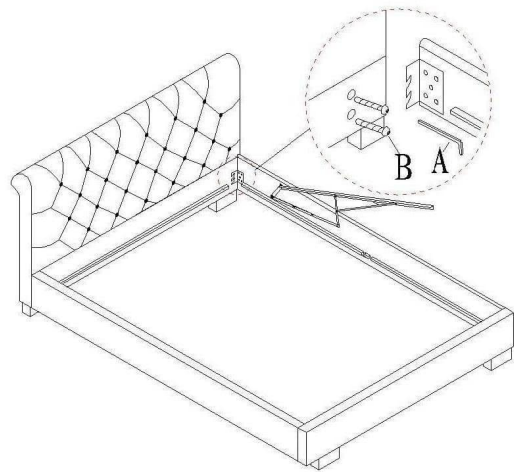


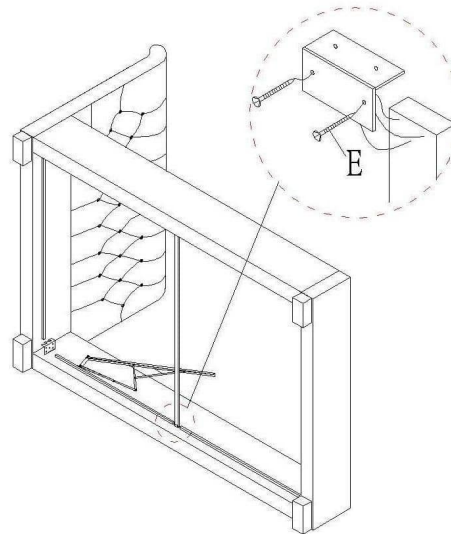
# ASSEMBLY INSTRUCTION



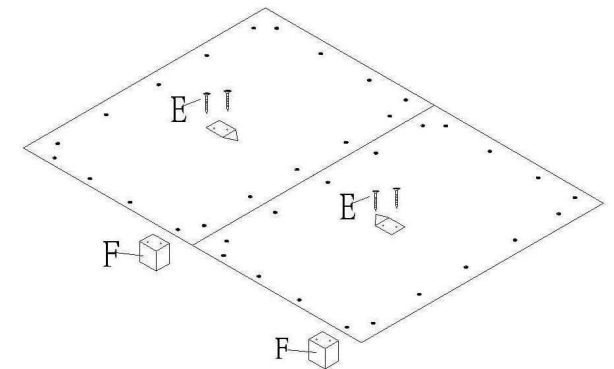
Step 1



Step 2



Step 3



Step 4