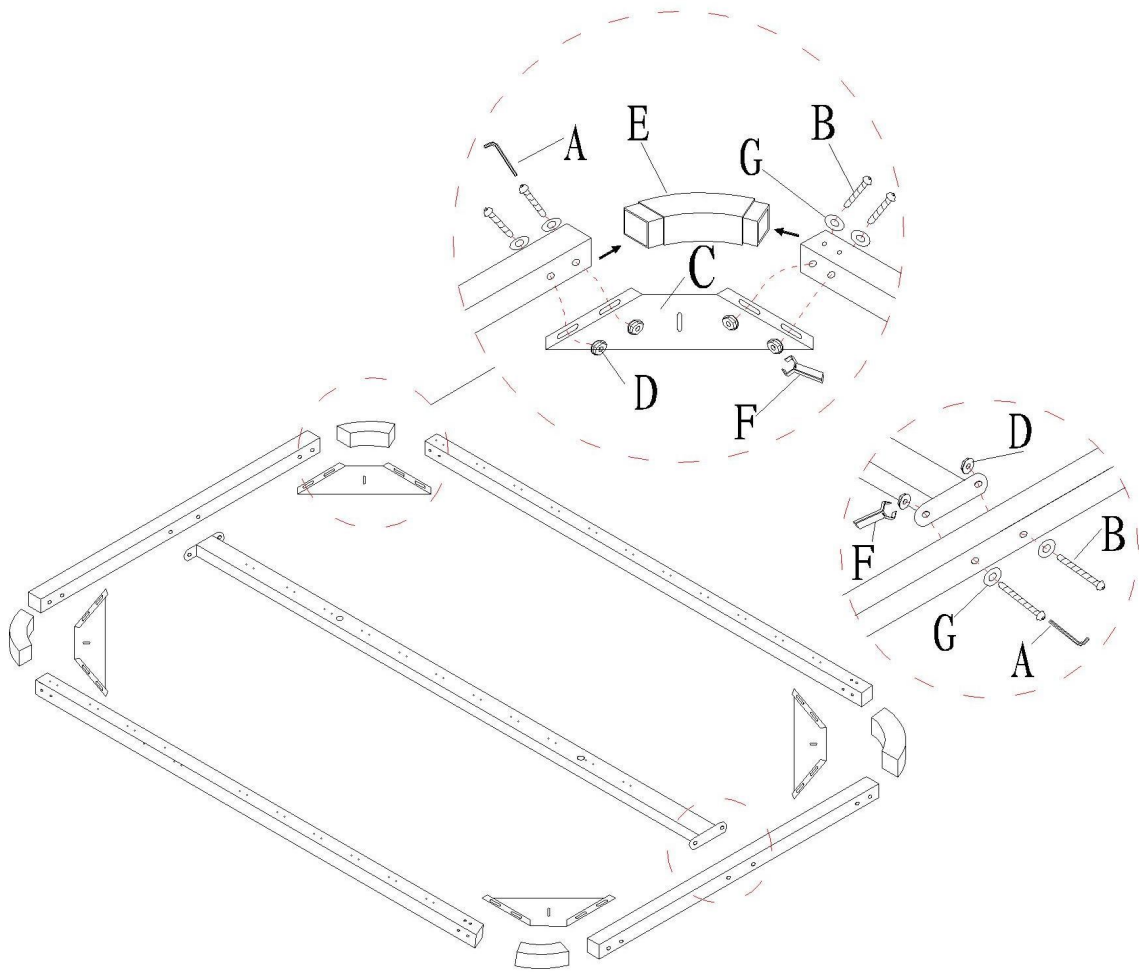
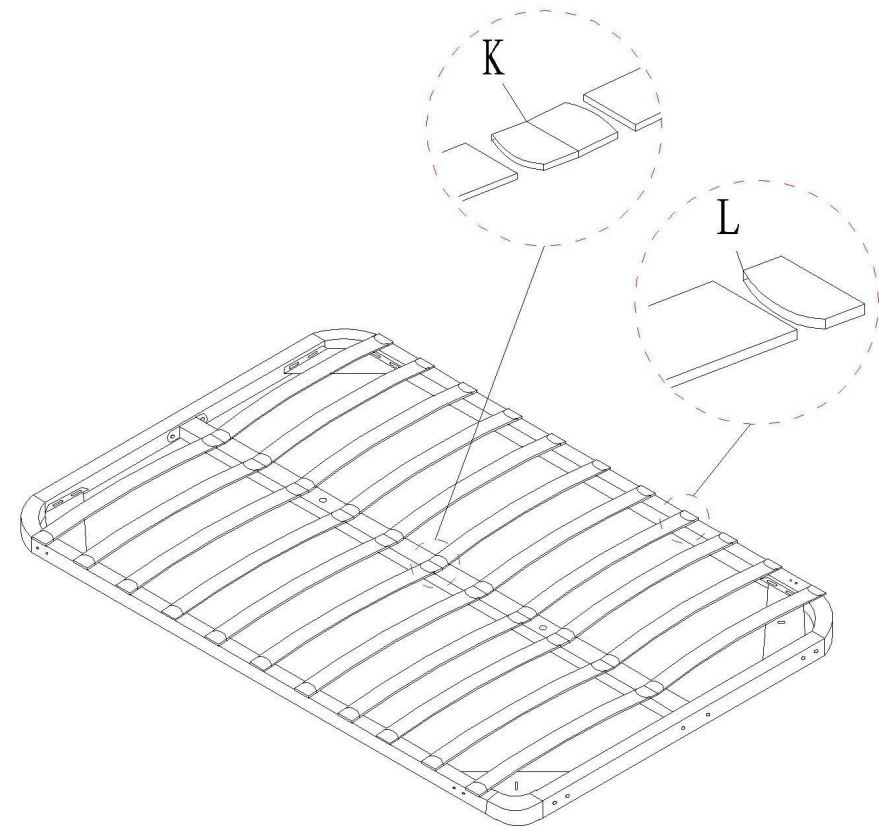


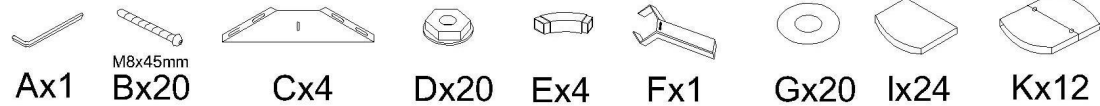
# ASSEMBLY INSTRUCTION



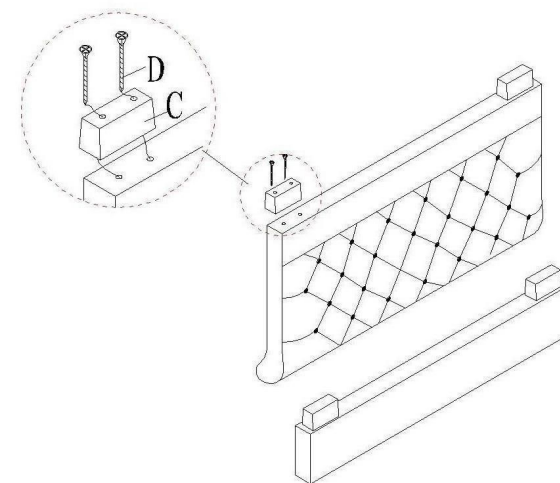
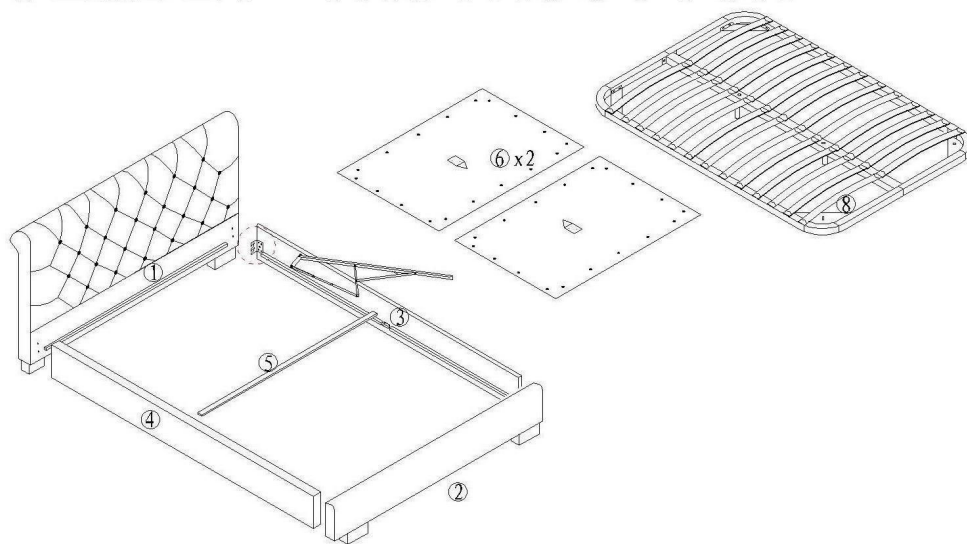
Step 1



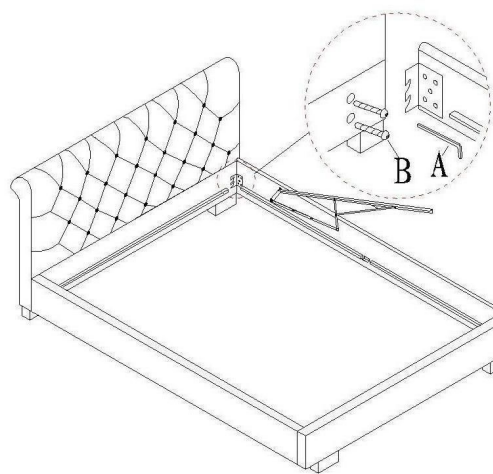
Step 2



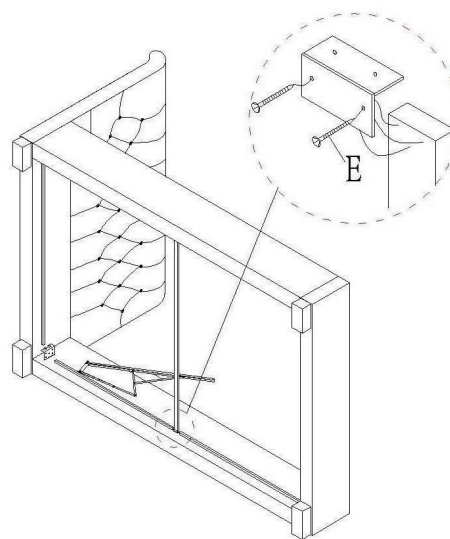
# ASSEMBLY INSTRUCTION



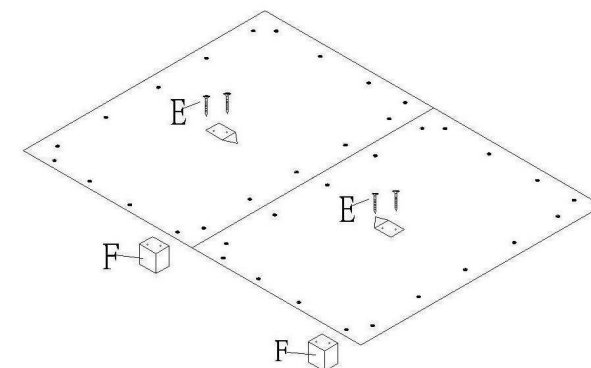
Step 1



Step 2

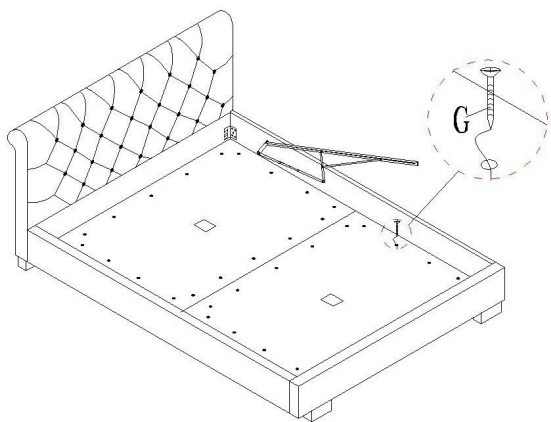


Step 3

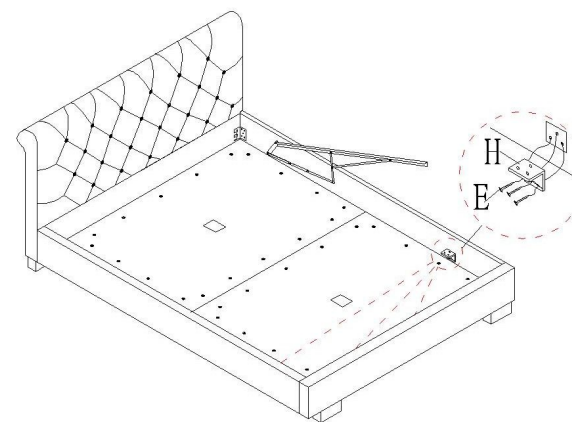


Step 4

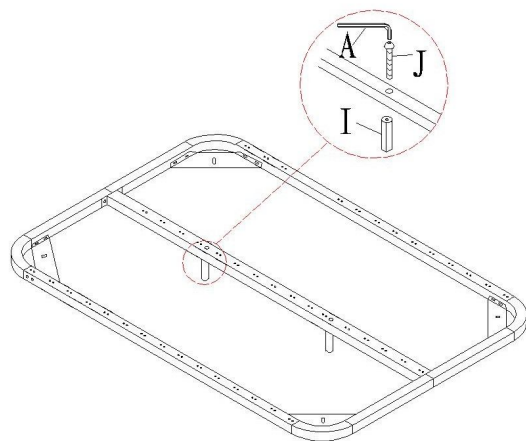
# ASSEMBLY INSTRUCTION



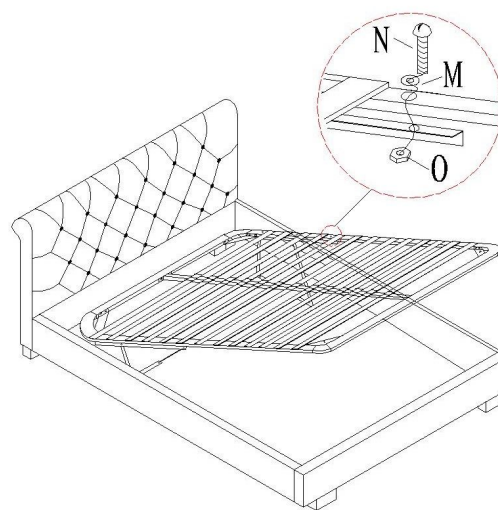
Step 5





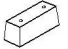





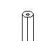




Step 6



Step 7



Step 8

 <b>Ax1</b>	 <b>Bx8</b> M8x25mm	 <b>Cx4</b>
 <b>Dx8</b> M4x60mm	 <b>Ex20</b> M4x25mm	 <b>Fx2</b> Wood supporter
 <b>Gx36</b> M3x20mm	 <b>Hx4</b>	 <b>Ix2</b>
 <b>Jx2</b> M8x45mm	 <b>Mx6</b>	 <b>Nx6</b> M6x45mm
		 <b>Ox6</b>