


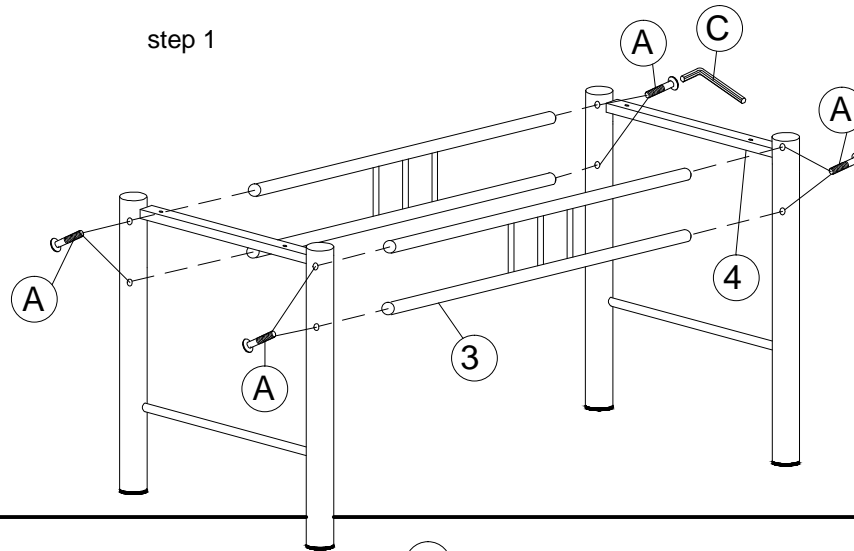


# ASSEMBLY INSTRUCTION

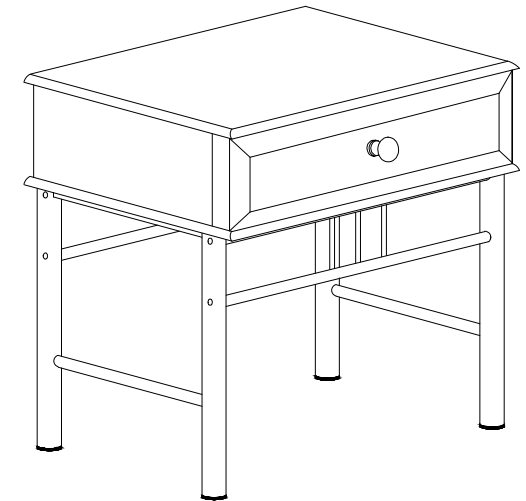
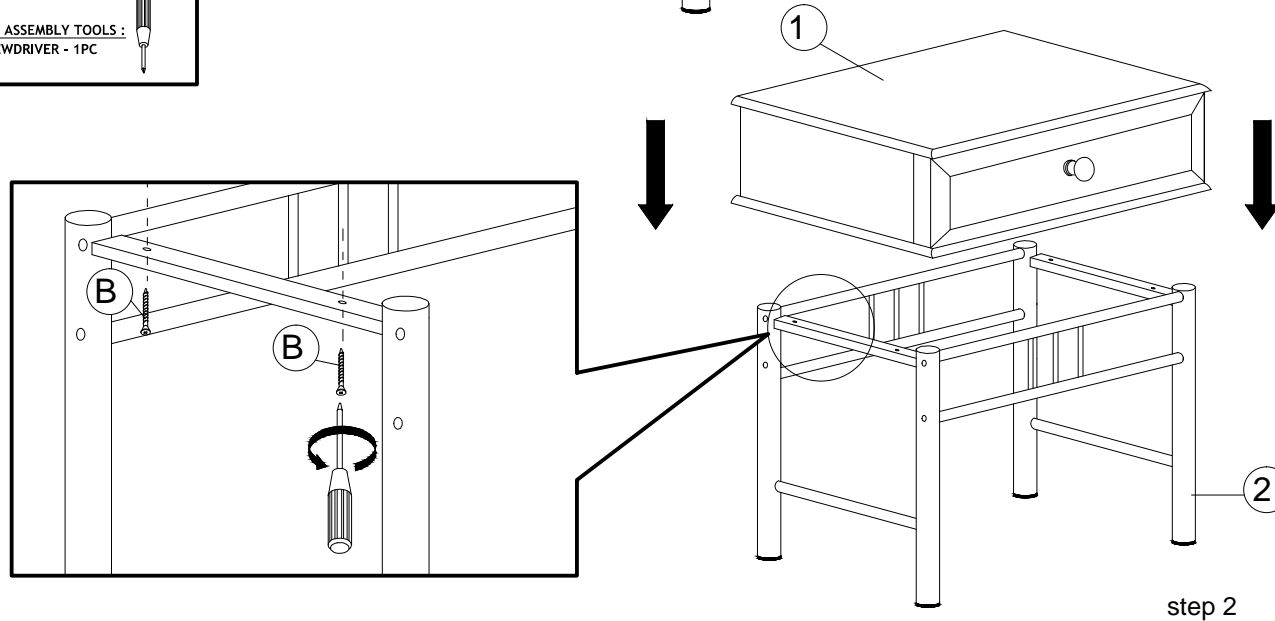
**MODEL :** ( HM307 ) SIDE TABLE - 1 DRAWER

Before you begin, please follow Assembly Instruction carefully. Follow them step by step

HARDWARE LIST		
NO	DESCRIPTION	QTY
A	M6 x 50mm JCBC SCREW 	8
B	M4 x 32mm CSK SCREW 	4
C	M4 ALLEN KEY 	1
PART LIST		
NO	DESCRIPTION	QTY
1	TABLE TOP WITH DRAWER	1
2	TABLE LEG	4
3	LONG STRETCHER	2
4	SIDE STRETCHER	2



REQUIRED ASSEMBLY TOOLS :  
POZI SCREWDRIVER - 1PC



FULLY SETUP