

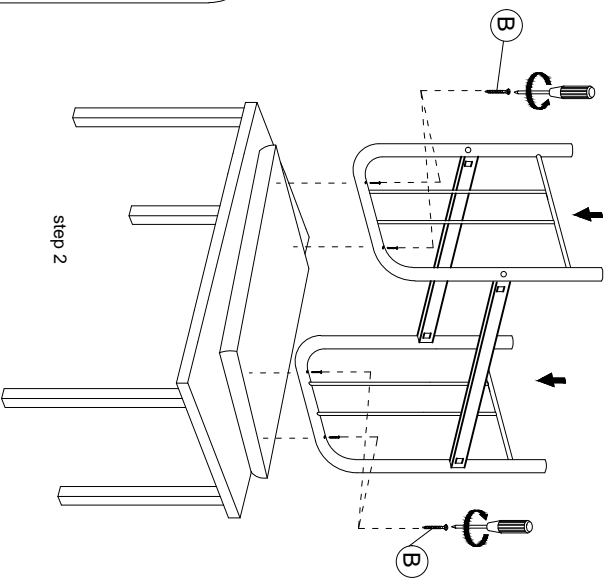
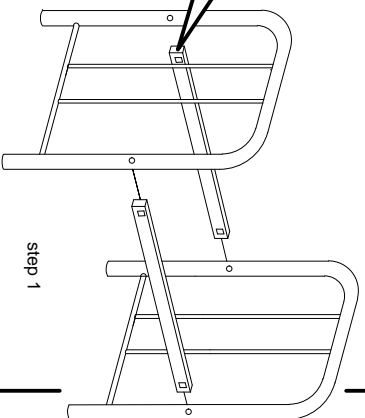
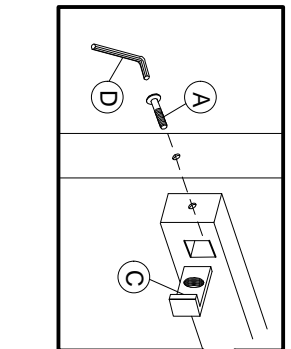
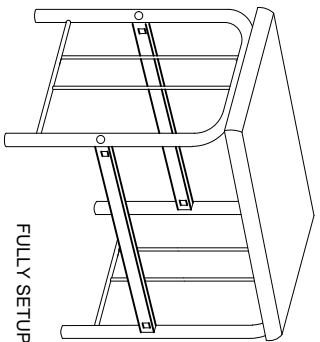
ASSEMBLY INSTRUCTION

MODEL : (HM308) DRESSING TABLE ~ DRESSER STOOL

Before you begin, please follow Assembly Instruction carefully. Follow them step by step

HARDWARE LIST

NO.	DESCRIPTION	QTY
A	M6 x 50mm JOBC SCREW	4
B	M4 x 32mm CSK SCREW	4
C	M6 T- NUT	4
D	M4 ALLENKEY	1



ASSEMBLY INSTRUCTION

MODEL : (HM308) DRESSING TABLE ~ DRESSER

Before you begin, please follow Assembly Instruction carefully. Follow them step by step

HARDWARE LIST

NO.	DESCRIPTION	QTY
A	M6 x 50mm JOBC SCREW	2
B	M4 x 32mm CSK SCREW	4
C	M4 X 16mm CSK SCREW	2
D	M4 ALLENKEY	1

