



Assembly Instruction

WARNING :

2 persons at least are necessary to assemble the swing. Tools are not included.

Make sure that all the necessary pieces are in the carton before starting the assembly.

1. Assemble the swing on a flat and solid surface free from any object that might damage it. If you assemble the swing on a soft surface, the instability will surely entail its damage.

2. Keep away from fire as well as from inflammable objects.

3. By swinging, take especially care about the following:

a) Make sure to put the swing on a flat and solid surface .

b) Do not put your arms and legs between the frame and the seats. Risk of injury!

c) Do not put objects directly behind or in front of the swing

d) By swinging, make sure that the swing is firmly fixed. The maximum pendulum angle is twenty Degree. By extreme movement of the swing, there is a risk of fall over and injury.

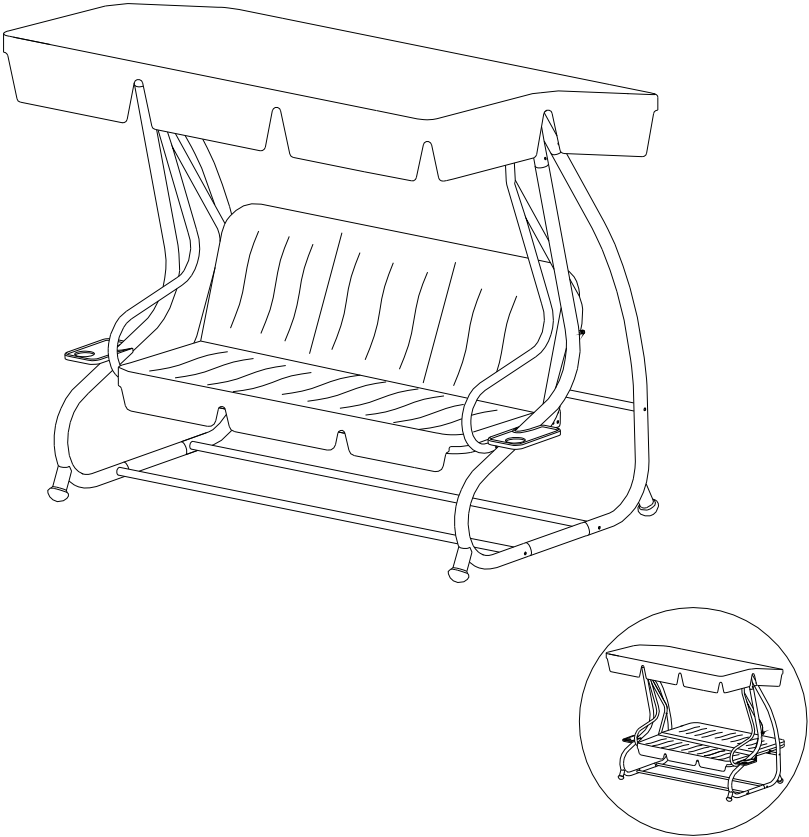
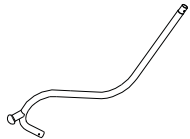
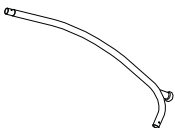

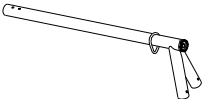
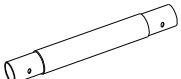
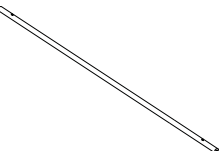
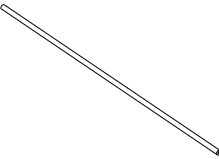

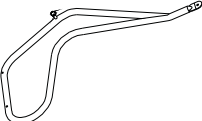
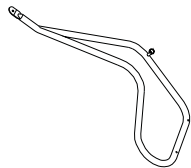
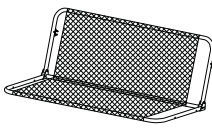
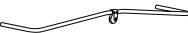


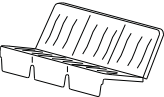


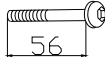
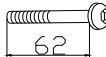
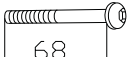

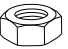


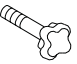
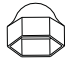
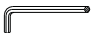
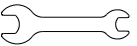
4. Maximum weight: 240kgs

5. Do not leave a child swinging without adult supervision

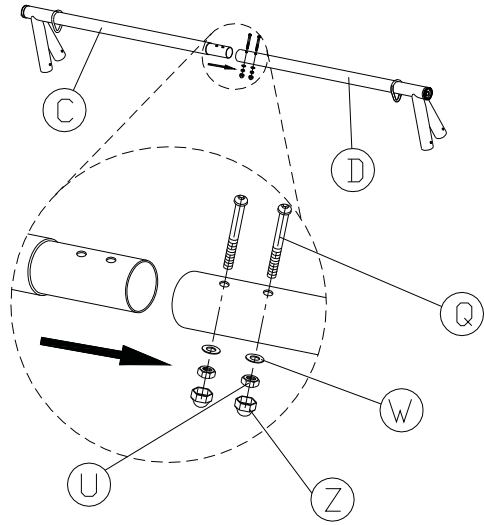
6. At least once per month, make sure that all the screws are well fixed and that the swing is stable

7. Cover the swing by rain or wind

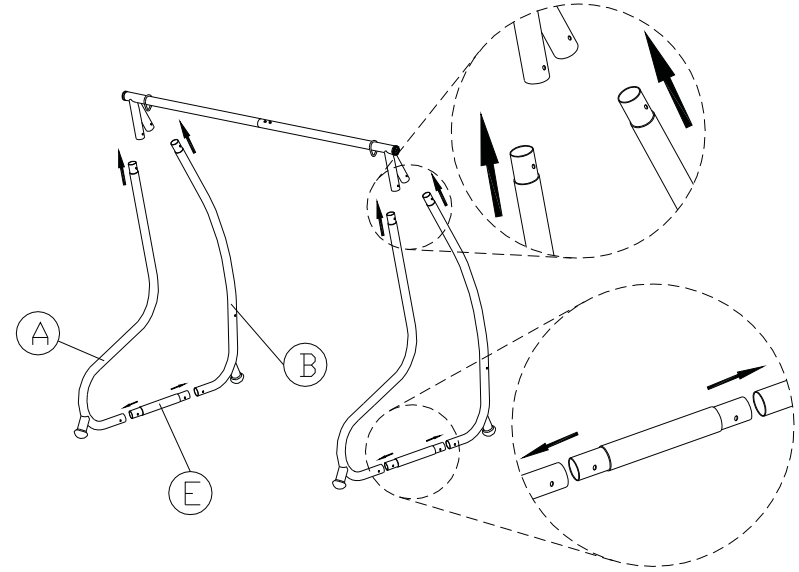
8. The swing do not resist to the winter. Take it down in autumn and put it in a cool place.

							
				A 2	B 2	C 1	D 1
							
				E 2	F 1	G 2	H 2
							
				I 1	I1 1	J 1	K 2
							
				L 2	M 1	N 1	O 1
							
				P 1	Q 6	S 2	T 10
							
U 10	V 2	W 10	X 2	Y 2	Z 10 2	AA 2	BB 1

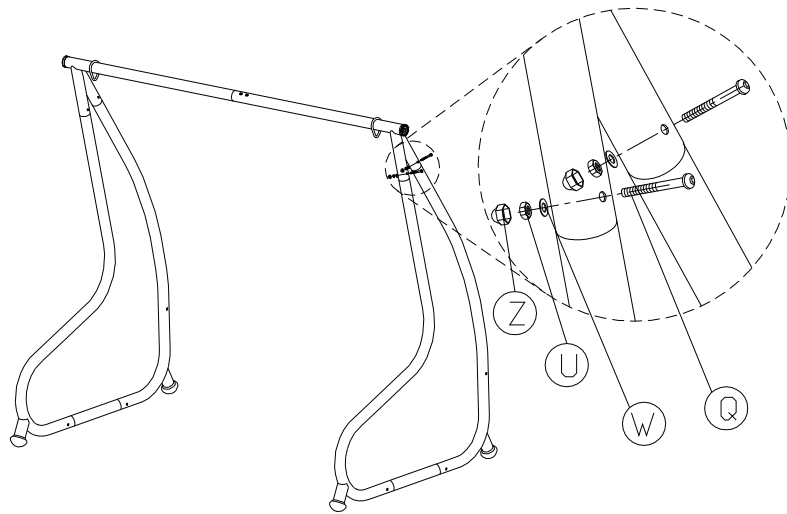
1



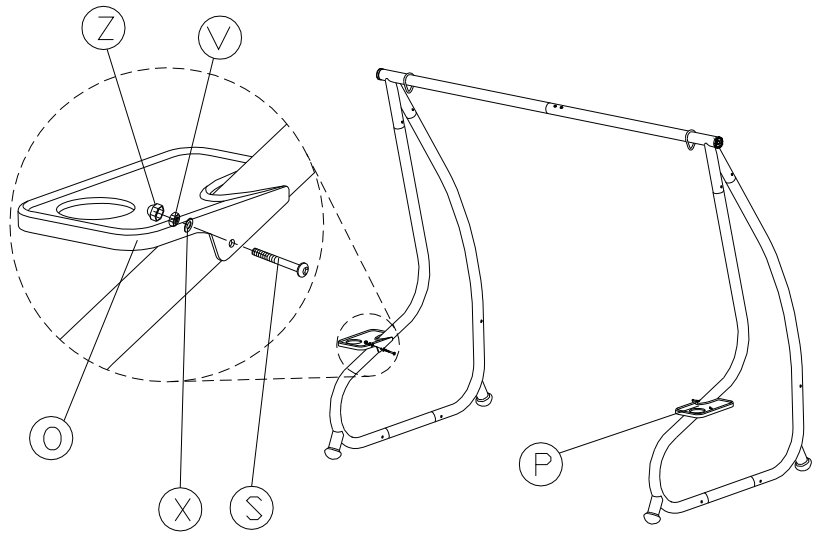
2



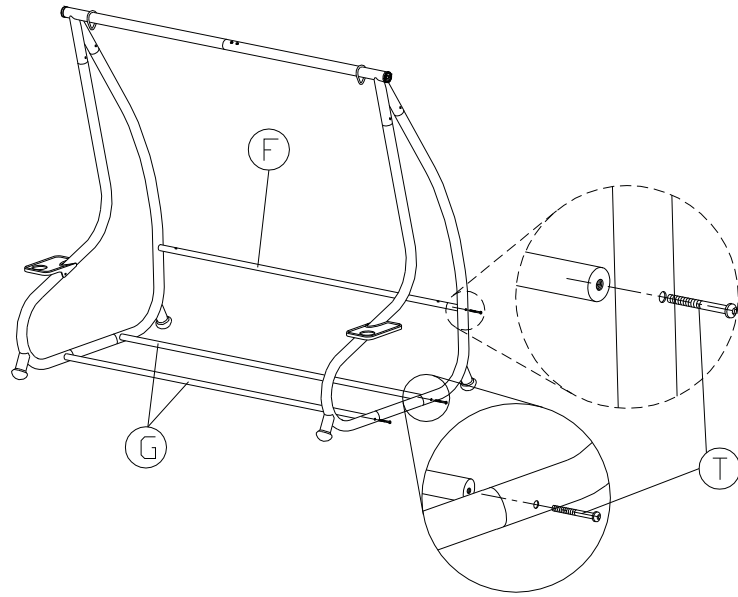
3



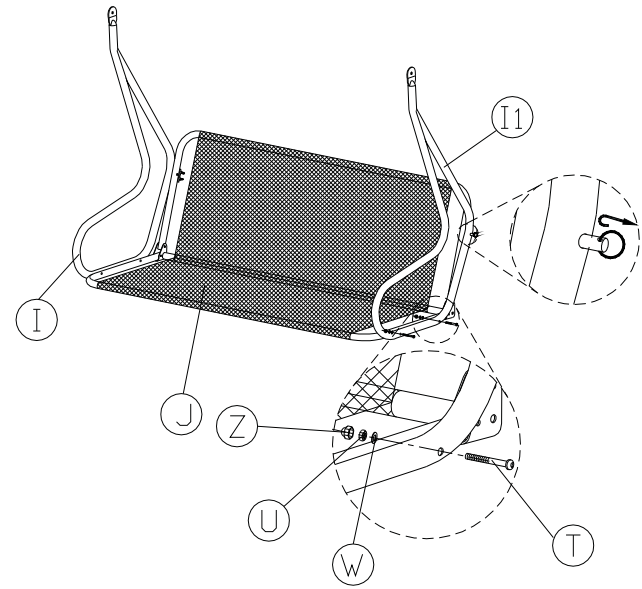
4



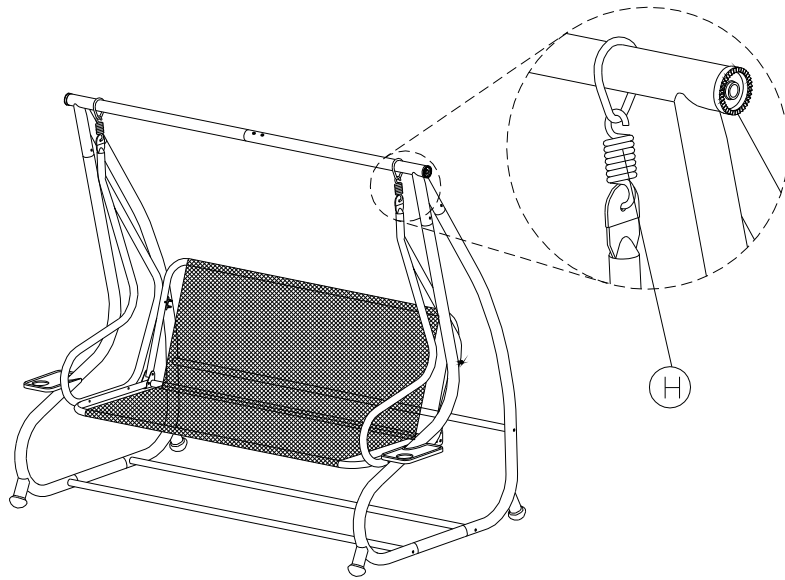
5



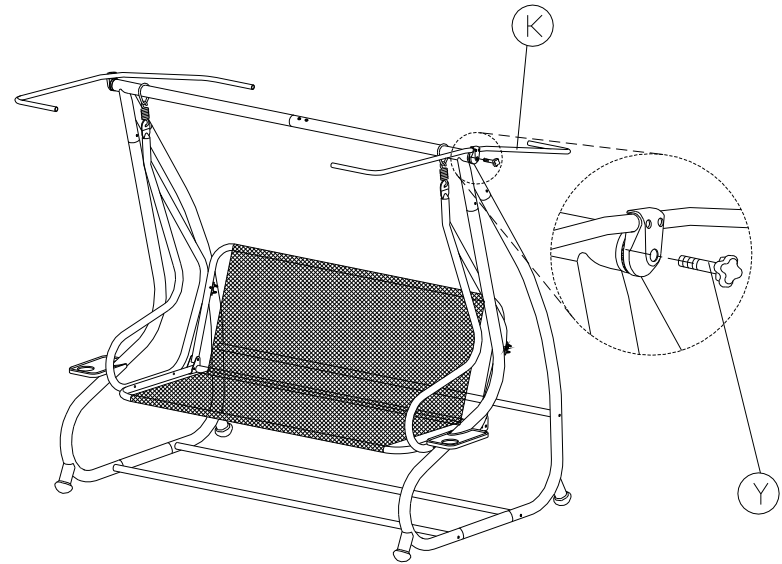
6



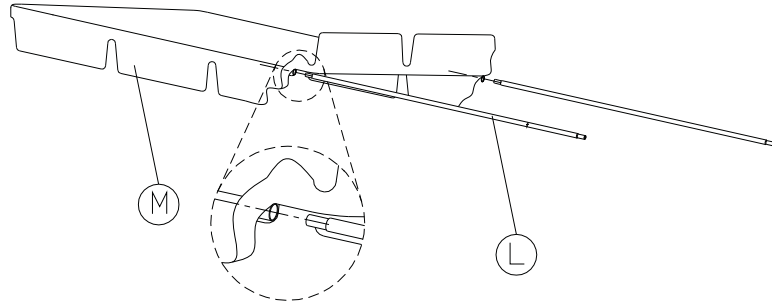
7



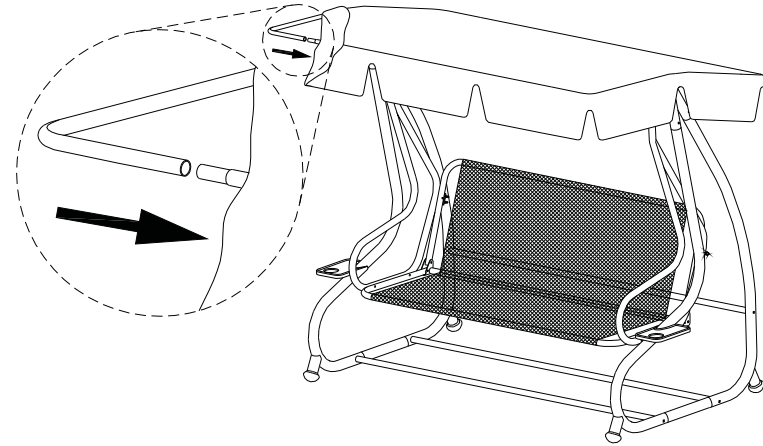
8



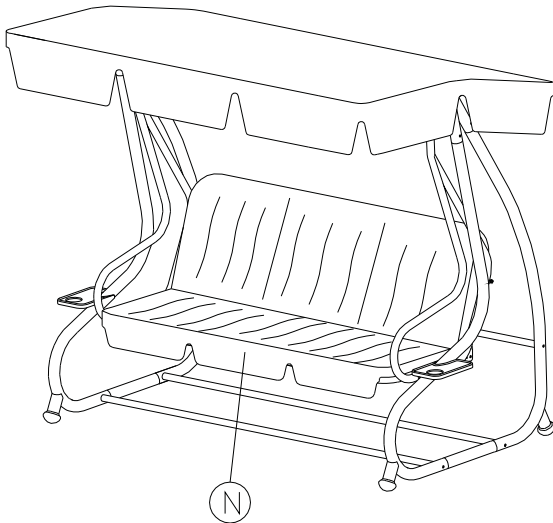
9



10



11



12

