

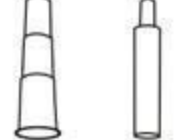




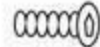




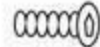




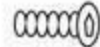




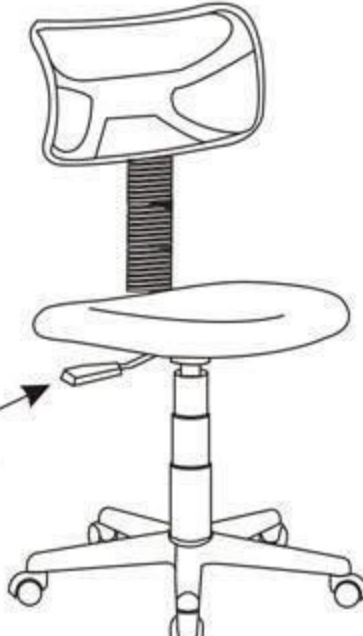
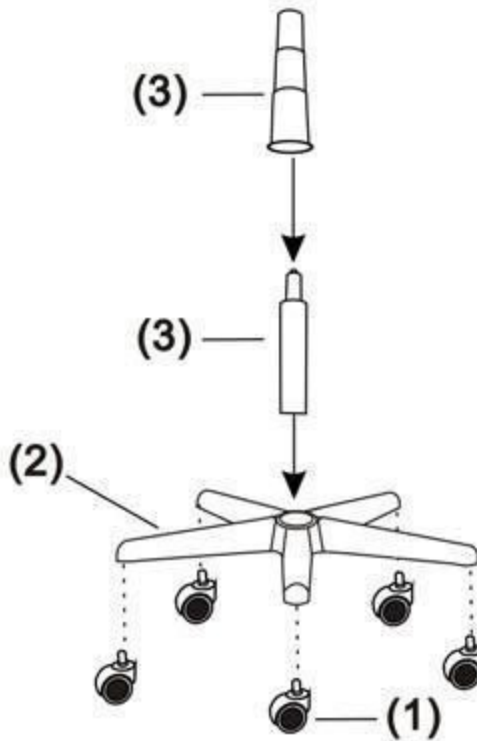
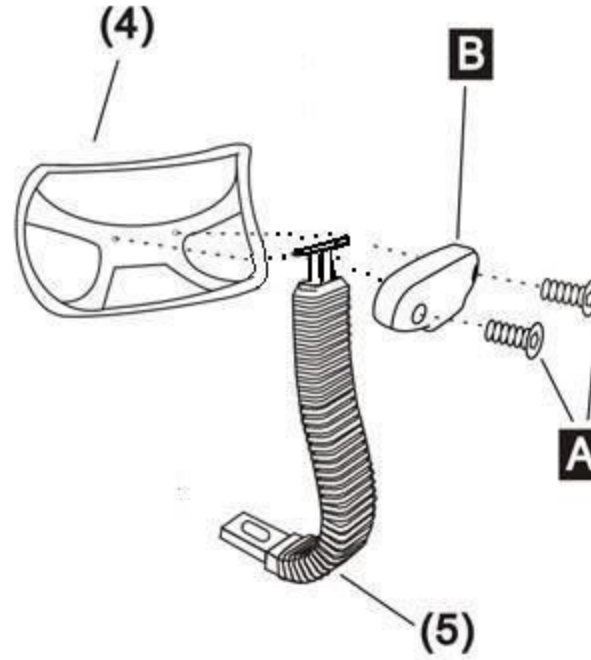
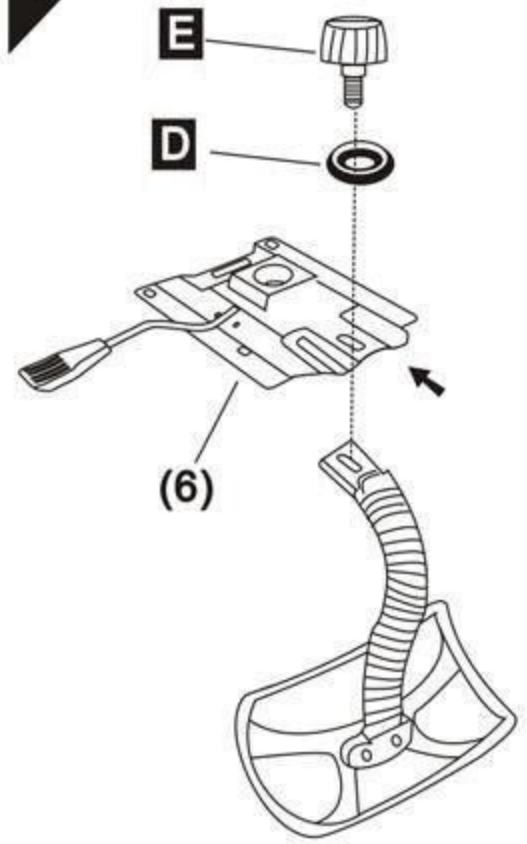
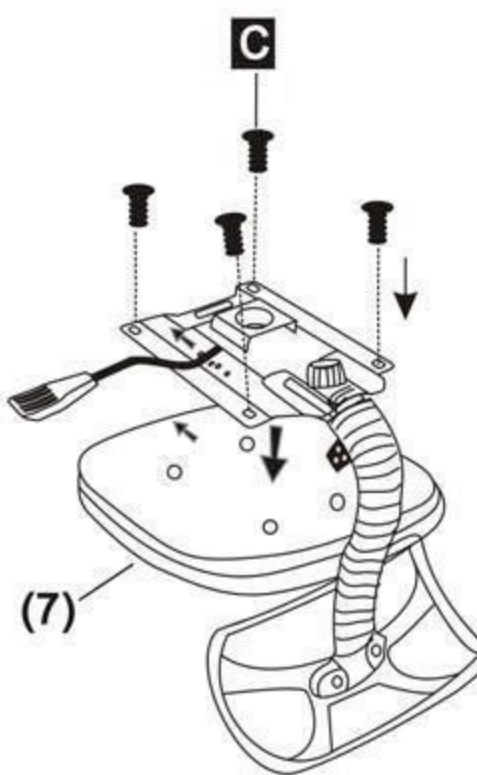
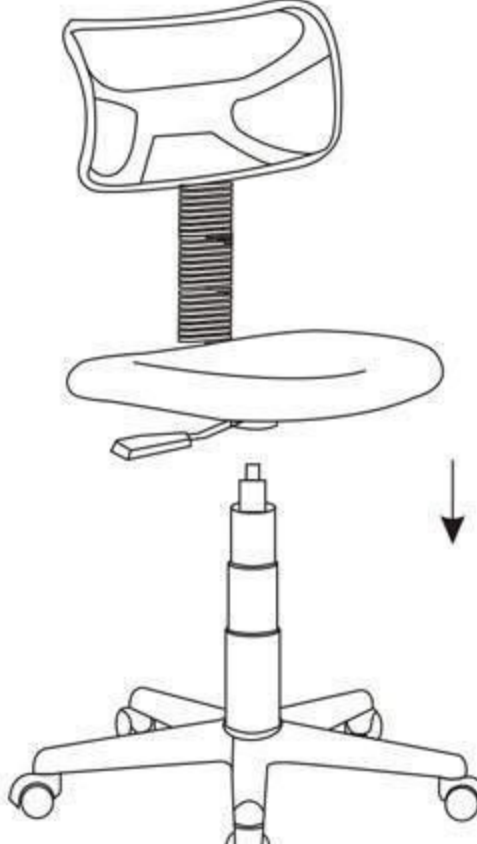
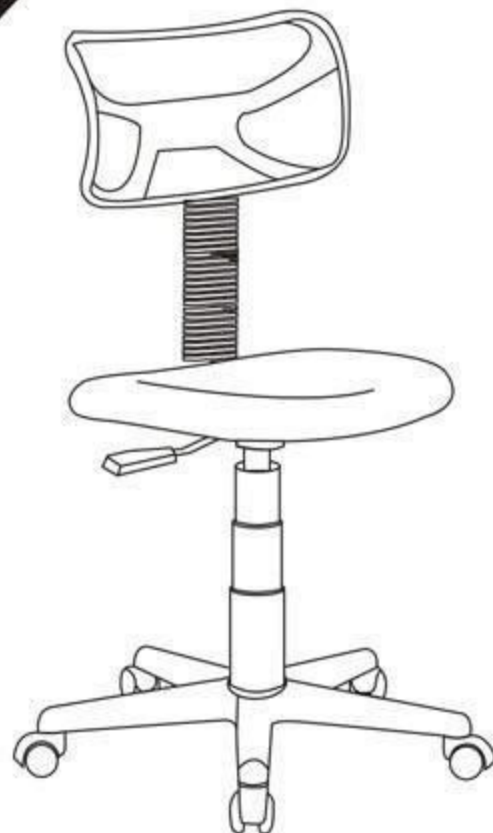


# Οδηγίες Συναρμολόγησης HM1026

| (1) CASTER  | (2) BASE  | (3) GASLIFT&COVER   | (4) BACK  |   |  |          |   |    |          |  |    |          |   |    |          |   |    |          |   |    |
|---|---|---|---|---|--|----------|---|----|----------|--|----|----------|---|----|----------|---|----|----------|---|----|
|  <p>X5</p>   |    |                      |  |   |  |          |   |    |          |  |    |          |   |    |          |   |    |          |   |    |
| (5) BACK FRAME  | (6) MECHANISM   | (7) SEAT  |   |   |  |          |   |    |          |  |    |          |   |    |          |   |    |          |   |    |
|    |    |                      |   |   |  |          |   |    |          |  |    |          |   |    |          |   |    |          |   |    |
| <p>(8)</p> <table border="0"> <tr> <td><b>A</b></td> <td></td> <td>X2</td> </tr> <tr> <td><b>B</b></td> <td></td> <td>X1</td> </tr> <tr> <td><b>C</b></td> <td></td> <td>X4</td> </tr> <tr> <td><b>D</b></td> <td></td> <td>X1</td> </tr> <tr> <td><b>E</b></td> <td></td> <td>X1</td> </tr> </table> |   |   |   |   |  | <b>A</b> |  | X2 | <b>B</b> |  | X1 | <b>C</b> |  | X4 | <b>D</b> |  | X1 | <b>E</b> |  | X1 |
| <b>A</b>  |    | X2  |   |   |  |          |   |    |          |  |    |          |   |    |          |   |    |          |   |    |
| <b>B</b>  |   | X1  |   |   |  |          |   |    |          |  |    |          |   |    |          |   |    |          |   |    |
| <b>C</b>  |  | X4  |   |   |  |          |   |    |          |  |    |          |   |    |          |   |    |          |   |    |
| <b>D</b>  |  | X1  |   |   |  |          |   |    |          |  |    |          |   |    |          |   |    |          |   |    |
| <b>E</b>  |  | X1  |   |   |  |          |   |    |          |  |    |          |   |    |          |   |    |          |   |    |
|  <p>Height adjustment handle</p>   |   |   |   |   |  |          |   |    |          |  |    |          |   |    |          |   |    |          |   |    |
| <p><b>1</b></p>   |   | <p><b>2</b></p>   |   | <p><b>3</b></p>   |  |          |   |    |          |  |    |          |   |    |          |   |    |          |   |    |
| <p><b>4</b></p>    |   | <p><b>5</b></p>  |   | <p><b>6</b></p>  |  |          |   |    |          |  |    |          |   |    |          |   |    |          |   |    |