
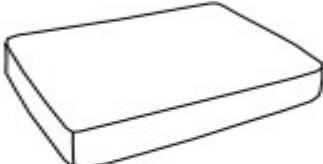

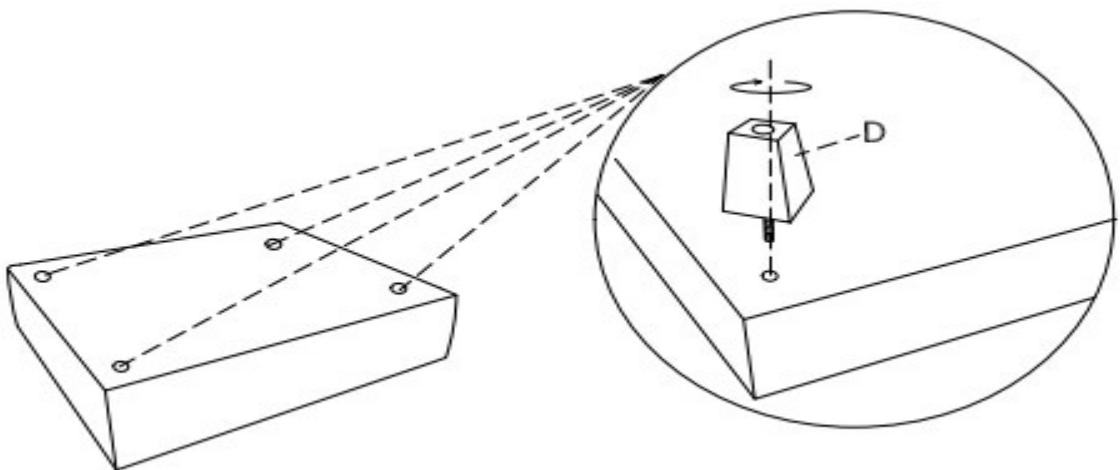
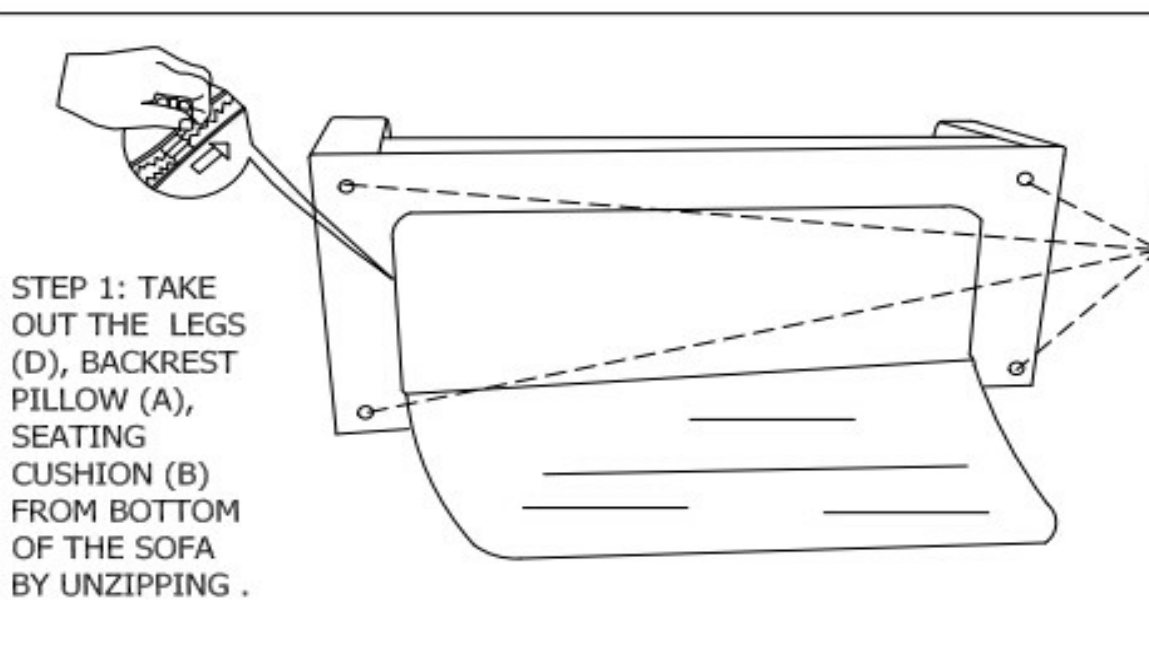


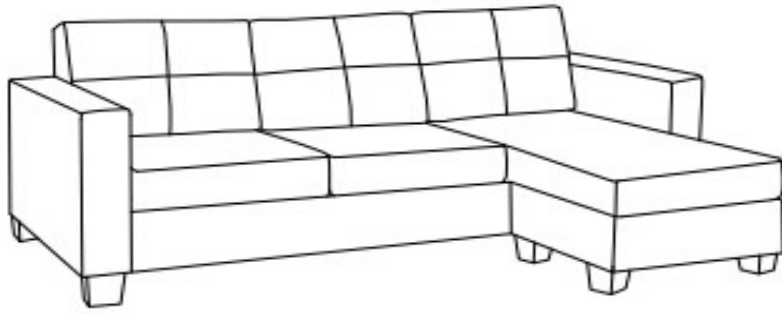
ASSEMBLY INSTRUCTION

PLEASE ENSURE THERE ARE NO PARTS MISSING BEFORE ASSEMBLY.

A	B	C
 BACKREST PILLOW	 SEATING CUSHION	 CHAISE SEATING CUSHION
3PCS	2PCS	1PCS

ATTENTION: THIS ITEM SHOULD BE ASSEMBLED ON A SOFT SURFACE TO PREVENT DAMAGE TO THE SOFA DURING ASSEMBLY.



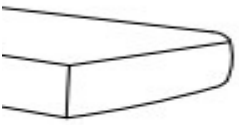
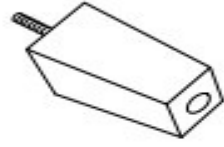


STEP 4: PUT THE PILLOWS AND CUSHIONS ON CORNER SOFA SHOWN ON THE LEFT.

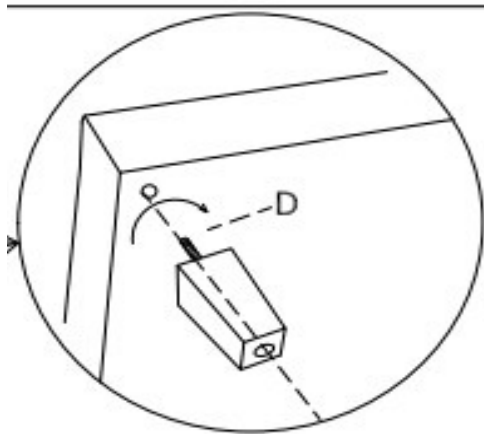
IT IS AVAILABLE FOR PEOPLE TO CHANGE THE CORNER DIRECTION FROM LEFT TO RIGHT.

IT IS ALSO AVAILABLE FOR PEOPLE TO TURN THE CORNER SOFA INTO A 3 SEATER SOFA WITH AN OTTOMAN.

3 SEATER + OTTOMAN

	D
 JSHION	 LEG
	8PCS

REVENT SCRATCHING THE FINISH



STEP 2: ROTATE THE LEGS (D) TO THE BOTTOM OF THE SOFA.

STEP 3: ROTATE THE LEGS (D) TO BOTTOM OF THE OTTOMAN.

