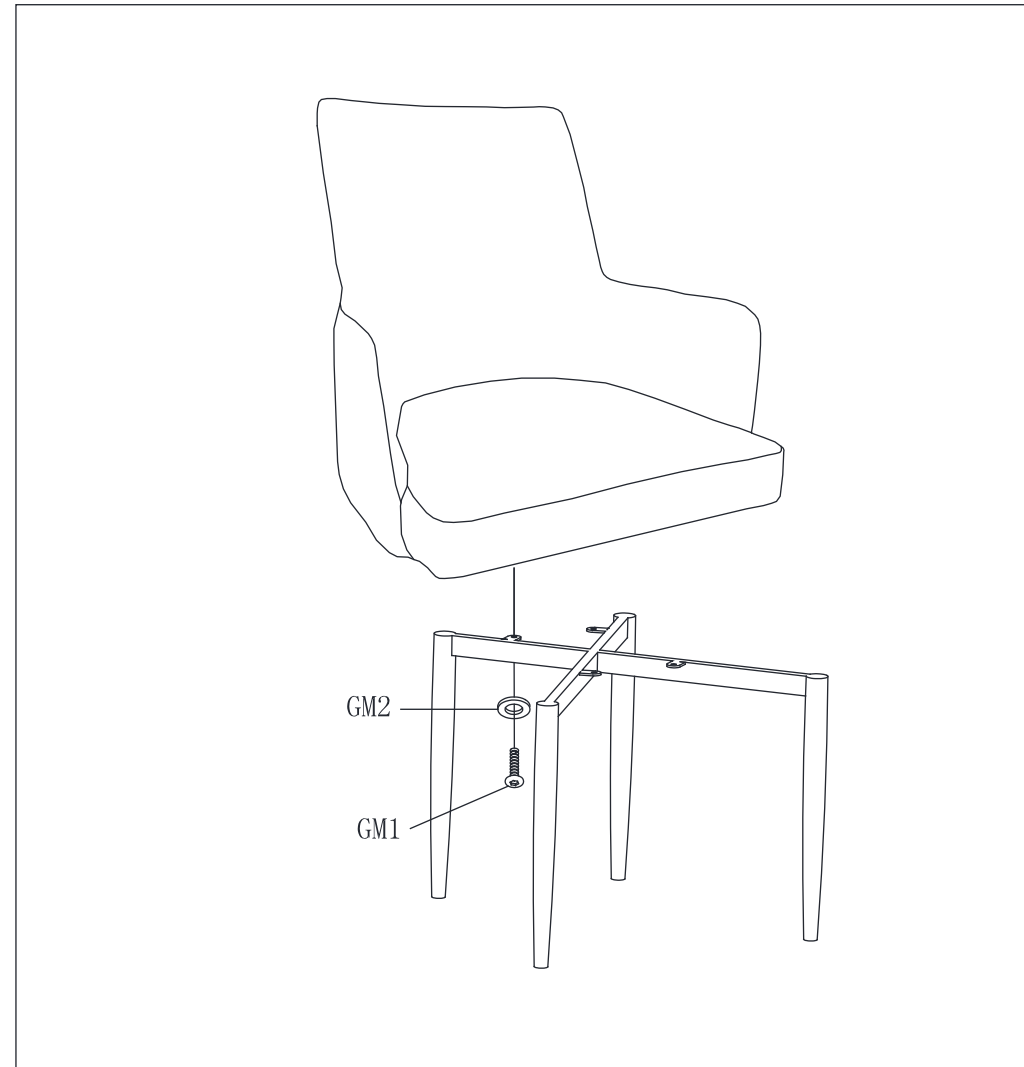
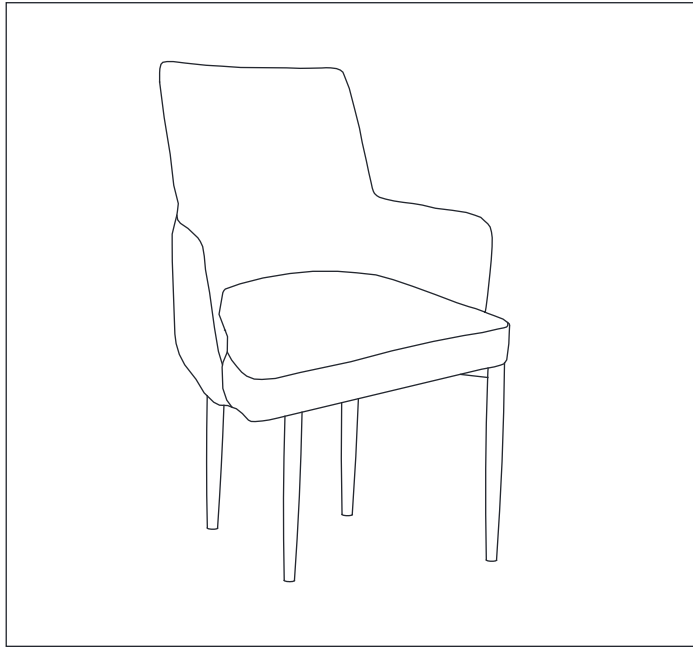





ASSEMBLE INSTRUCTION FOR DINING CHAIR

MODEL NO. MC-02



GM1	GM2	GM3
		
4PCS	4PCS	1PC