

ASSEMBLY INSTRUCTION

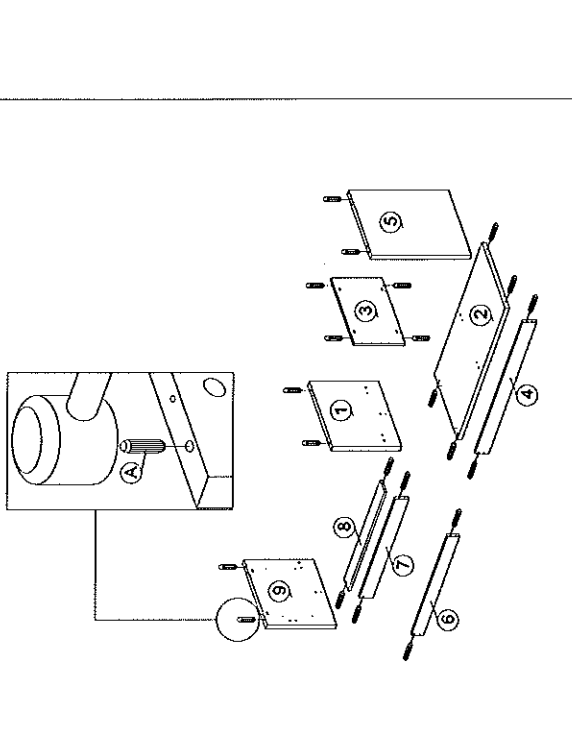
MODEL : HM 2212.02 DESC : TV CABINET WITH 2 DRAWERS

SOFT DRY CLOTH	CHEMICAL	HEAT	KEEP DRY	HANDLE WITH CARE	DO NOT USE KNIFE	

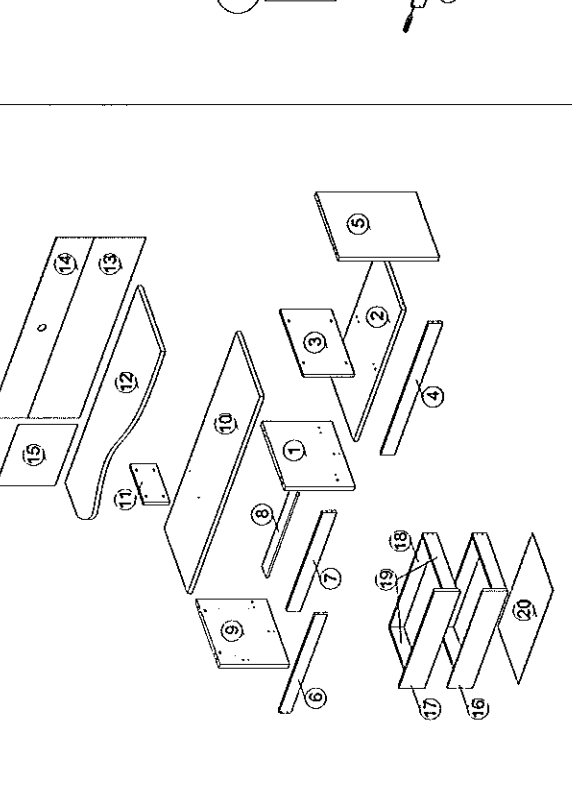
A	WOOD DOVEL 8 X 25	1X22	B	16MM CB SCREW M4X16MM	1X24
C	38MM CB SCREW M4X38MM	1X16	D	NAIL 5/8	1X40
E	L KEY	1X1	F	MATEX 58X4-5846	27 SETS
F	MATEX 58X4-5846	27 SETS	F1	MATEX 58X4-5846	27 SETS
F2	MATEX 58X4-5846	27 SETS	F3	MATEX 58X4-5846	27 SETS
G	DRAINER GLIDE 1/4"	2 SETS	G1	DRAINER GLIDE 1/4"	2 SETS
G2	DRAINER GLIDE 1/4"	2 SETS	G2	DRAINER GLIDE 1/4"	2 SETS

PART LIST

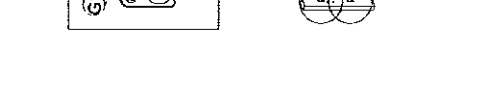
STEP 2



STEP 1



STEP 3



STEP 4



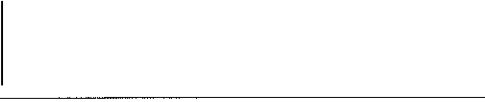
STEP 5



STEP 6



STEP 7



ASSEMBLY INSTRUCTION

MODEL : HM 2212.02

DESC : TV CABINET WITH 2 DRAWERS

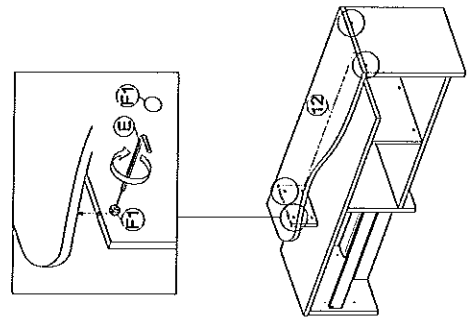
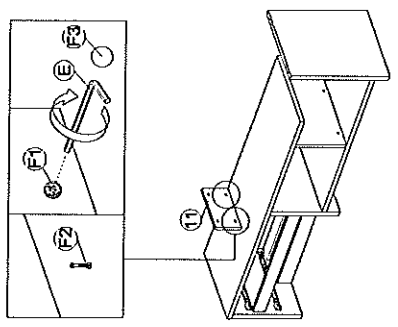
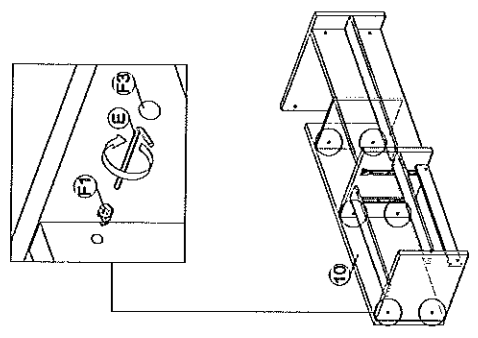
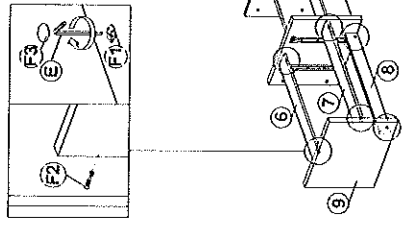
SOFT DRY CLOTH	CHEMICAL	HEAT	KEEP DRY	HANDLE WITH CARE	DO NOT USE KNIFE	

STEP 8

STEP 9

STEP 10

STEP 11



STEP 12

STEP 13

COMPLETED

