

# ASSEMBLY INSTRUCTION

DESC: TV CABINET WITH 2 DOORS

MODEL : HM 2214.03

SOFT DRY CLOTH	CHEMICAL	HEAT	KEEP DRY	HANDLE WITH CARE	DO NOT USE KNIFE	

<b>A</b>		CS SCREW M4.5X19MM 1X35	<b>B</b>		CSK CAP WOOD M10X5MM 1X15	<b>C</b>		L KEY 1X1
<b>D</b>		MINIFIX 5044-5046 32 SETS	<b>D2</b>		QUICKFIT CAP	<b>D3</b>		
<b>E</b>		HINGE 7B 4 SETS	<b>F</b>		3R100 PVC LEG 1X4	<b>G</b>		PLASTIC WALL ANCHOR-RED 1X3
<b>H</b>		5/2 L BRACKET 1X3	<b>I</b>		CS SCREW M4X20MM 1X3	<b>J</b>		CS SCREW M4X20MM 1X12

**PART LIST**

**STEP 1**

**STEP 2**

**STEP 3**

**STEP 4**

**STEP 5**

**STEP 6**

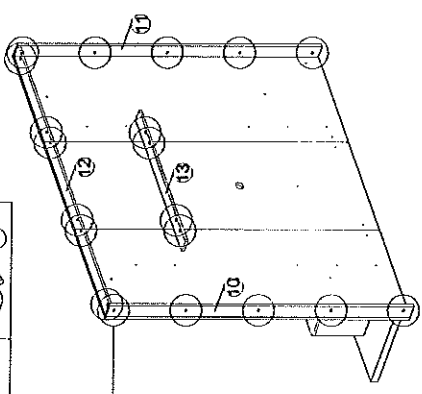
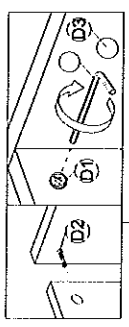
# ASSEMBLY INSTRUCTION

DESC: TV CABINET WITH 2 DOORS

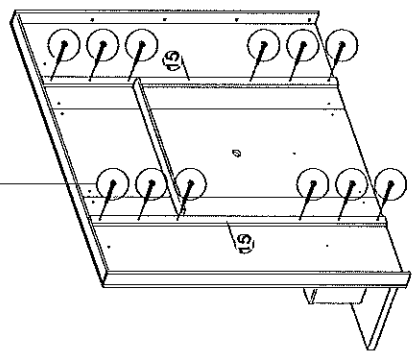
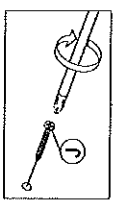
MODEL : HM 2214.03

SOFT DRY CLOTH	CHEMICAL	HEAT	KEEP DRY	HANDLE WITH CARE	DO NOT USE KNIFE	

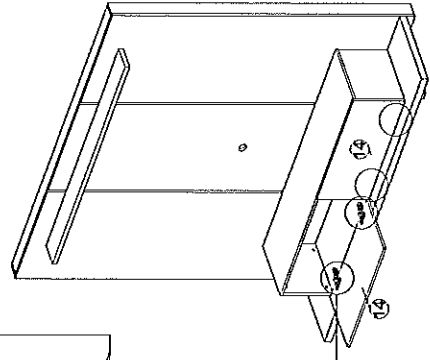
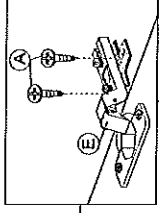
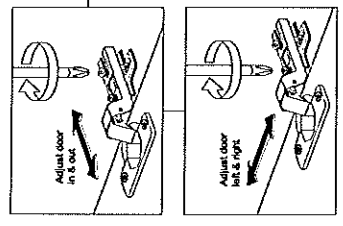
## STEP 7



## STEP 8



## STEP 9



## COMPLETED

