

# ASSEMBLY INSTRUCTION

DESC : TV CABINET WITH 2 DOORS

MODEL : HM 2215

	SOFT DRY CLOTH	CHEMICAL	HEAT	KEEP DRY	HANDLE WITH CARE	DO NOT USE KNIFE

HARDWARE		PART LIST	
<b>A</b>	WOOD DOVEL 8 X 25 1X20	<b>M</b>	38100 PVC LEG 1X5
<b>B</b>	16MM CS SCREW MAX20MM 1X60	<b>L</b>	L1 L2 DRAWER SLIDE 14" 1 SET
<b>C</b>	38MM CS SCREW MAX20MM 1X8	<b>K</b>	HANDLE BC11635 (METAL) 1X1
<b>D</b>	65MM CS SCREW MAX20MM 1X8	<b>J2</b>	K45 ROLLER 4 SETS
<b>E</b>	1X30 NAIL OR 1X1 L KEY	<b>J1</b>	MIRROR BACKET 1X12
<b>F</b>	1X1 L KEY	<b>I</b>	MIRROR BACKET 1X12
<b>G</b>	G1 G2 G3 QUICKFIT CAP 12 SETS	<b>H</b>	METAL SHELF SUPPORT SC46 1X12
<b>H</b>	16MM CS SCREW MAX20MM 1X60	<b>G3</b>	QUICKFIT CAP 12 SETS
<b>I</b>	MIRROR BACKET 1X12	<b>G2</b>	MINIKEY 6504-2540 12 SETS
<b>J</b>	K45 ROLLER 4 SETS	<b>G1</b>	MINIKEY 6504-2540 12 SETS
<b>J2</b>	K45 ROLLER 4 SETS	<b>G2</b>	MINIKEY 6504-2540 12 SETS
<b>K</b>	HANDLE BC11635 (METAL) 1X1	<b>G3</b>	QUICKFIT CAP 12 SETS
<b>L</b>	L1 L2 DRAWER SLIDE 14" 1 SET		
<b>M</b>	38100 PVC LEG 1X5		

**STEP 1**

**STEP 2**

**STEP 3**

**STEP 4**

**STEP 5**

**STEP 6**

**STEP 7**

**STEP 8**

**STEP 9**

**STEP 10**

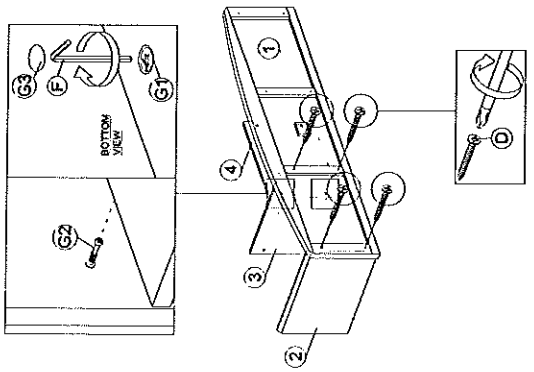
# ASSEMBLY INSTRUCTION

DESC : TV CABINET WITH 2 DOORS

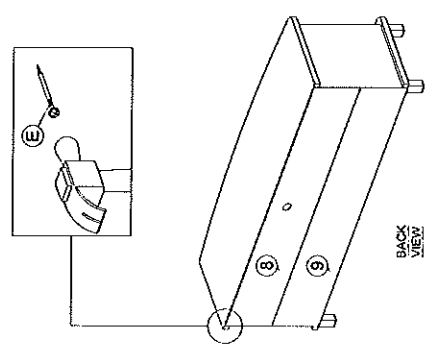
MODEL : HM 2215

	SOFT DRY CLOTH	CHEMICAL	HEAT	KEEP DRY	HANDLE WITH CARE	DO NOT USE KNIFE

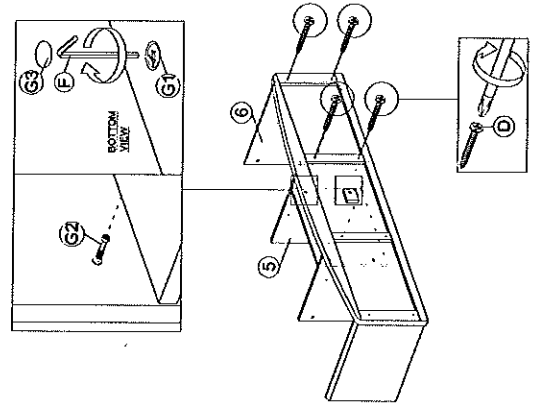
STEP 11



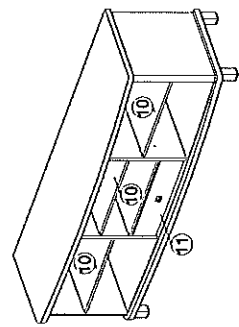
STEP 15



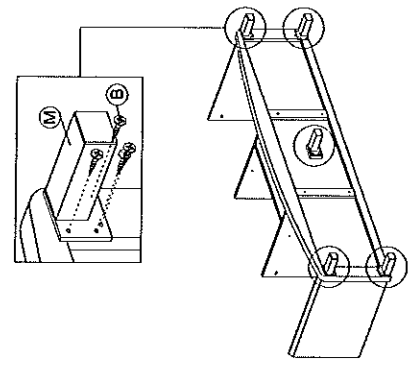
STEP 12



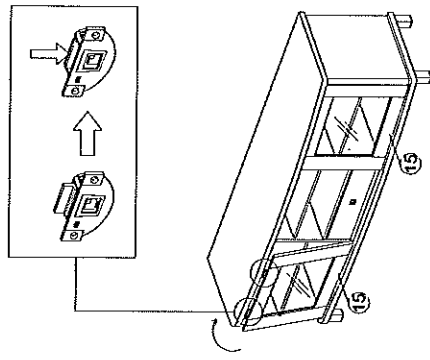
STEP 16



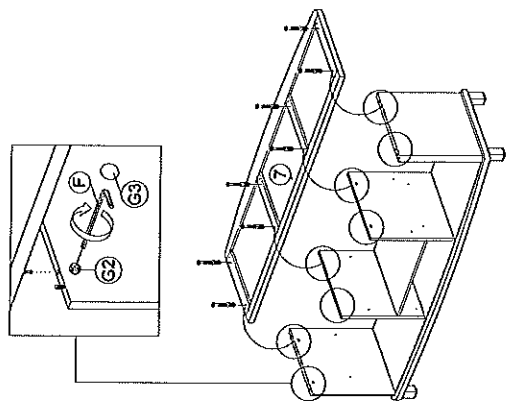
STEP 13



STEP 17



STEP 14



COMPLETED

