

# ASSEMBLY INSTRUCTION

MODEL : HM 2216.01

DESCRIPTION : COFFEE TABLE

HARDWARE

**A**  
WOOD DOWEL  
8 X 25  
1X8

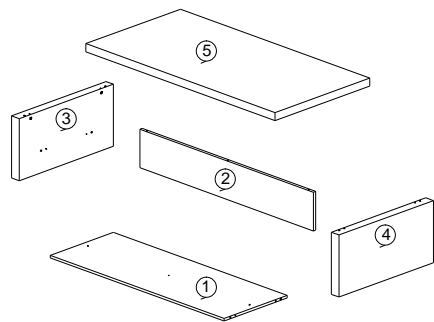
**B**  
L KEY  
1X1

**C**  
PVC NAIL  
WITH PIN  
5/8  
1X4

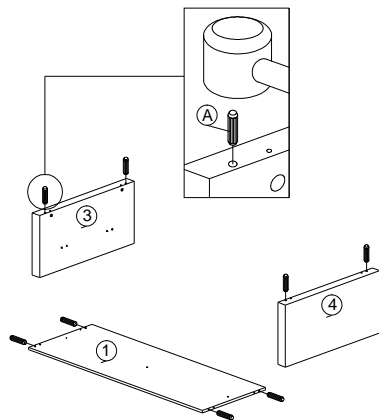
**D**  
D1 D2 D3  
MINIFIX  
5554 + 5546  
QUICKFIT  
CAP  
11 SETS

**E**  
50MM  
CSK CAP  
WOOD  
M6X50MM  
1X3

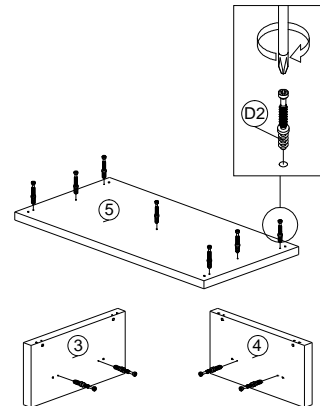
## PART LIST



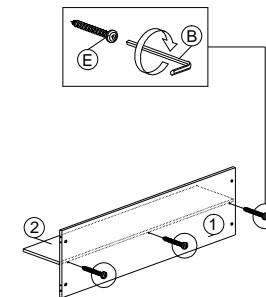
## STEP 1



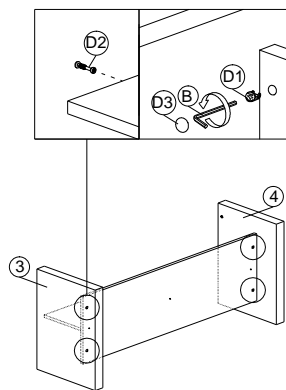
## STEP 2



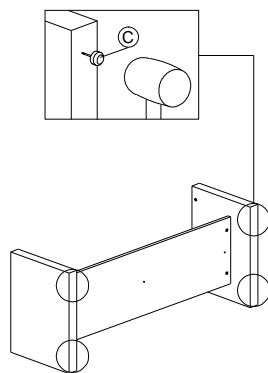
## STEP 3



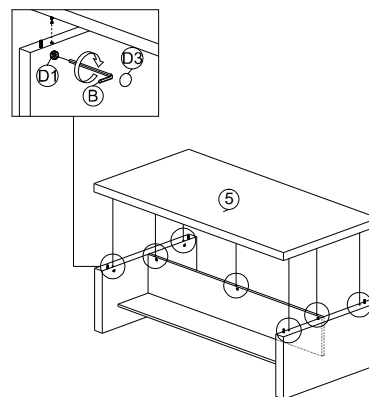
## STEP 4



## STEP 5



## STEP 6



## COMPLETED

