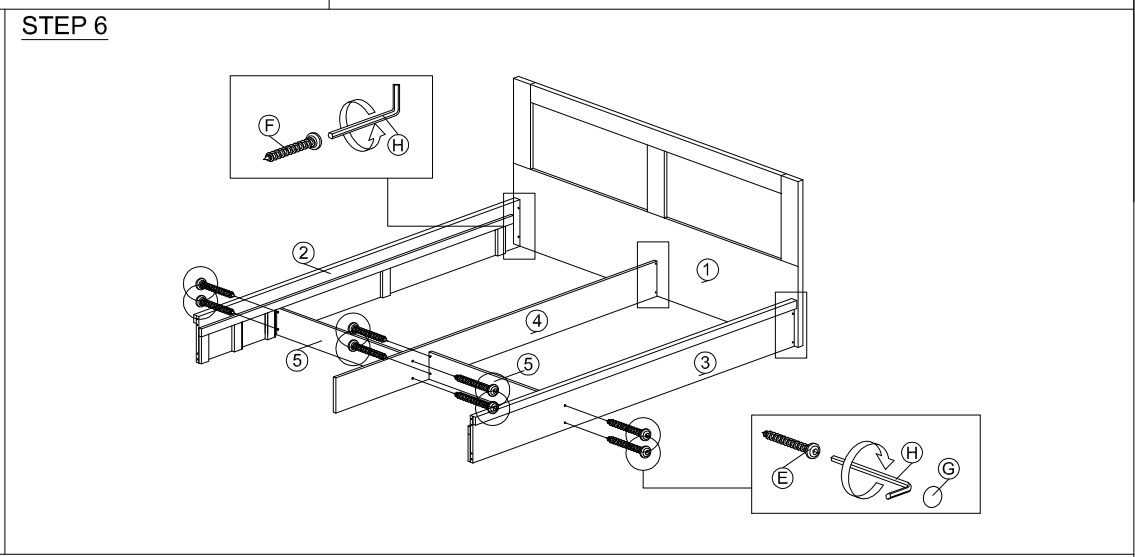
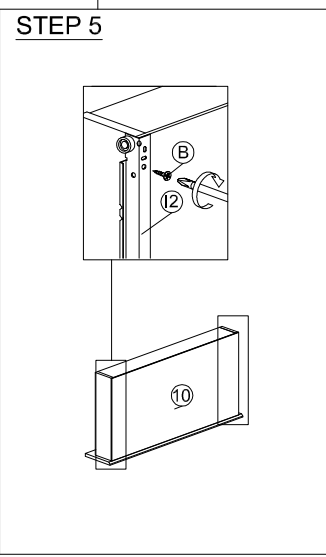
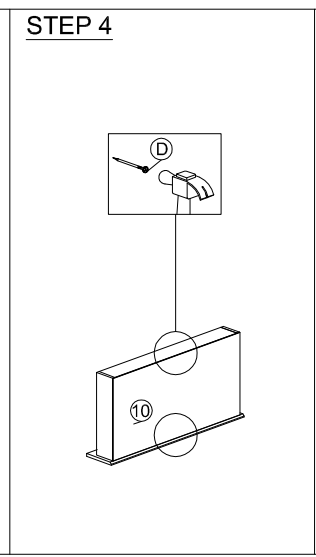
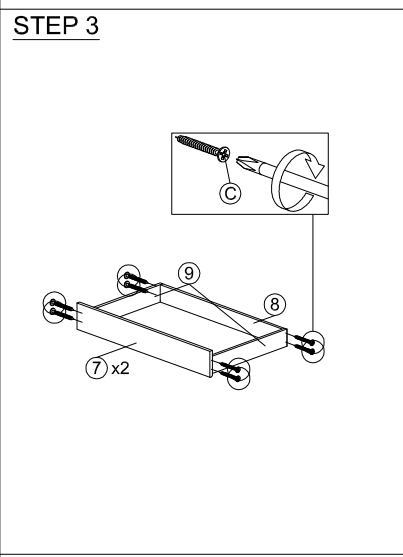
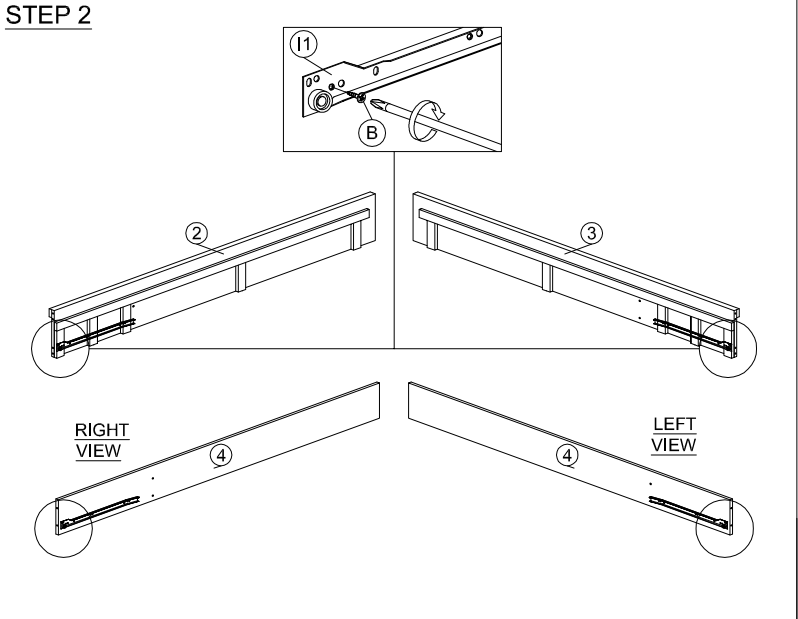
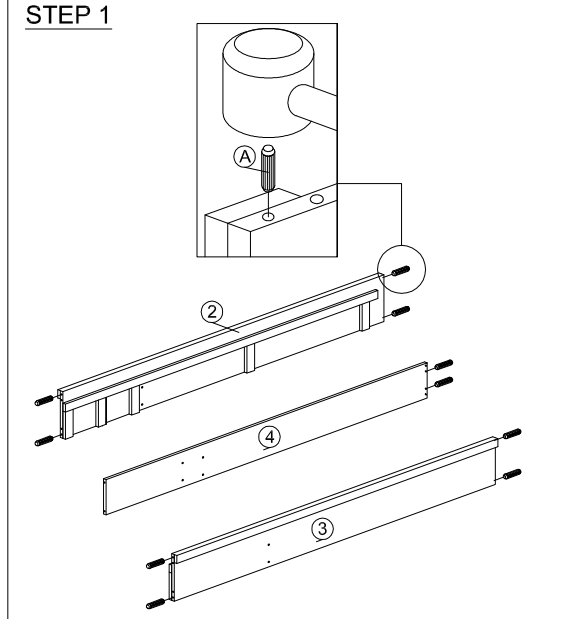
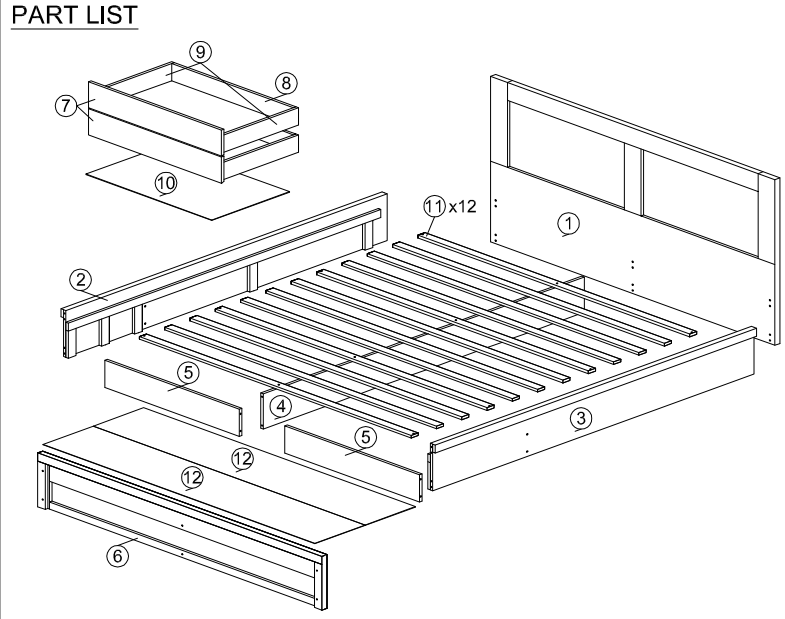


ASSEMBLY INSTRUCTION

MODEL : HM 312

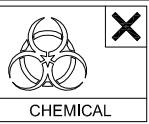
DESC: QUEEN BED WITH 2 DRAWERS

HARDWARE	A	B	C	D	E	F	G	H	I
	WOOD DOWEL 8 X 25	CB SCREW M3.5X16MM	CB SCREW M4X38MM	NAIL 5/8	CSK CAP WOOD M6X50MM	CSK CAP WOOD M6X70MM	MINIFIX CAP 20	L KEY 1	DRAWER SLIDE 18" 2
	10	24	28	20	10	10	20	1	2

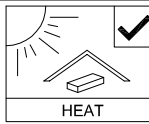




SOFT, DRY CLOTH



CHEMICAL



HEAT



KEEP DRY



HANDLE WITH CARE



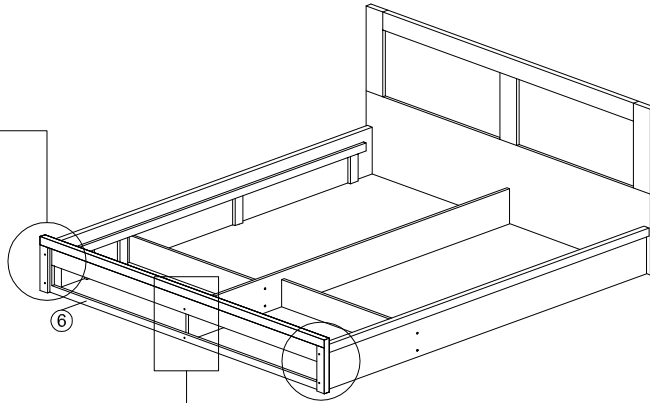
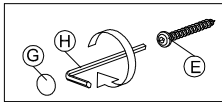
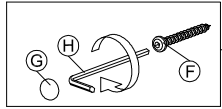
DO NOT USE KNIFE

ASSEMBLY INSTRUCTION

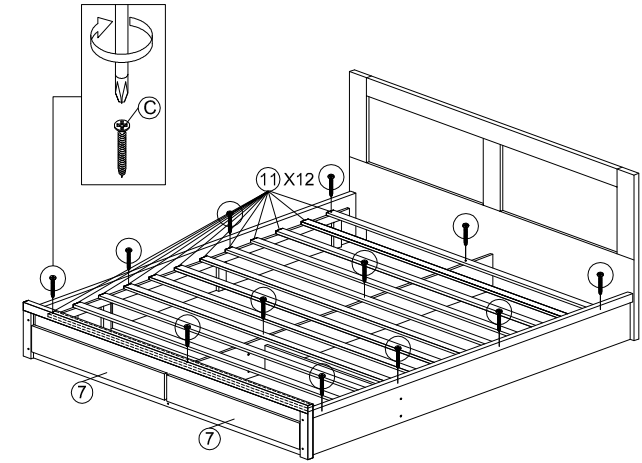
MODEL : HM 312

DESC: QUEEN BED WITH 2 DRAWERS

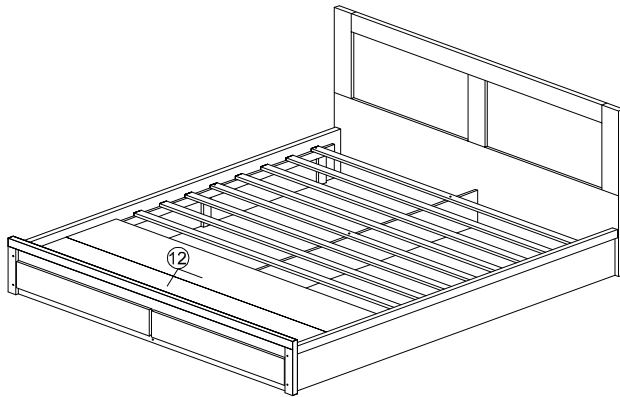
STEP 7



STEP 8



STEP 9



COMPLETED

