

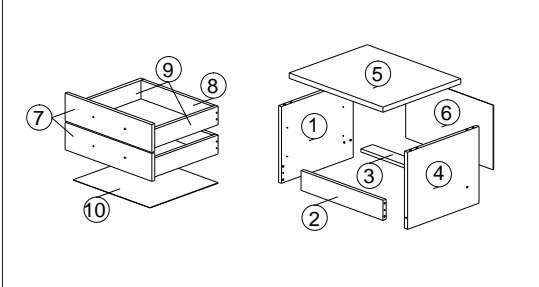
# ASSEMBLY INSTRUCTION

MODEL : HM 315

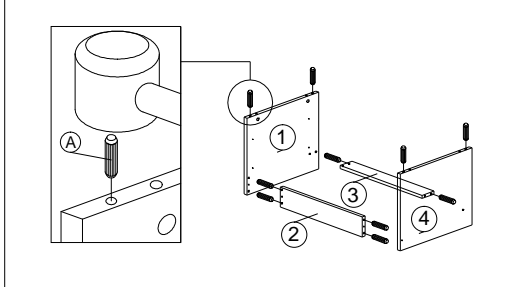
DESCRIPTION : NIGHT STAND

<b>HARDWARE</b>	<b>A</b>  WOOD DOWEL 8 X 25 1X10	<b>B</b>  CB SCREW M3.5X16MM 1X24	<b>C</b>  CB SCREW M4X38MM 1X16	<b>D</b>  CSK CAP M6X50MM 1X4	<b>E</b>  NAIL 5/8 1X25	<b>F</b>  L KEY 1X1	<b>G</b>  QUICKFIT CAP 1X8	<b>H</b>  MINIFIX 5654+5546 4 SETS	<b>I</b>  HANDLE AW 75-782A 160MM (METAL) 1X2	<b>J</b>  DRAWER SLIDE 14" 2 SETS
	<b>I2</b>  HANDLE SCREW M4X35MM 1X4									

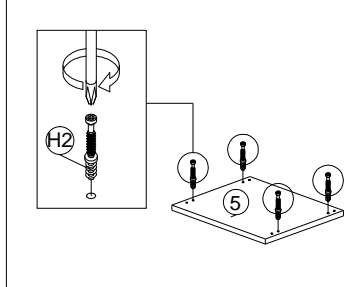
## PART LIST



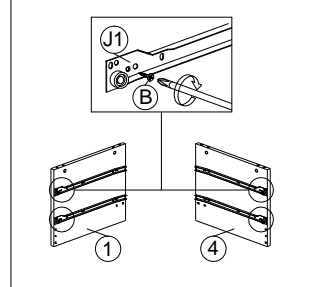
## STEP 1



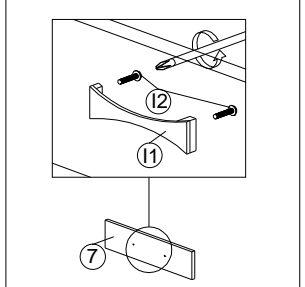
## STEP 2



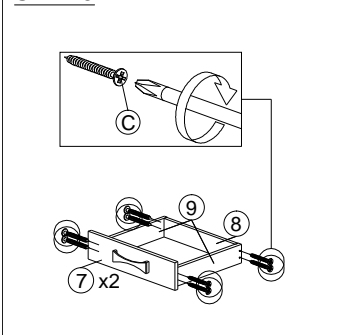
## STEP 3



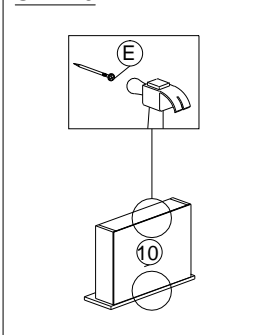
## STEP 4



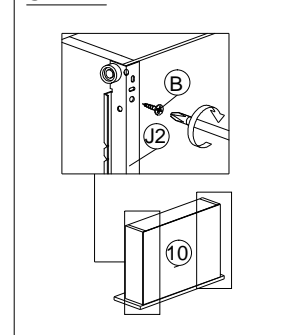
## STEP 5



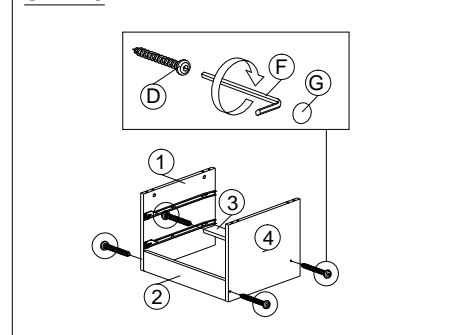
## STEP 6



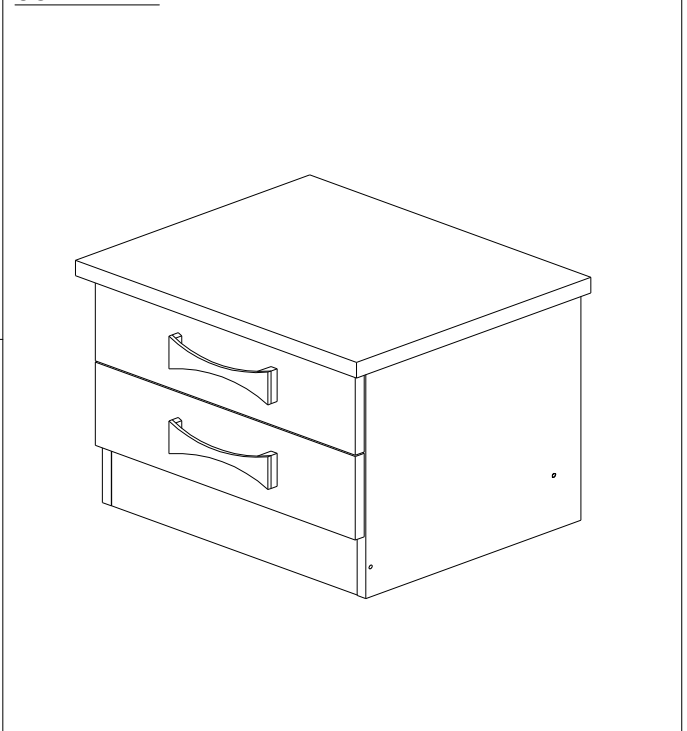
## STEP 7



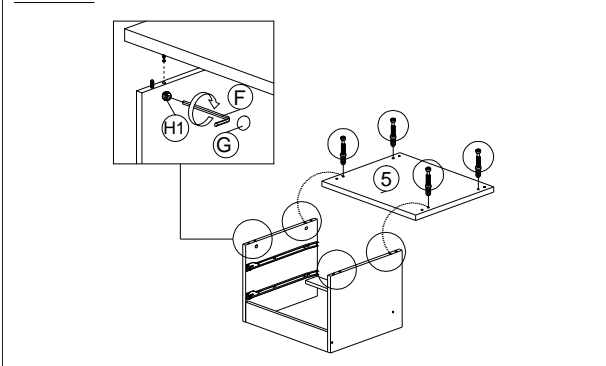
## STEP 8



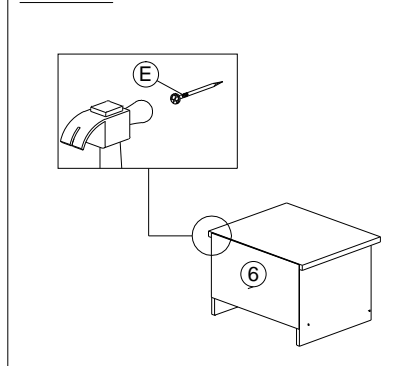
## COMPLETED



## STEP 9



## STEP 10



## STEP 11

