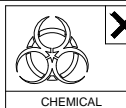
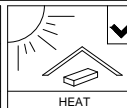




SOFT, DRY CLOTH



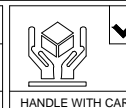
CHEMICAL



HEAT



KEEP DRY



HANDLE WITH CARE



DO NOT USE KNIFE

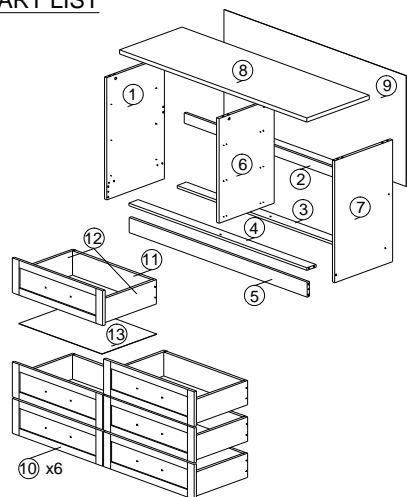
ASSEMBLY INSTRUCTION

MODEL : HM 317

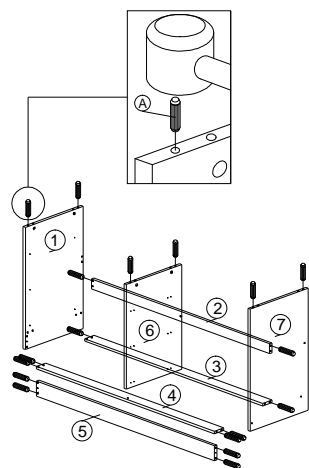
DESCRIPTION : 6 DRAWER DRESSES

HARDWARE	A	B	C	D	E	F	G	H	I	J	K		
	WOOD DOWEL 8 X 25 1X18	CB SCREW M3.5X16MM 1X72	CB SCREW M4X38MM 1X48	CSK CAP M6X50MM 1X9	NAIL 5/8 1X88	L KEY 1X1	MINIFIX CAP 1X6	MINIFIX (HOUSING) 6 SETS	HANDLE AW 75-782A 160MM (METAL) 1X6	HANDLE SCREW M4X25MM 1X12	PVC NAIL WITH PIN 5/8 1X5	DRAWER SLIDE 14" 6 SETS	

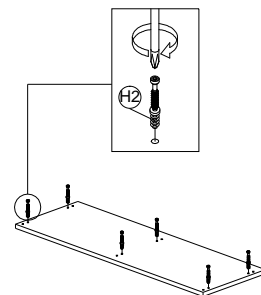
PART LIST



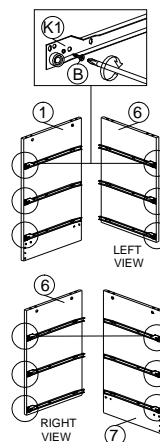
STEP 1



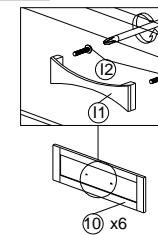
STEP 2



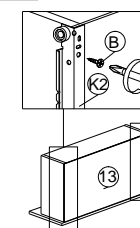
STEP 3



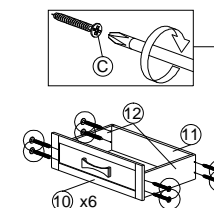
STEP 4



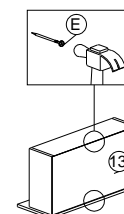
STEP 6



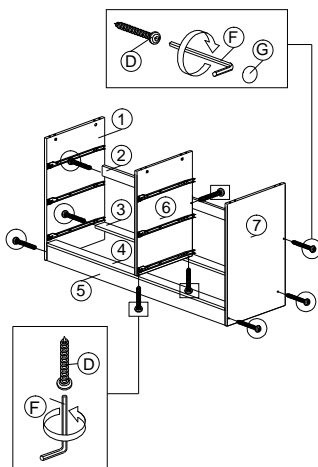
STEP 5



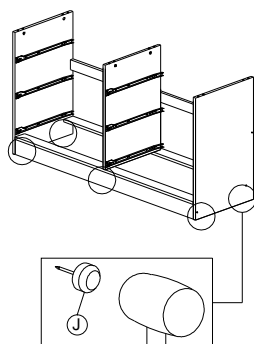
STEP 7



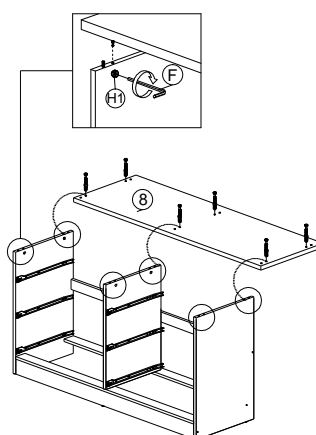
STEP 8



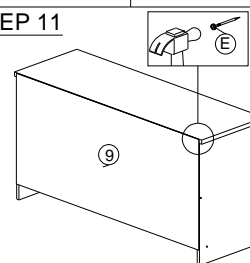
STEP 9



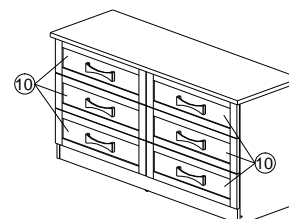
STEP 10



STEP 11



STEP 12



COMPLETED

