

ASSEMBLY INSTRUCTION

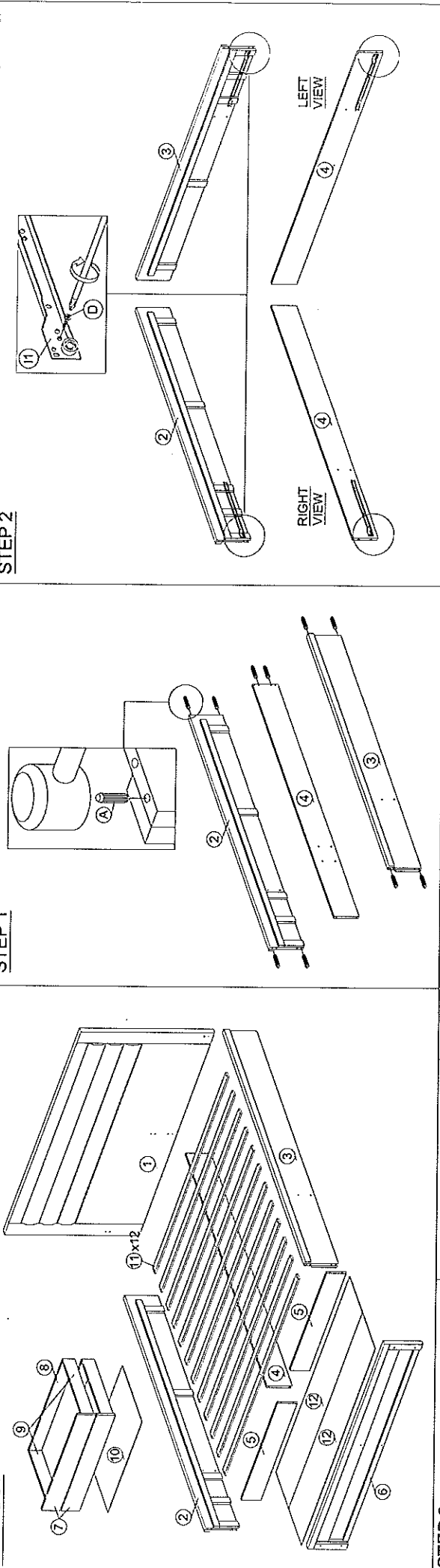
MODEL : HM 322.02

DESC: QUEEN BED WITH 2 DRAWERS

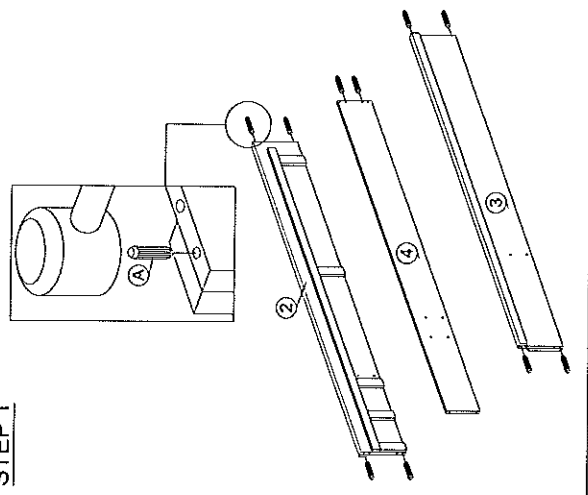
SOFT DRY CLOTH	CHEMICAL	HEAT	KEEP DRY	HANDLE WITH CARE	DO NOT USE KNIFE	

HARDWARE	
A	WOOD DOWEL 8 X 25 10
B	CSK CAP 70MM 10
C	CSK CAP 50MM 10
D	CSK SCREW 16X24/20MM 24
E	CSK SCREW 16X28/20MM 28
F	MINIFIX CAP 20
G	L-KEY 1
H	NAIL 5/8 20
I	DRAWER SLIDE 1" 2

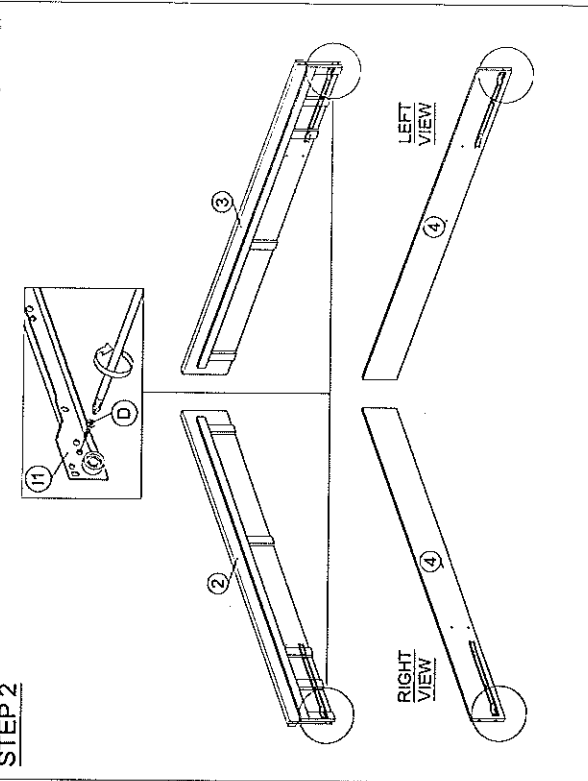
PART LIST



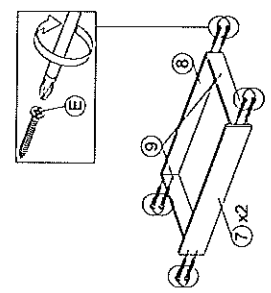
STEP 1



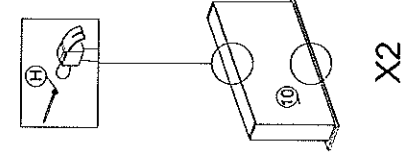
STEP 2



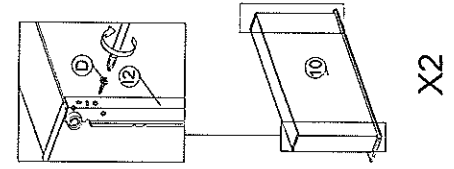
STEP 3



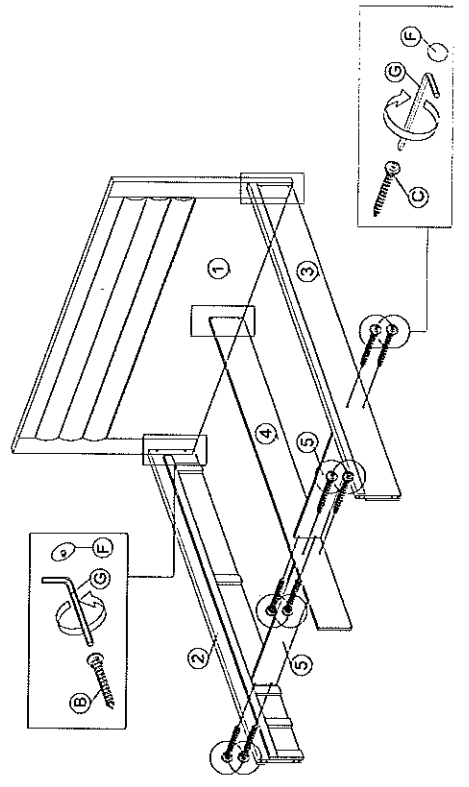
STEP 4



STEP 5

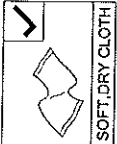


STEP 6

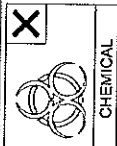




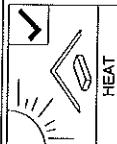
STEP 7



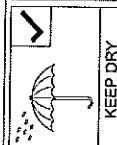
SOFT, DRY CLOTH



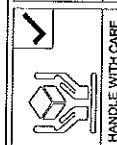
CHEMICAL



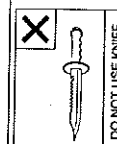
HEAT



KEEP DRY



HANDLE WITH CARE



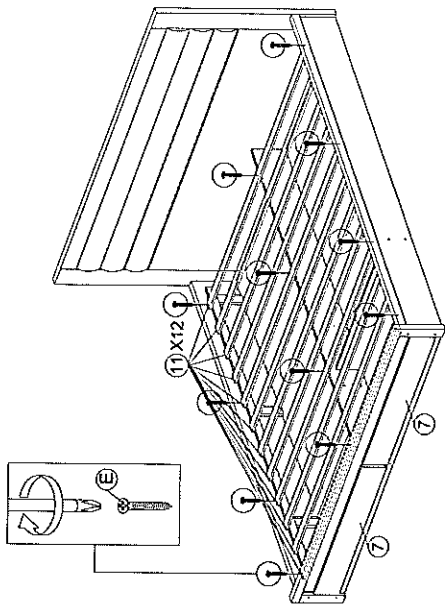
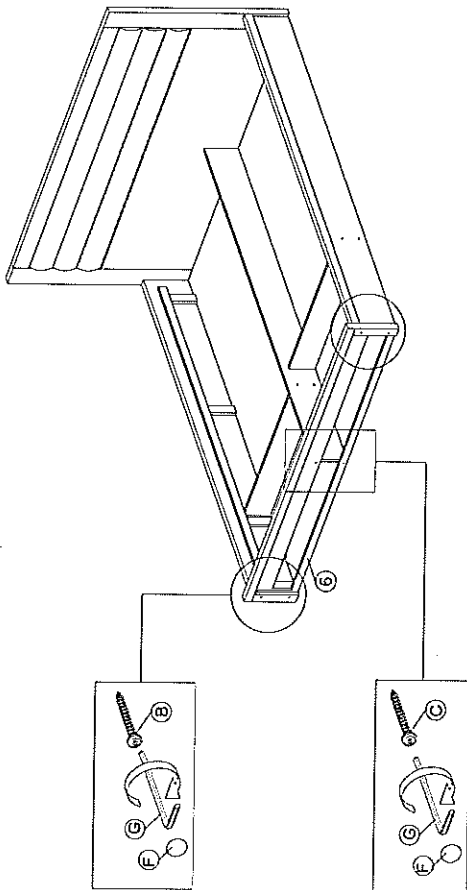
DO NOT USE KNIFE

ASSEMBLY INSTRUCTION

MODEL : HM 322.02

DESC: QUEEN BED WITH 2 DRAWERS

STEP 8



STEP 9

COMPLETED

