

ASSEMBLY INSTRUCTION

MODEL : HM 320

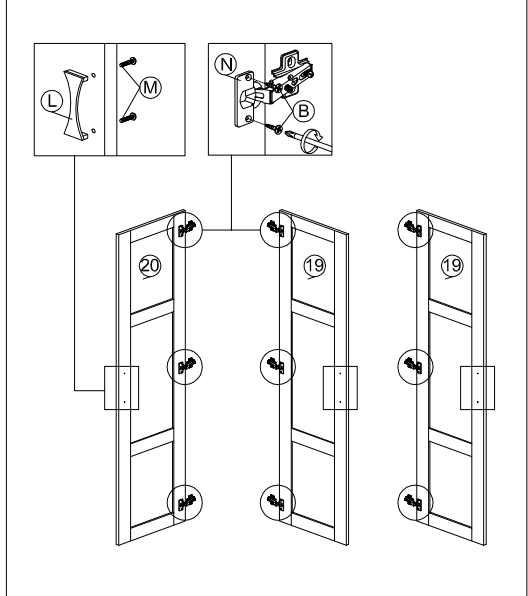
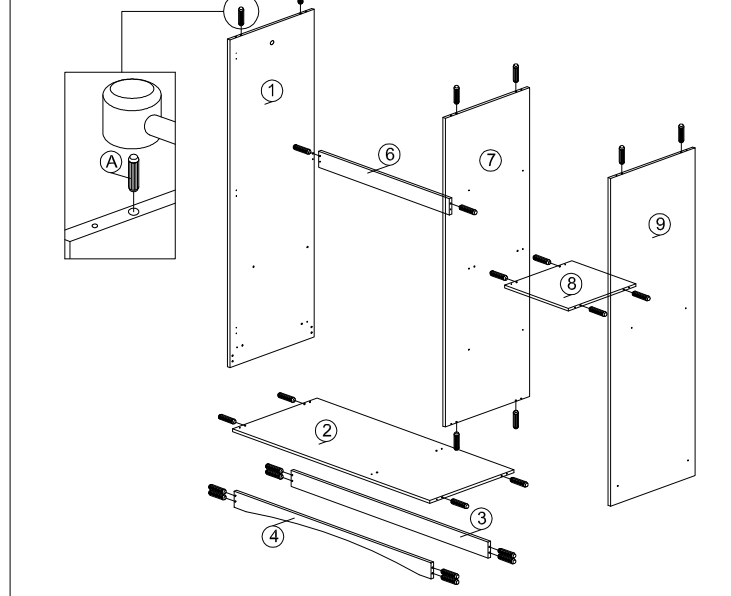
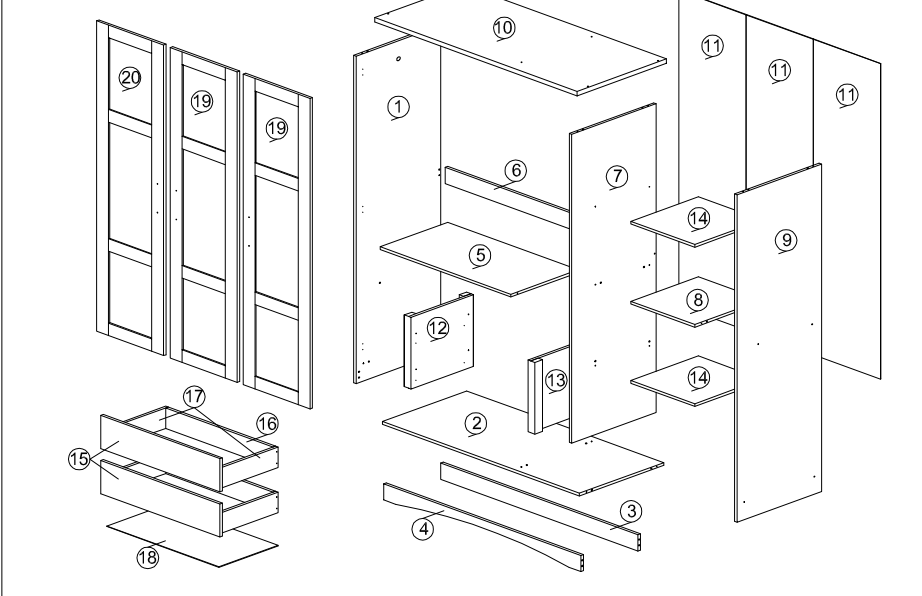
DESCRIPTION : 3 DOORS WARDROBE

HARDWARE	A	B	C	D	E	F	G	H	I	J	K	L	M	N	O	P	
	WOOD DOWEL 8 X 25 1X26	CB SCREW M3.5X16MM 1X64	CB SCREW M4X38MM 1X16	CB SCREW M4X50MM 1X8	CSK CAP WOOD M6X50MM 1X22	MINIFIX CAP 1X22	NAIL 5/8 1X70	L KEY 1X1	2 PIN STOPPER 1X1	METAL SHELF SUPPORT 1X8	L BRACKET M502 1X2	HANDLE AW 75-782A -160MM 1X3	HANDLE SCREW M4X19MM 1X6	HINGES 5/8 9 SETS	DRAWER SLIDE 14" 2 SETS	25MM PIPE -792MM 1X1	

PART LIST

STEP 1

STEP 2



STEP 3

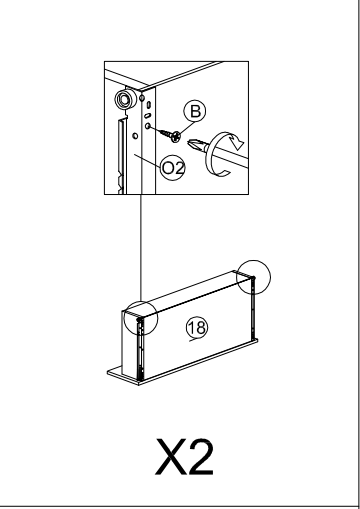
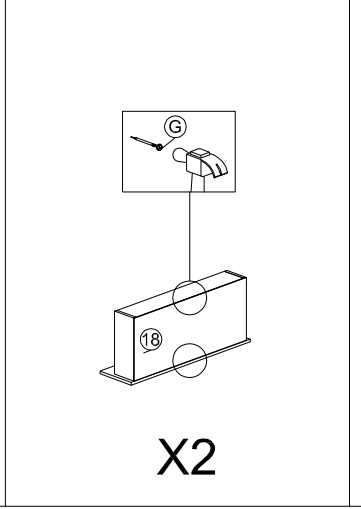
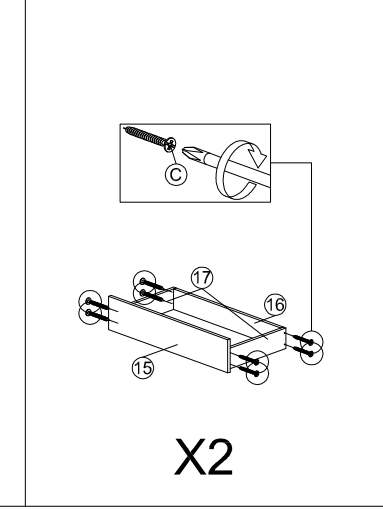
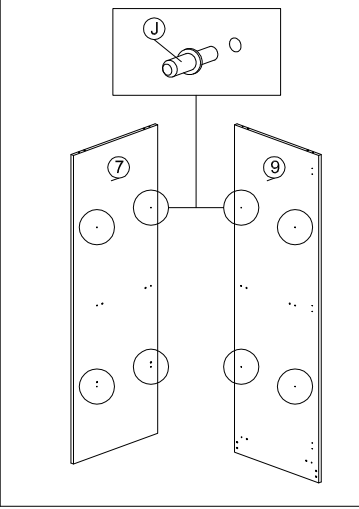
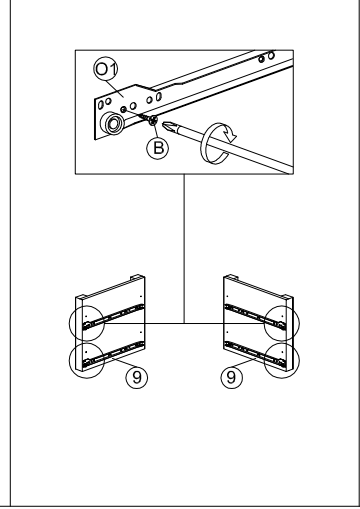
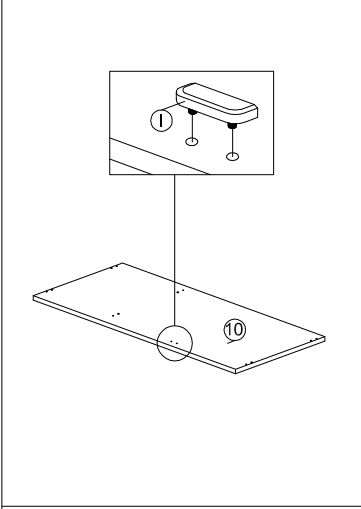
STEP 4

STEP 5

STEP 6

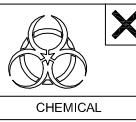
STEP 7

STEP 8

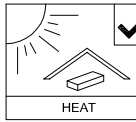




SOFT, DRY CLOTH



CHEMICAL



HEAT



KEEP DRY



HANDLE WITH CARE



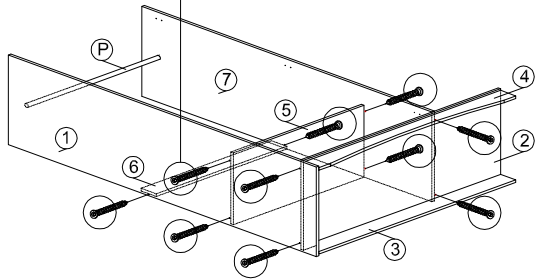
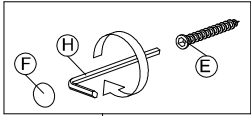
DO NOT USE KNIFE

ASSEMBLY INSTRUCTION

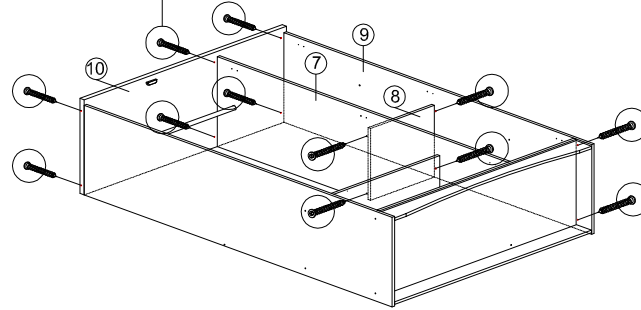
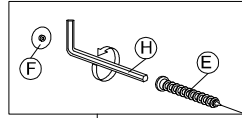
MODEL : HM 320

DESCRIPTION : 3 DOORS WARDROBE

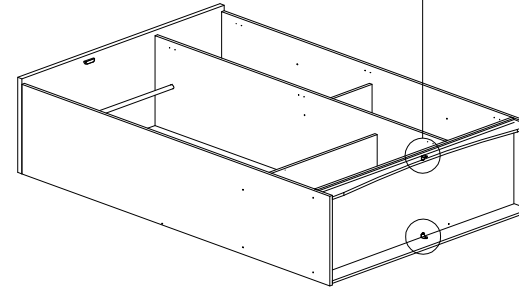
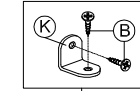
STEP 9



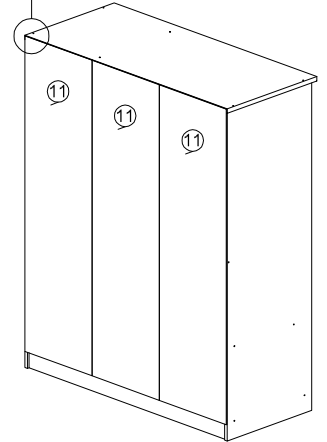
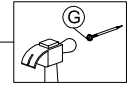
STEP 10



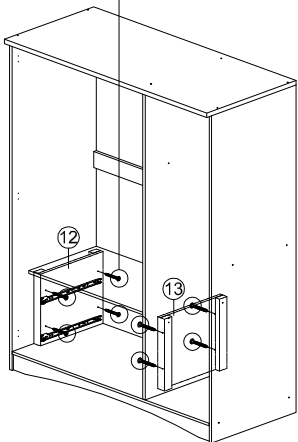
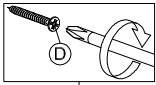
STEP 11



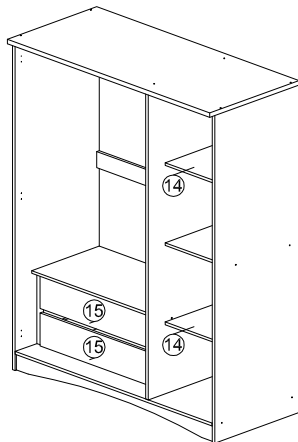
STEP 12



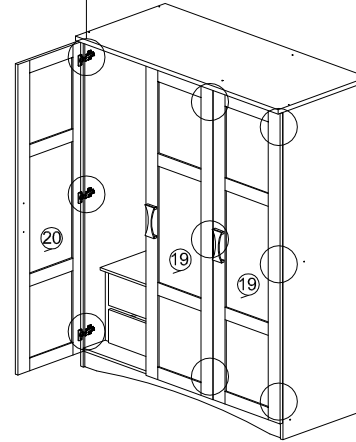
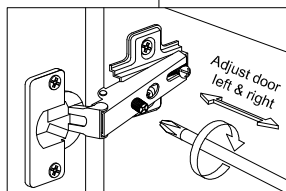
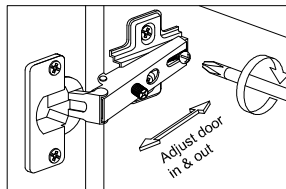
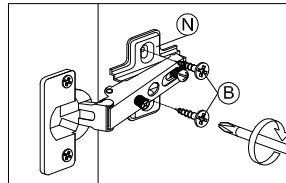
STEP 13



STEP 14



STEP 15



COMPLETED

