

# ASSEMBLY INSTRUCTION

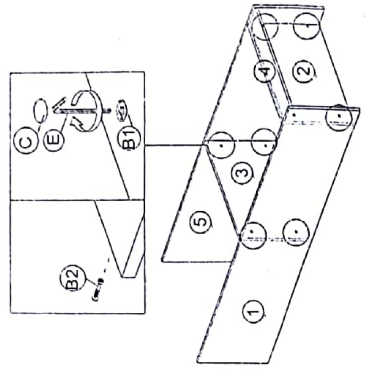
DESCRIPTION : FILLING CABINET

MODEL : UM 2027.01

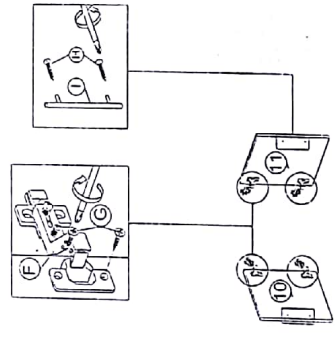
SOFT DRY CLOTH	CHEMICAL	HEAT	KEEP DRY	HANDLE WITH CARE	DO NOT USE KNIFE	

PART LIST		STEP 1		STEP 2		STEP 3		STEP 4	
A	WAXY DONUT R X 25	16							
B	B1 B2 MINIFX 504+5046	12 SETS							
C	QUICKFIT CAP	12							
D	METAL SHELF SUPPORT	12							
E	L KEY	1							
F	HINGES 7/8	4 SETS							
G	CB SCREW M3.5X16MM	16							
H	CB SCREW MAX25MM	4							
I	HANDLE 128-12	2							
J	NAIL 5/8	30							

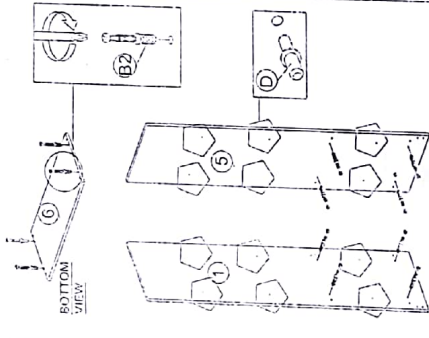
STEP 4



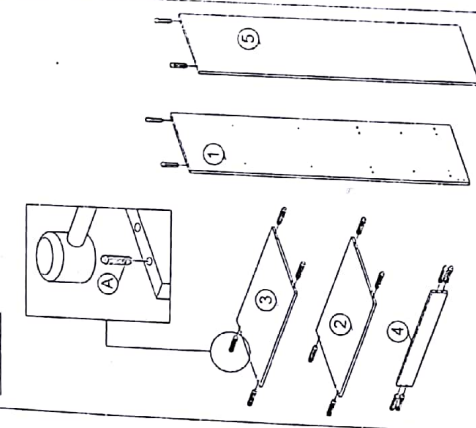
STEP 3



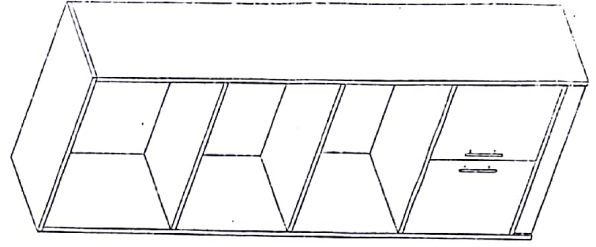
STEP 2



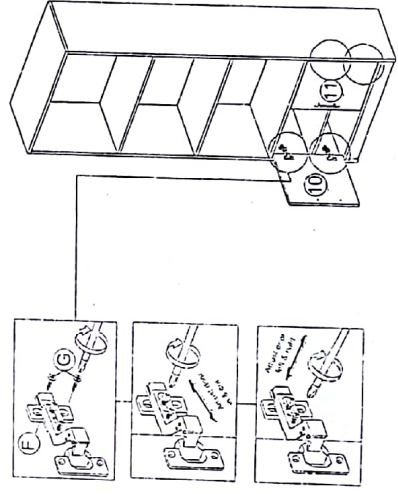
STEP 1



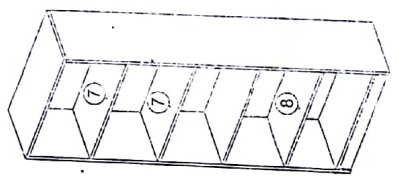
COMPLETED



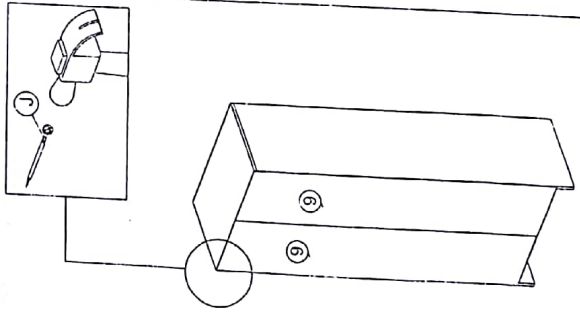
STEP 8



STEP 7



STEP 6



STEP 5

