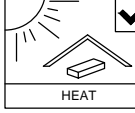




SOFT, DRY CLOTH



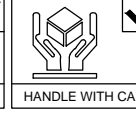
CHEMICAL



HEAT



KEEP DRY



HANDLE WITH CARE



DO NOT USE KNIFE

ASSEMBLY INSTRUCTION

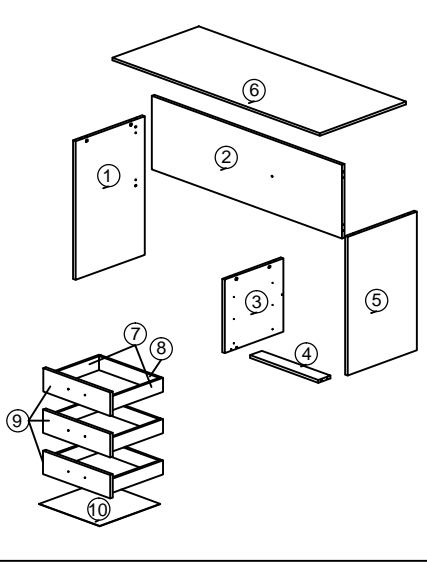
MODEL : HM 2029.02

DESCRIPTION : OFFICE TABLE

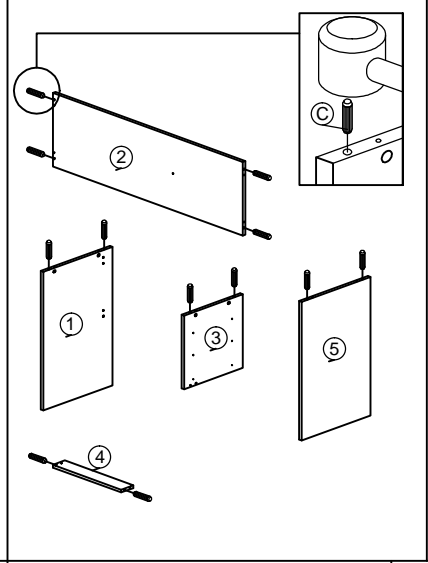
HARDWARE

A A1 A2 MINIFIX CAP 5654+5546 6 SETS	B MINIFIX CAP 13	C WOOD DOWEL 8 X 25 12	D CB SCREW M3.5X16MM 36	E CB SCREW M4X38MM 30	F HANDLE 128-12 3	G CSK CAP M6X50MM 7	H ALLEN KEY 1	I NAIL 5/8 30	J J1 J2 DRAWER SLIDE 12" 3 SETS
---	-----------------------------------	---	--	--	------------------------------------	--------------------------------------	--------------------------------	--------------------------------	--

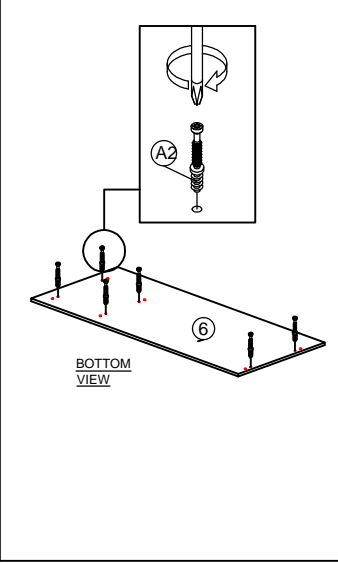
PART LIST



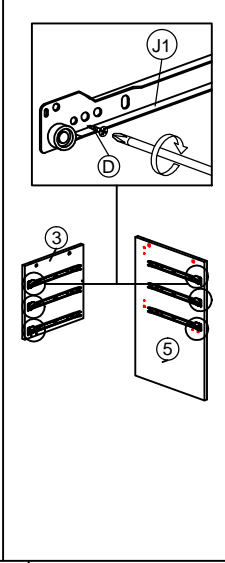
STEP 1



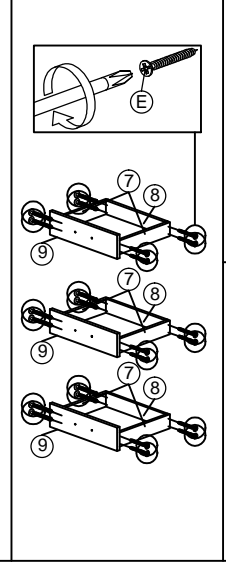
STEP 2



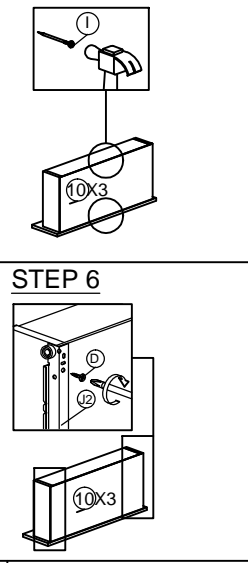
STEP 3



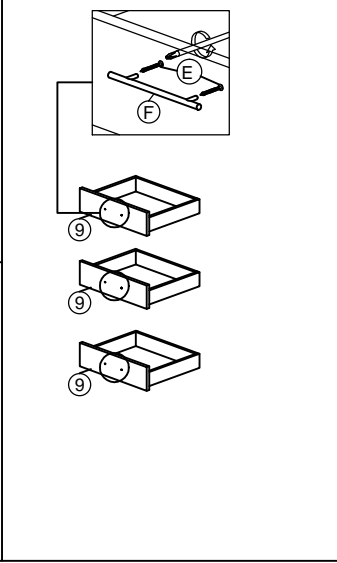
STEP 4



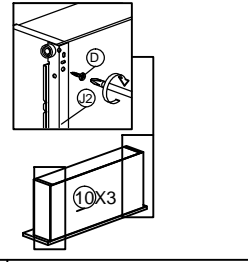
STEP 5



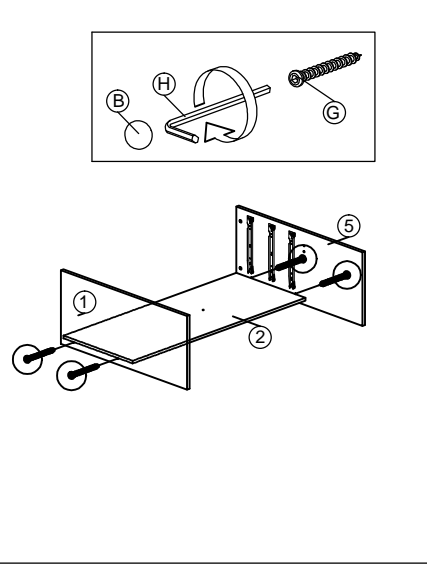
STEP 7



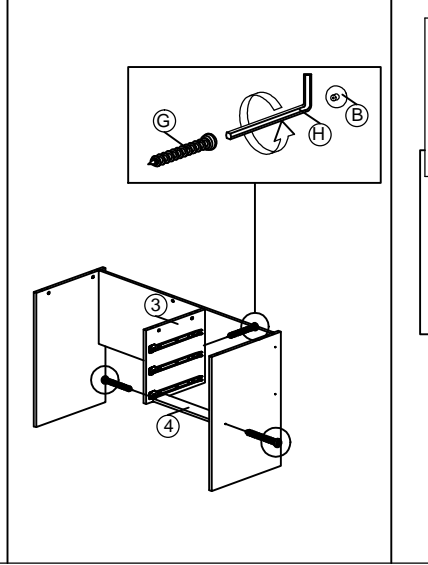
STEP 6



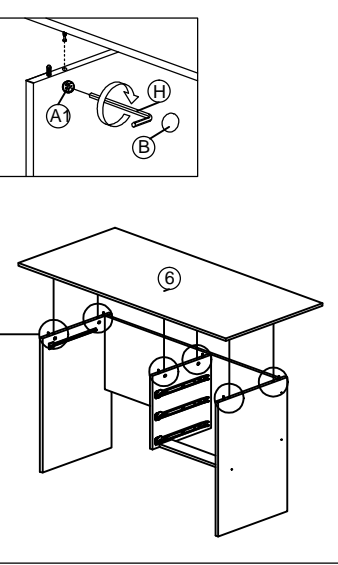
STEP 8



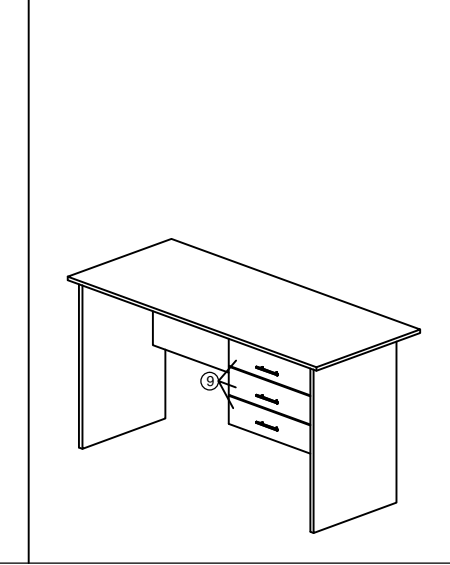
STEP 9



STEP 10



STEP 11



COMPLETED

