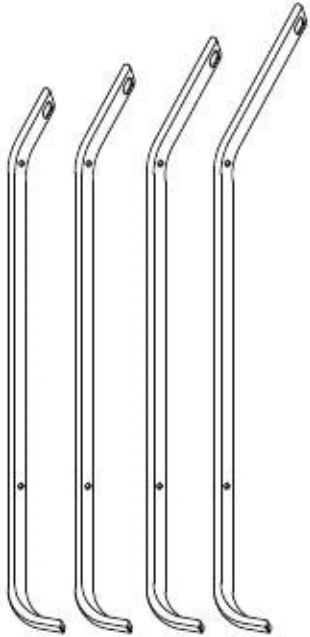


Assembly Instruction

1.
4PCS



4.
4PCS



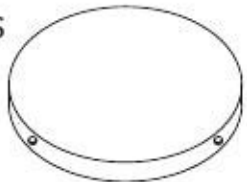
5.
4PCS



6.
1PCS



2.
1PCS



3.
1PCS

