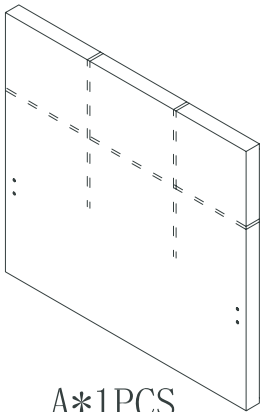
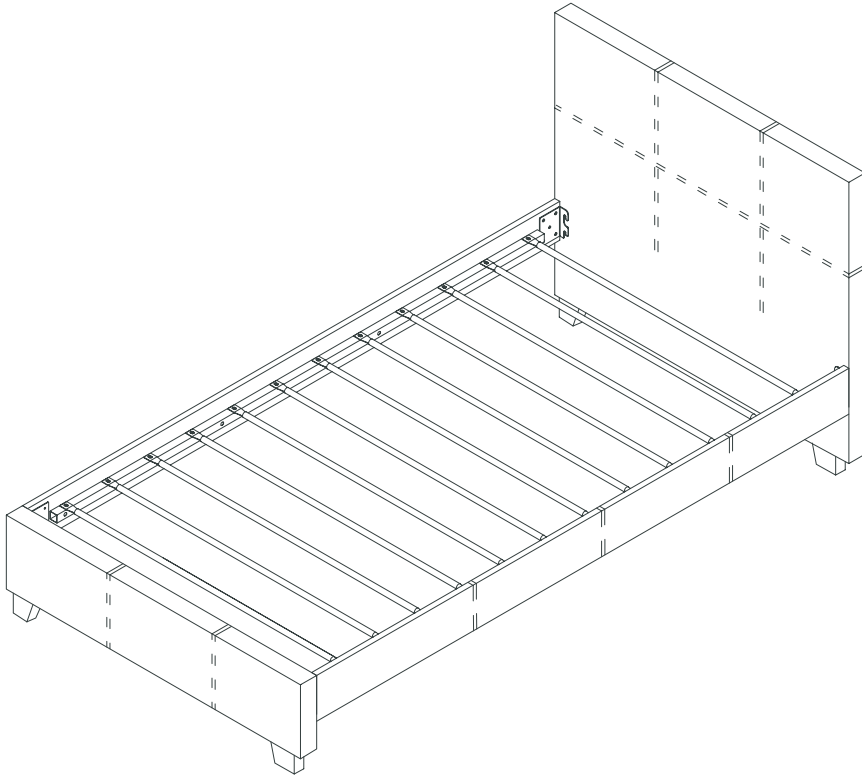
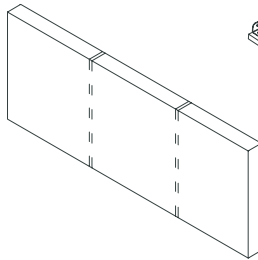


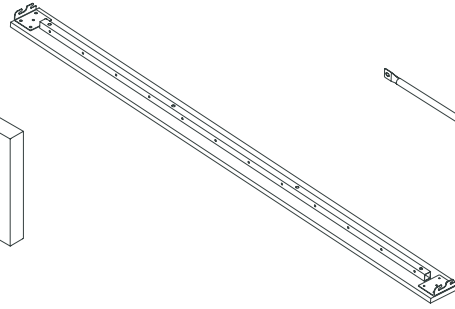
ASSEMBLY INSTRUCTIONS



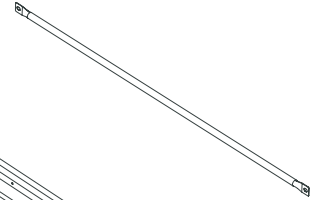
A*1PCS



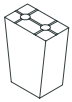
B*1PCS



C*2PCS



D*12PCS



E*4PCS



M8*30MM

F* 8 PCS



1/4"*16MM

G*24PCS



M6*70MM

H*8PCS



∅20*∅8.5

I*8PCS



∅13*∅6.5

J*8PCS



1/4"

K*1PCS



M8

L*1PCS

