

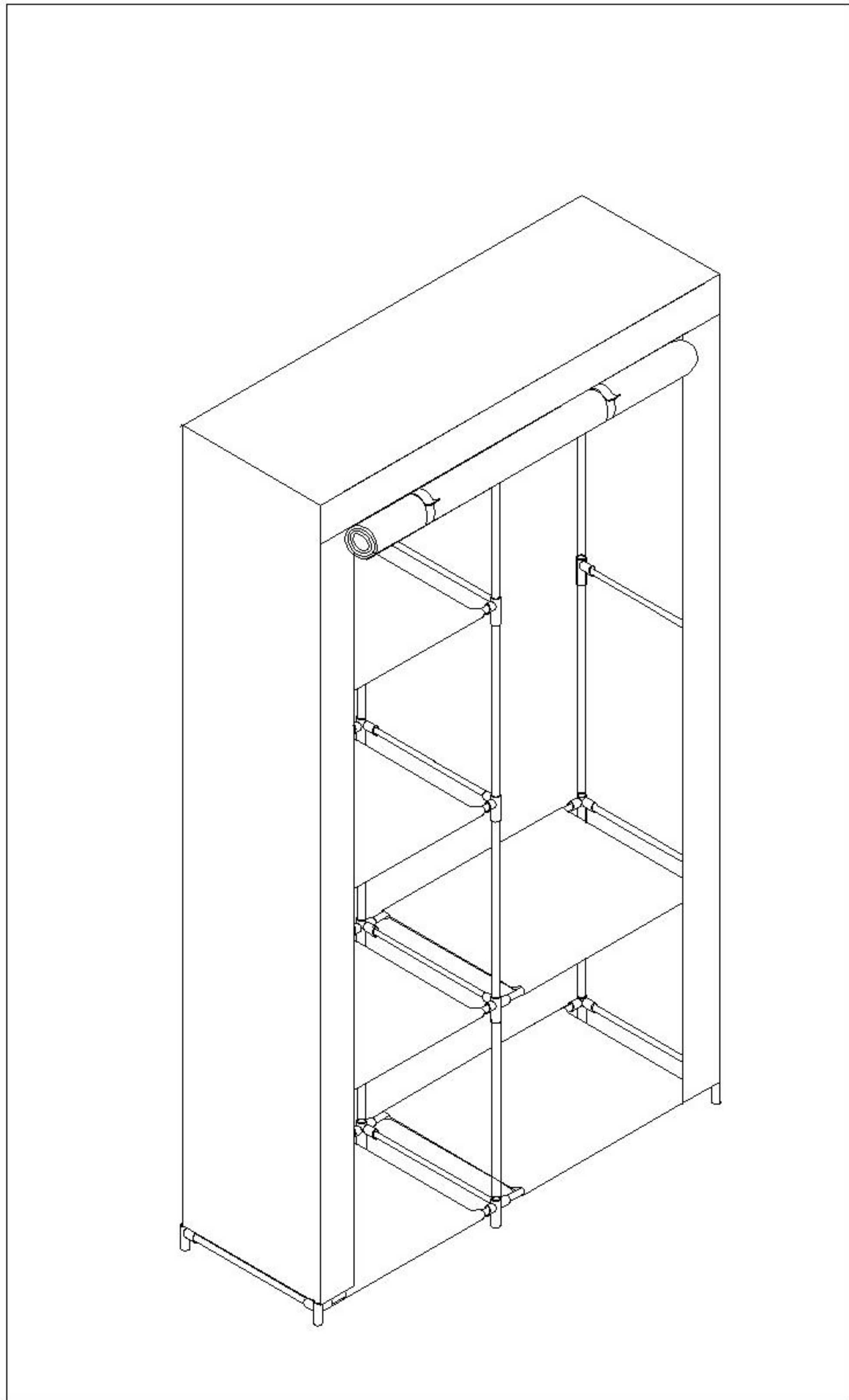
Storage Wardrobe

Item# HM246.01 / HM246.02 / HM246.01

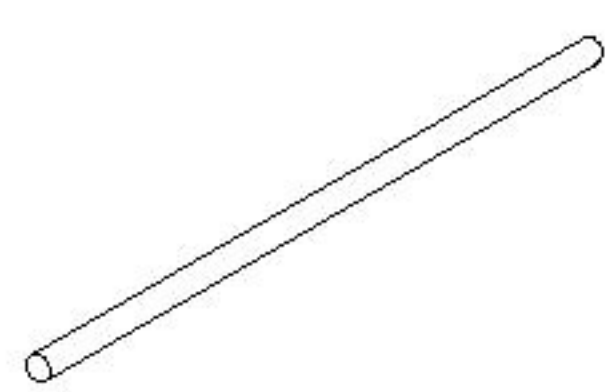
Assembly Instruction

Notes:

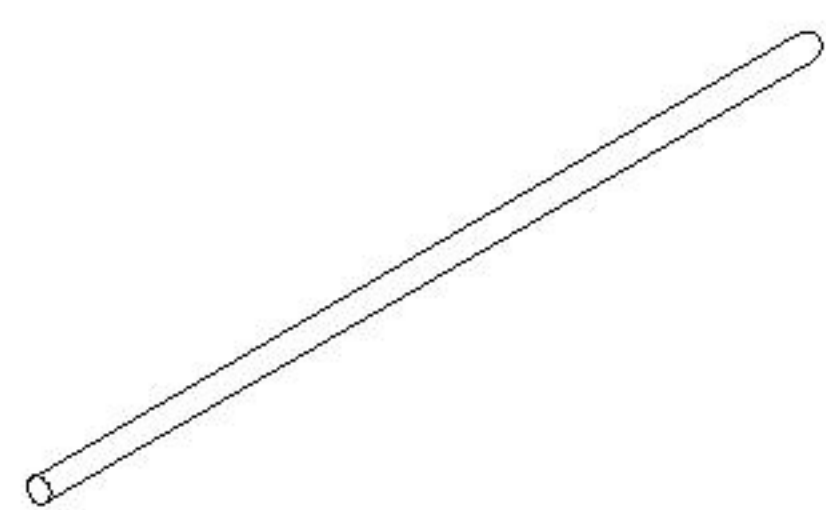
1. Be careful of sharp edges on the tubes ;
2. Please check the parts quantity;
3. Please assemble according to assembly instructions ;
4. Please only clean the cover with a dry cloth ;
5. Please keep away from direct sunlight and only place in a dry environment .



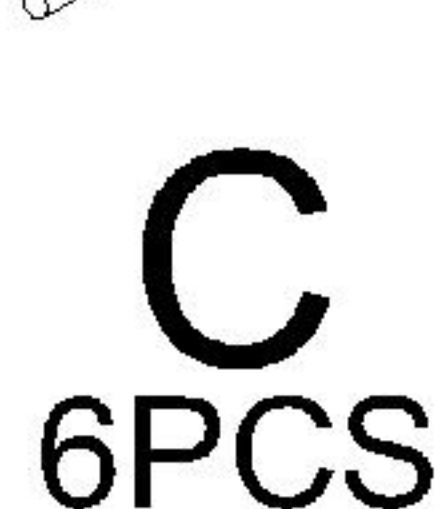
Parts Identification



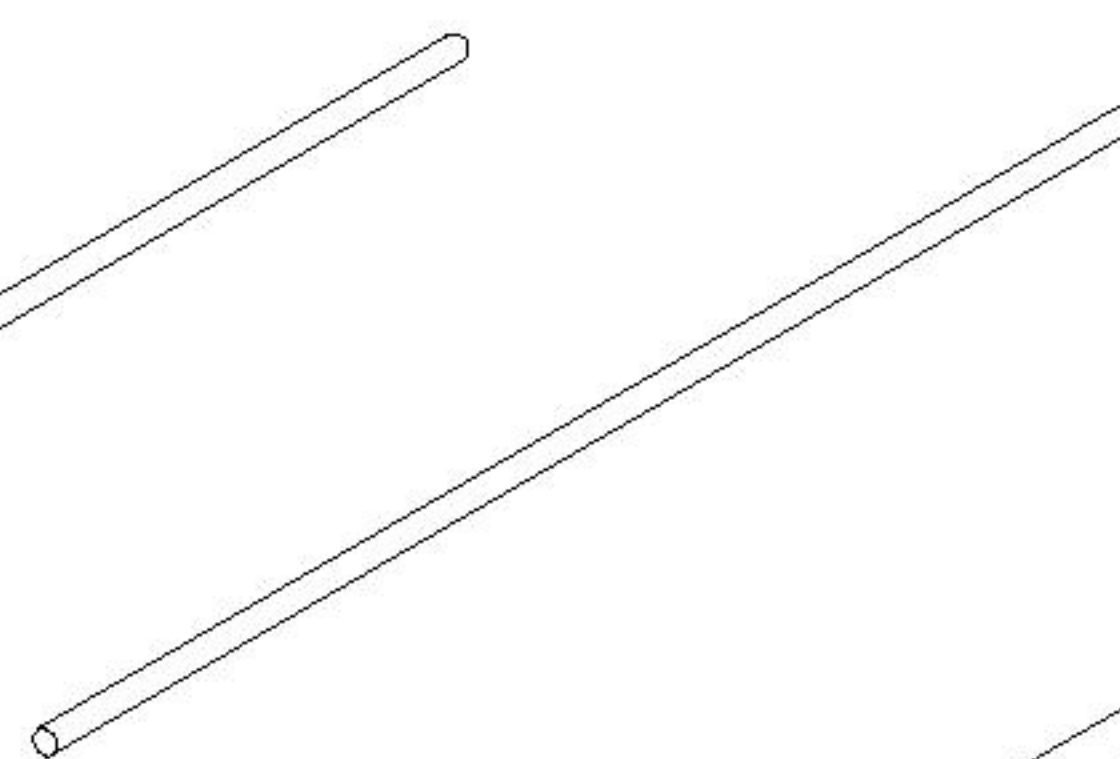
A
28PCS



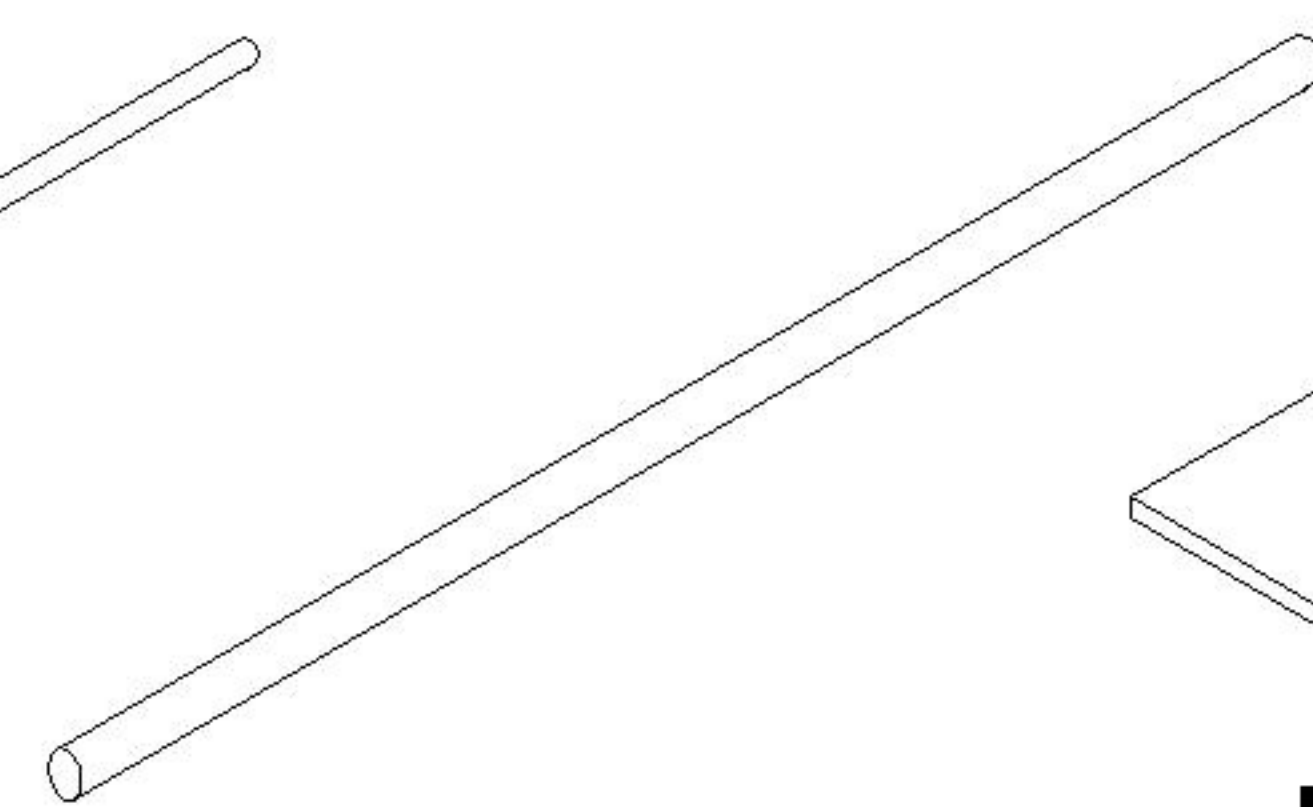
B
14PCS



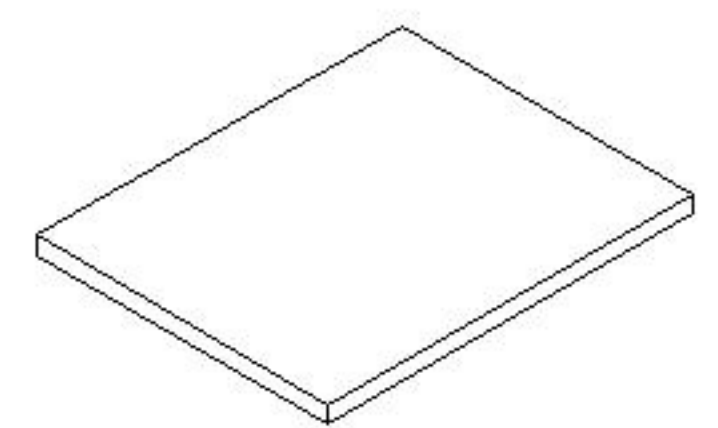
C
6PCS



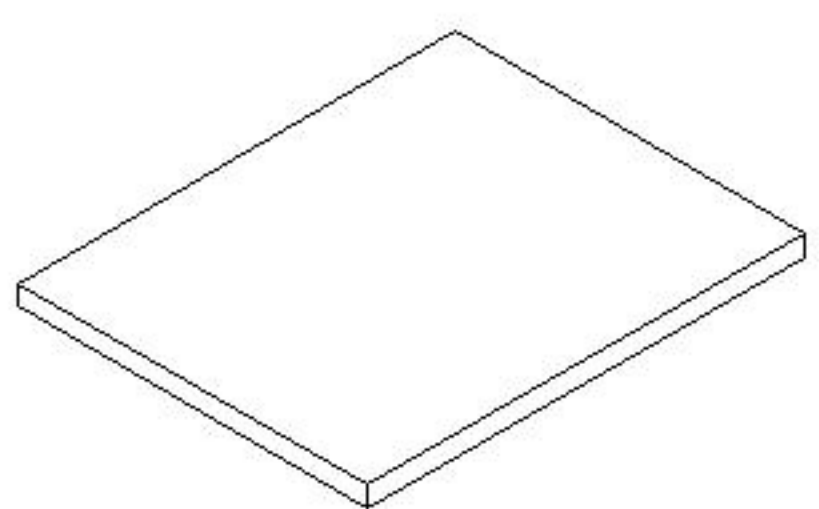
D
4PCS



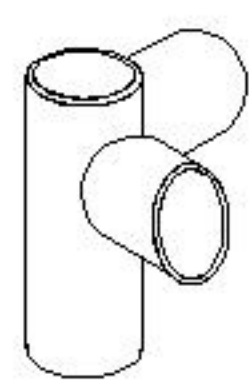
E
1PC



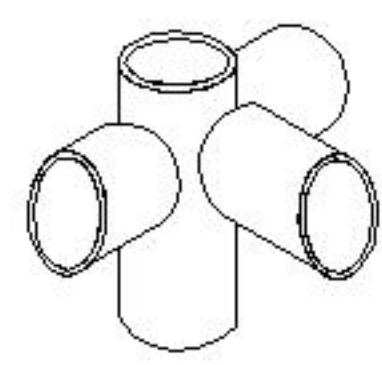
F
4PCS



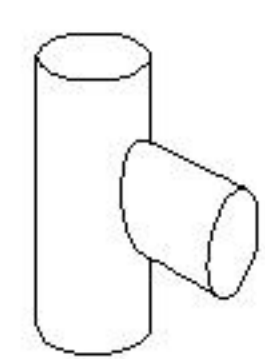
G
2PCS



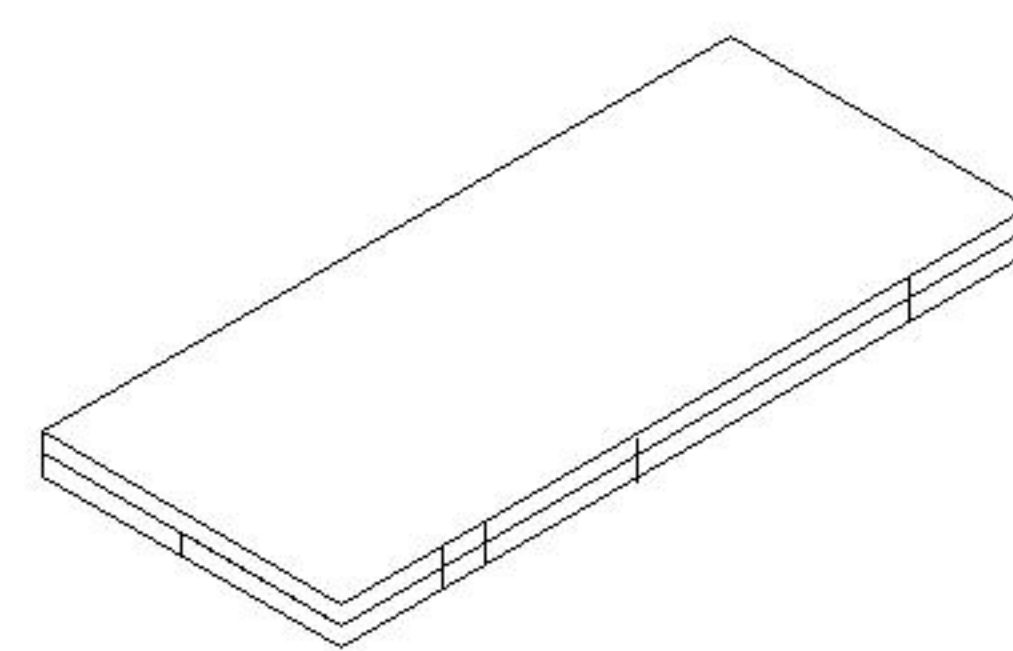
H
20PCS



I
6PCS



J
2PCS

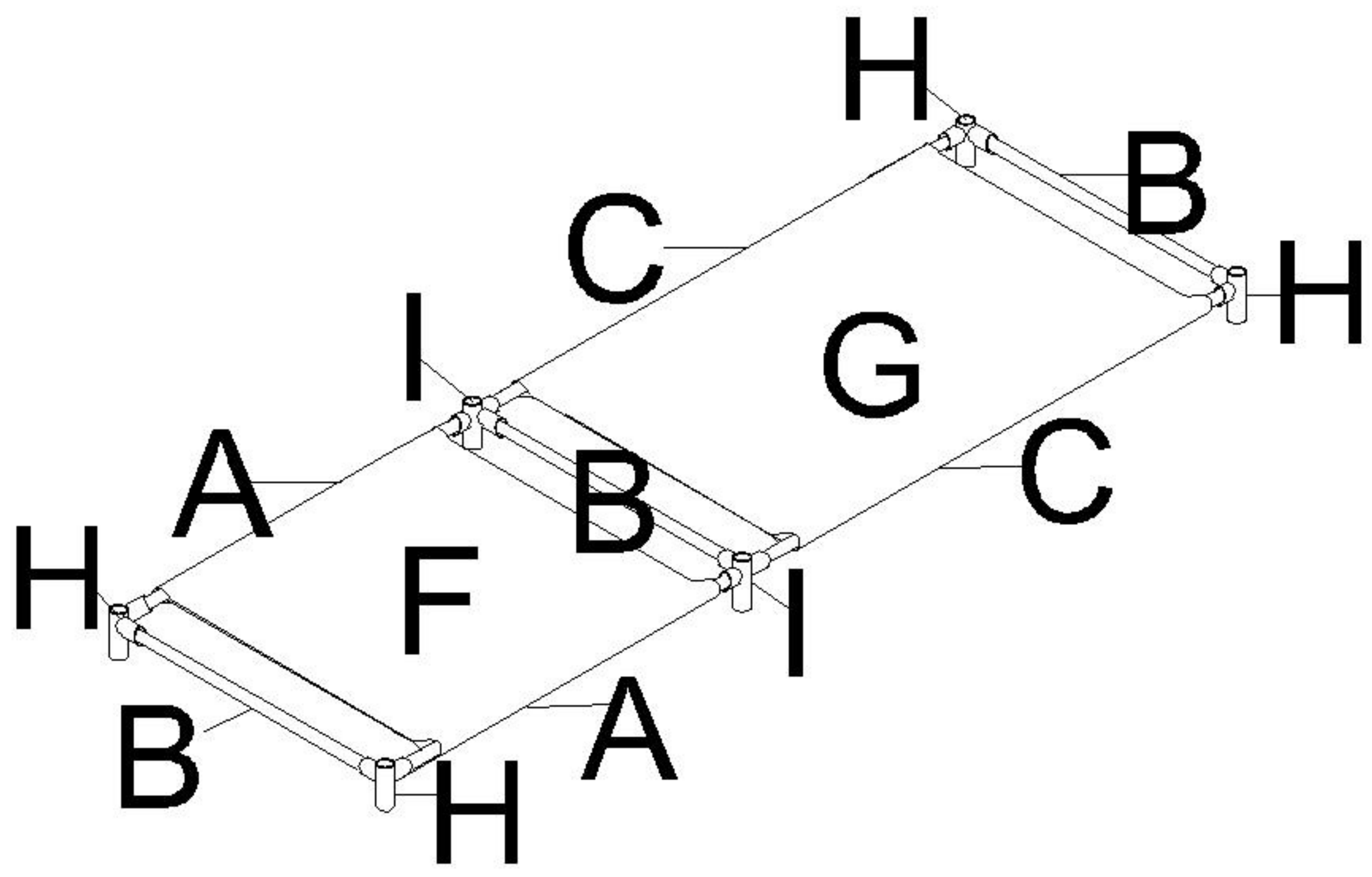


K
1PC



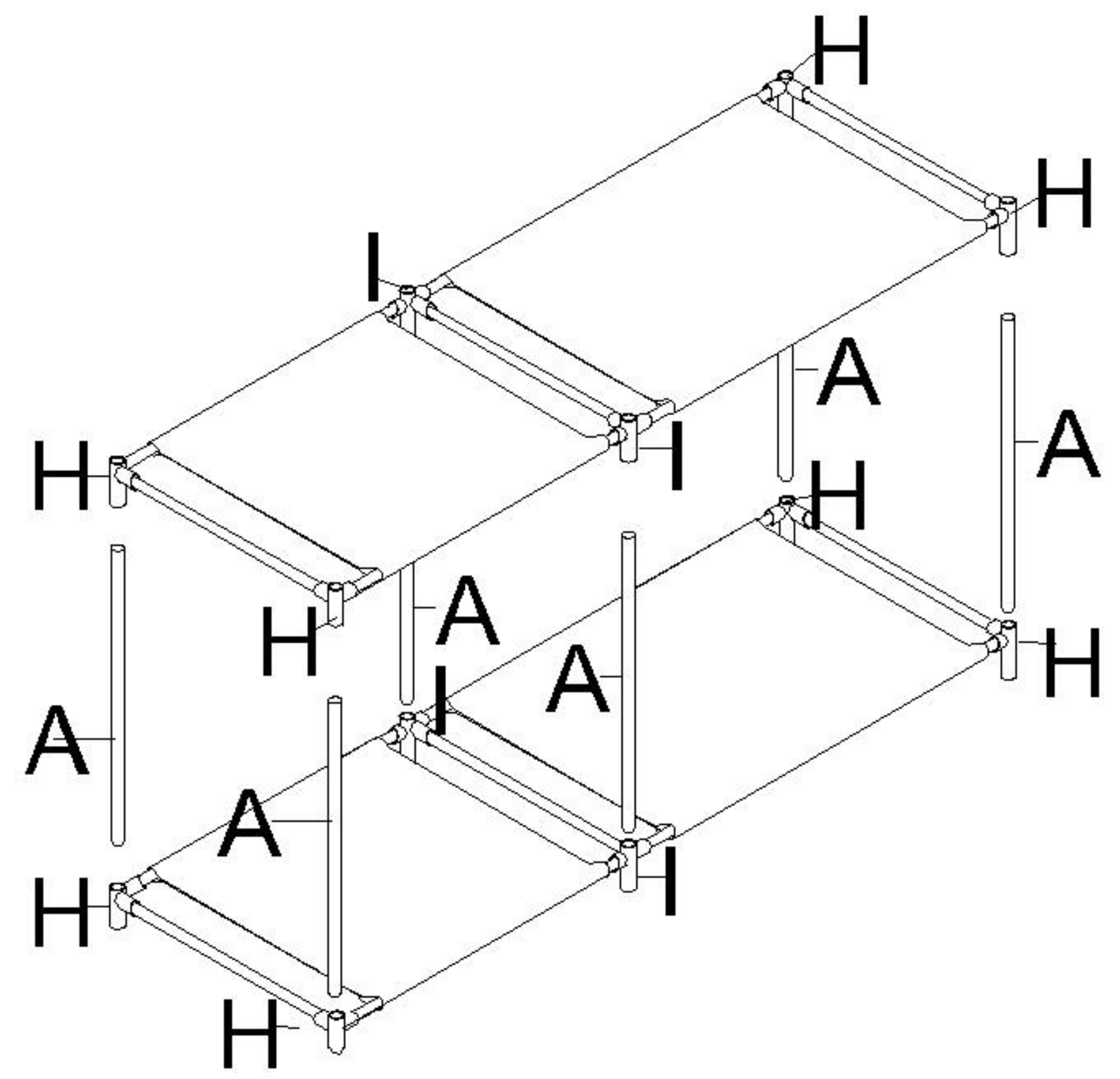
L
2PCS

Step 1



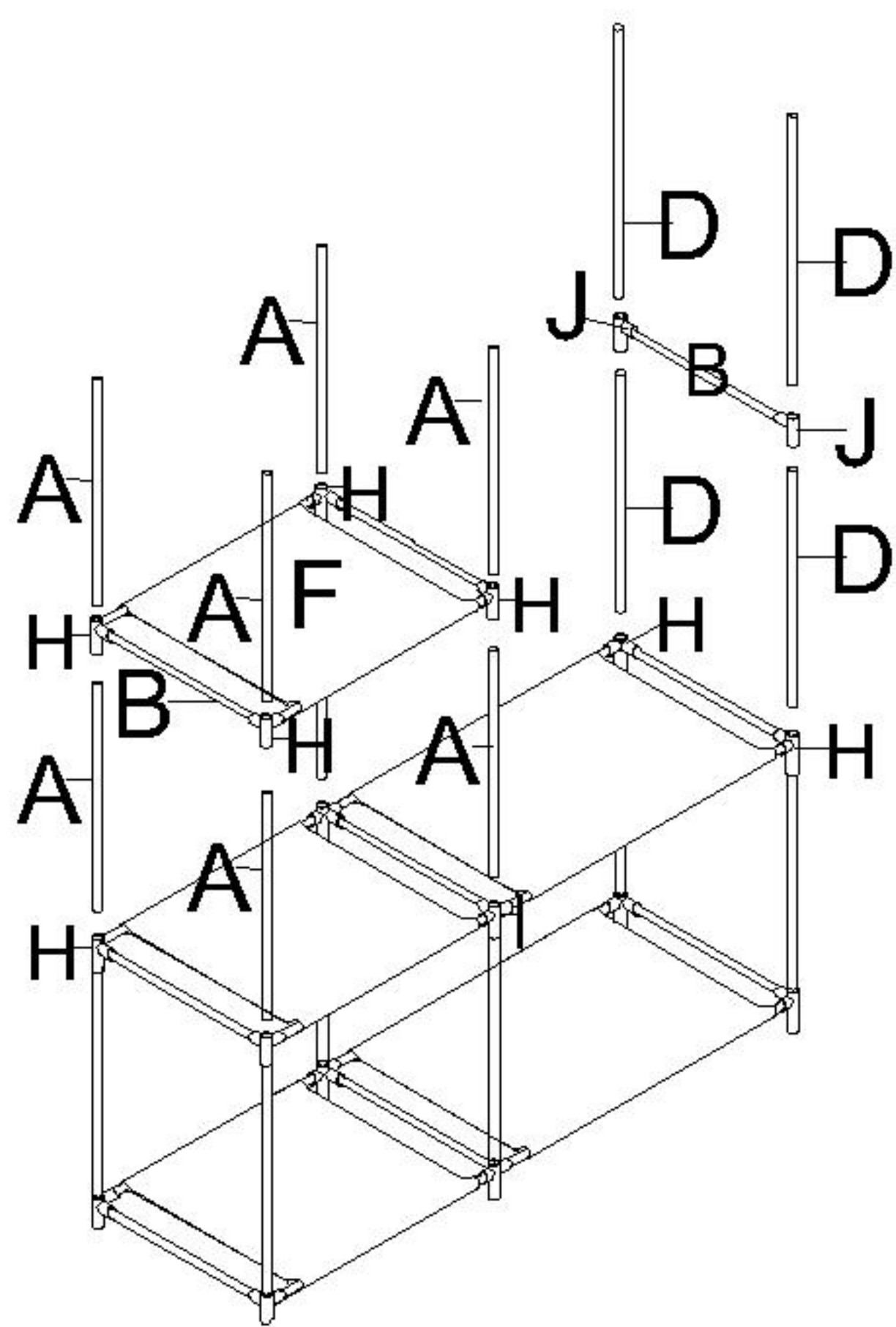
Attach fabric (F) into tube (A), attach fabric (G) into tube (C), assemble tube (A&B&C) with part (H&I). Repeat one time.

Step 2



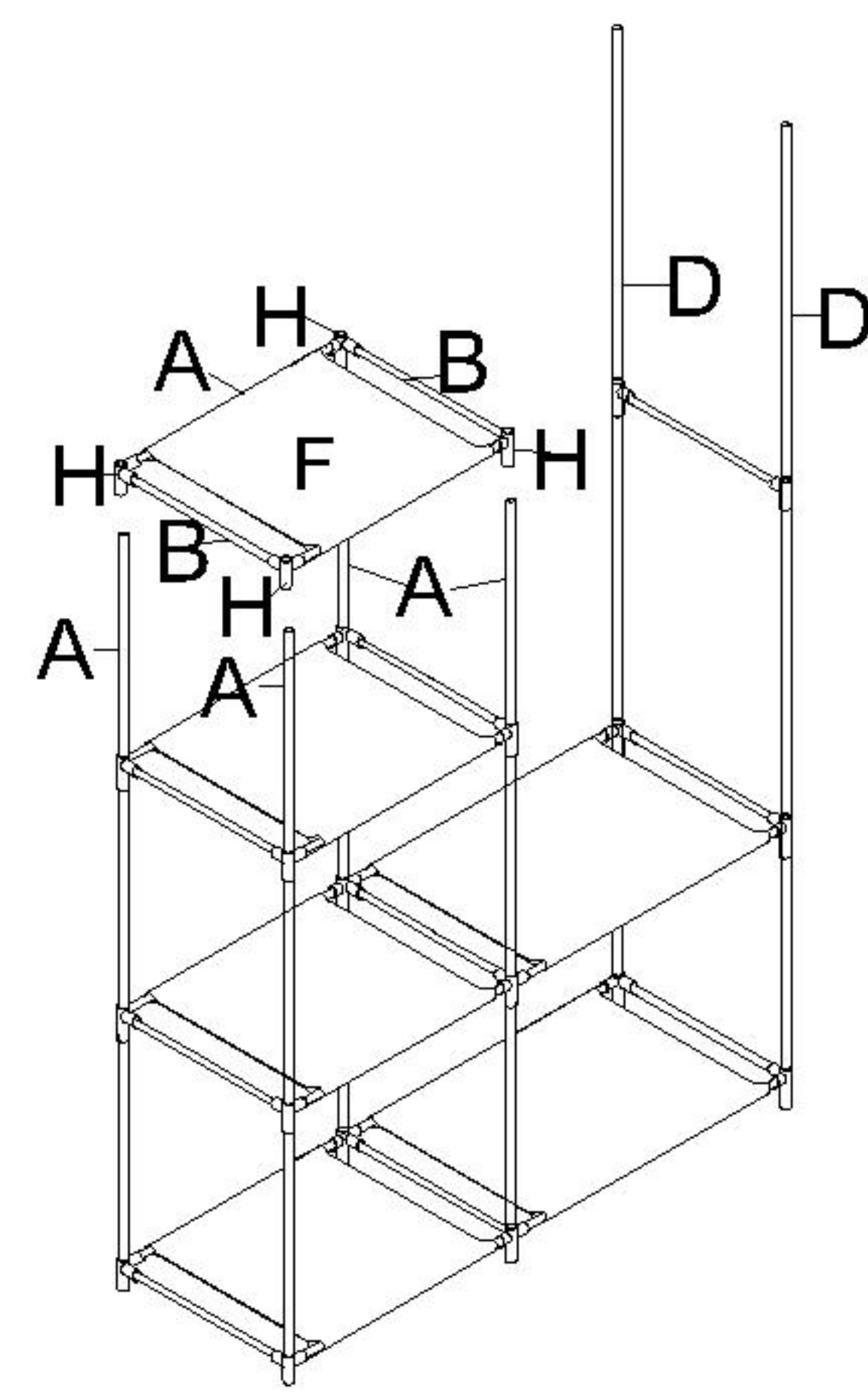
Insert 6 pcs tube(A) to part (H&I) on the unit from step1, then assemble another unit from step1 to tube (A) through part (H&I).

Step 3



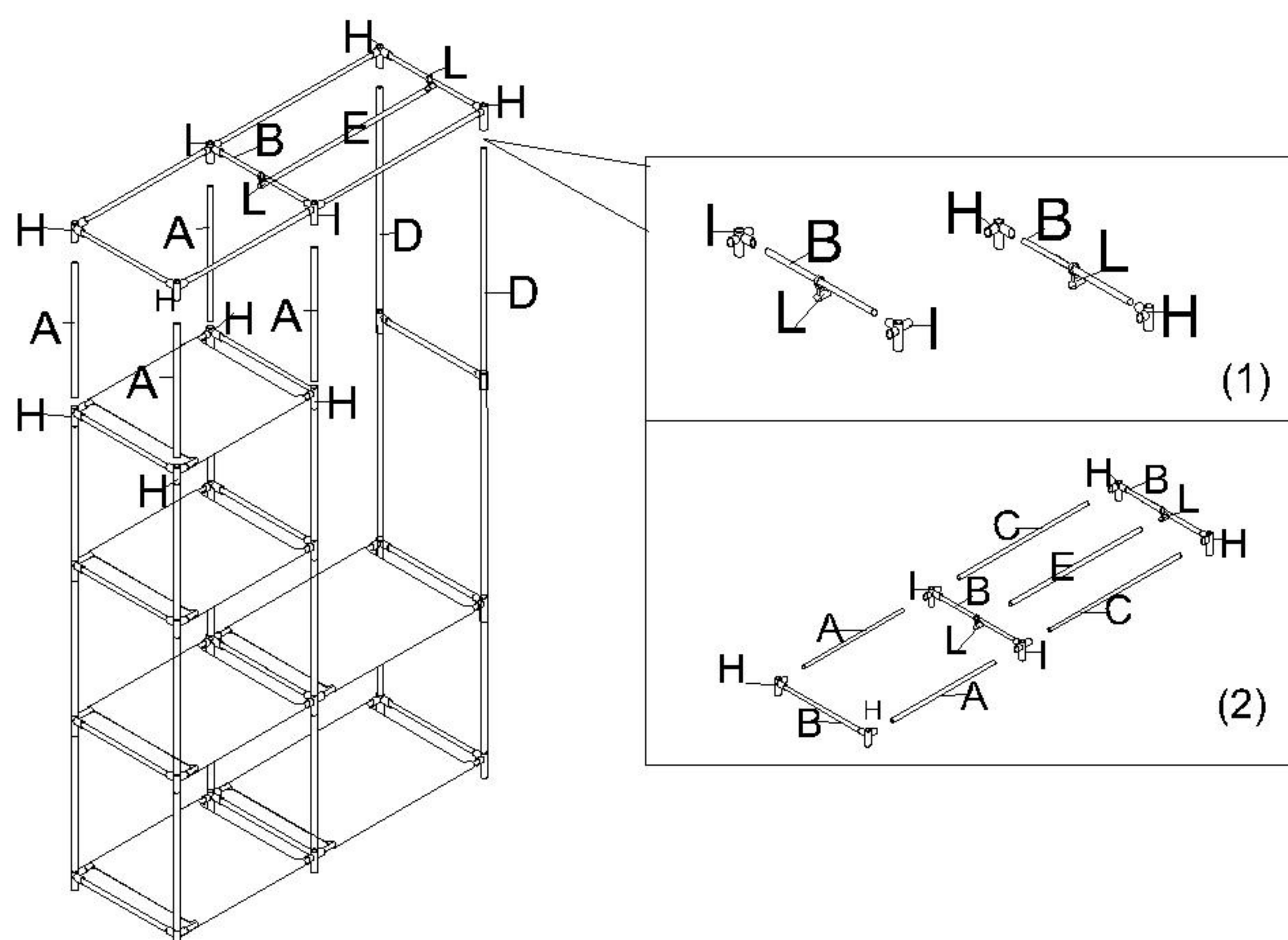
Repeat step 2 for the left shelf one time, and insert tube (D) into part (H), assemble tube (B&D) through part (J) on right shelf.

Step 4



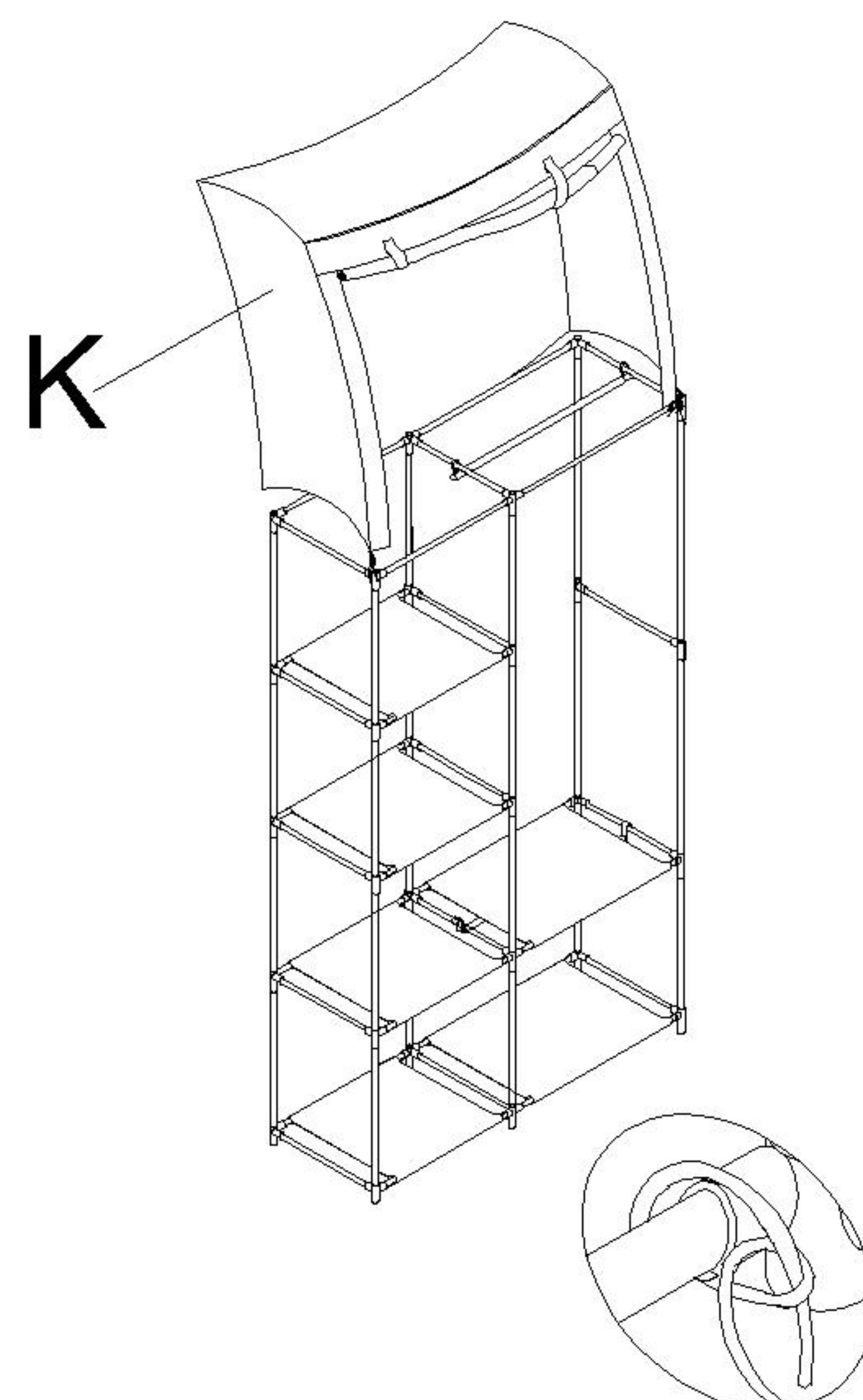
Attach fabric(F) into tube(A), assemble tube (A&B) with part (H). then assemble this assembled frame to tube (A).

Step 5



First, insert hook (L) to tube (B), assemble part (H&I) to part(B), then insert tube (E) into hook (L). Repeat step 1 without the layer fabric, then insert fixed frame on tube (A&D).

Step 6



Put cover fabric (K) to the whole finished construction, then fasten with ropes