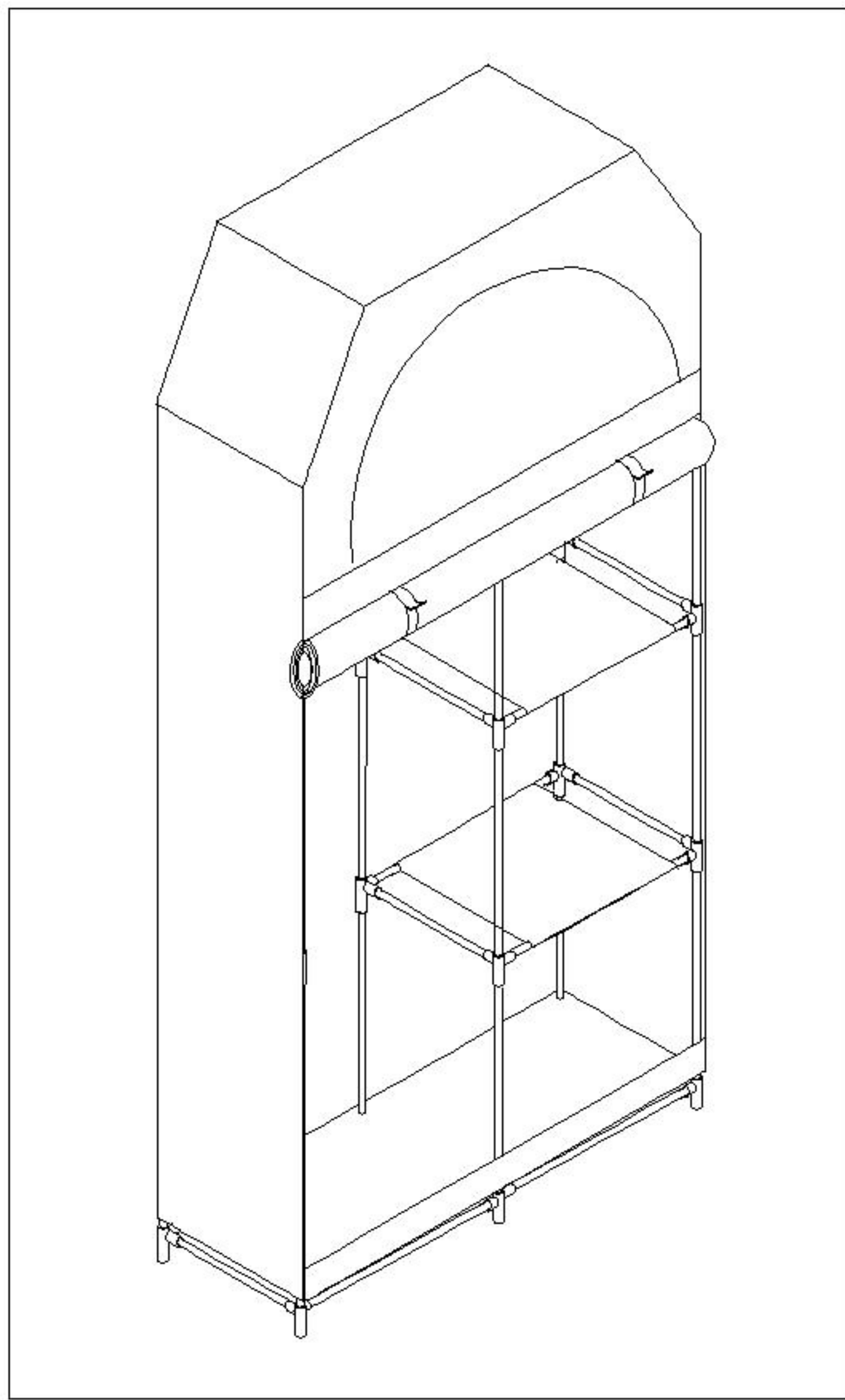


Kid's Wardrobe

Item# HM250.05 / HM250.05

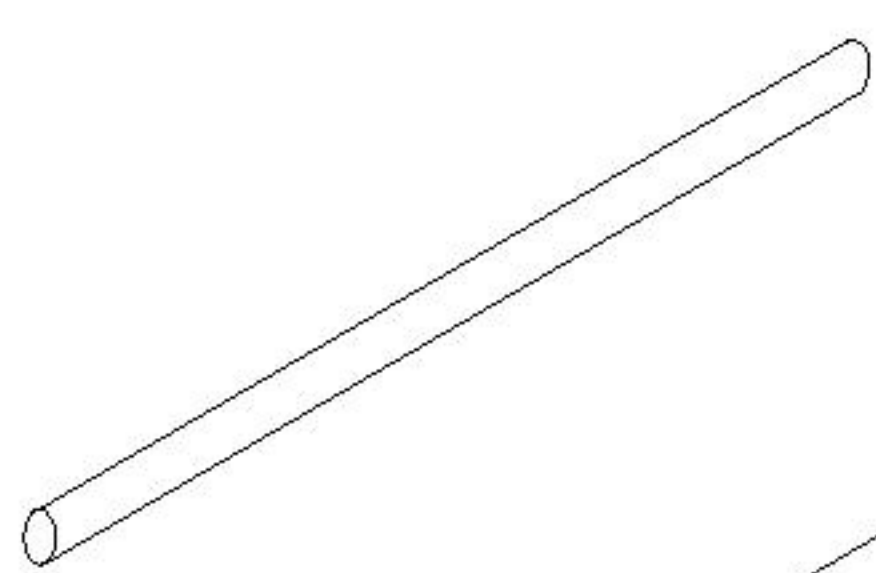
Assembly Instruction



Notes:

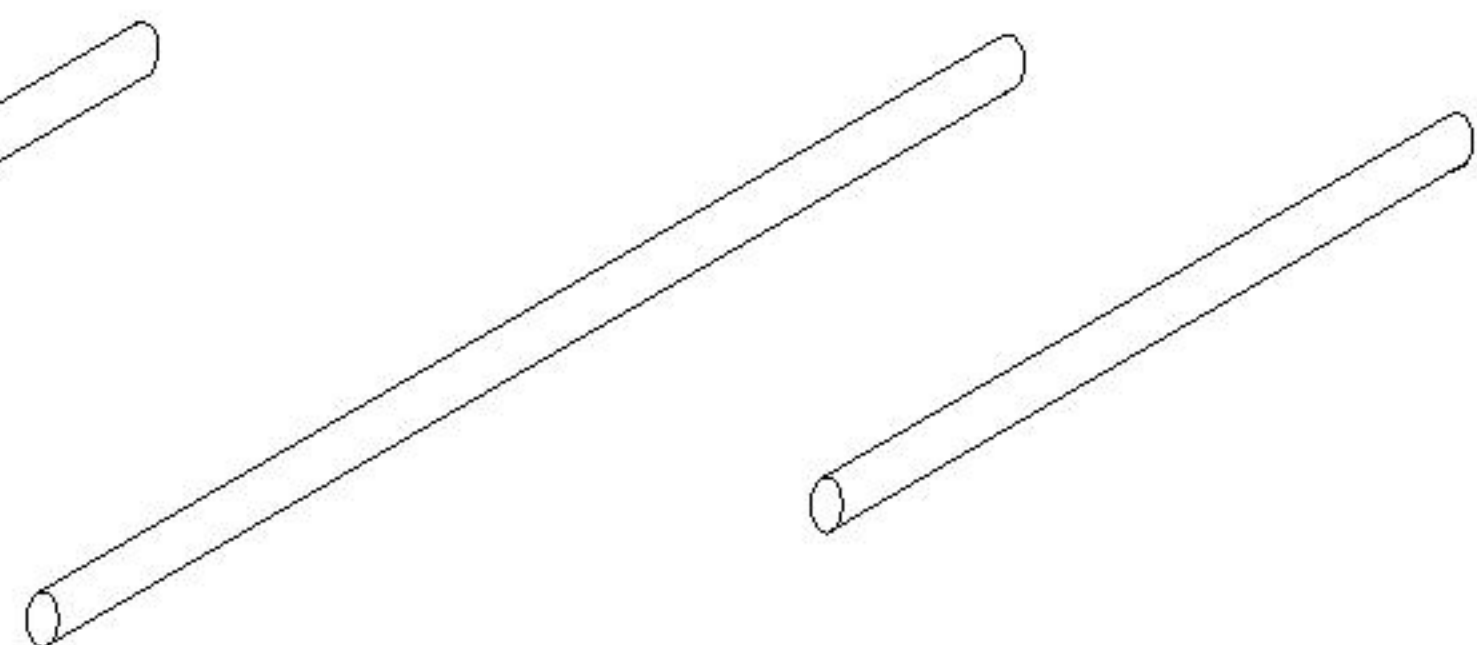
1. Be careful of sharp edges on the tubes;
2. Please check the parts quantity;
3. Please assemble according to assembly instructions;
4. Please only clean the cover with a dry cloth;
5. Please keep away from direct sunlight and only place in a dry environment.

Parts Identification



A

23 PCS

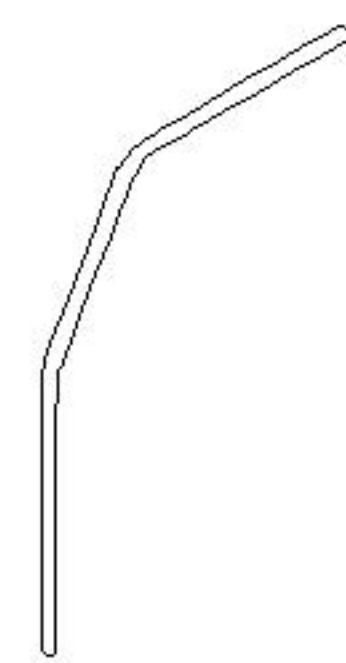


B

4 PCS

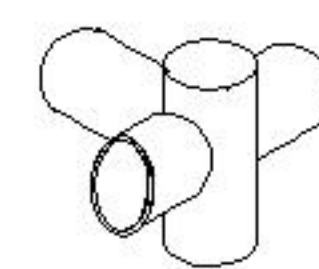
C

12 PCS



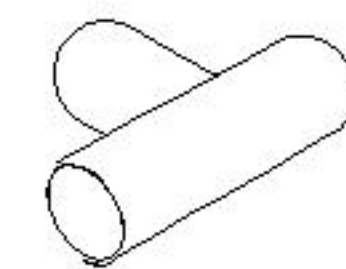
D

4 PCS



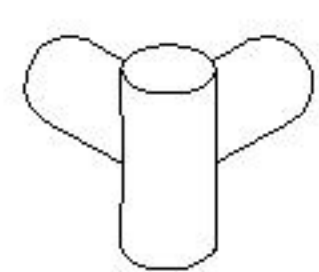
E

4 PCS



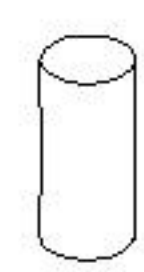
F

2 PCS



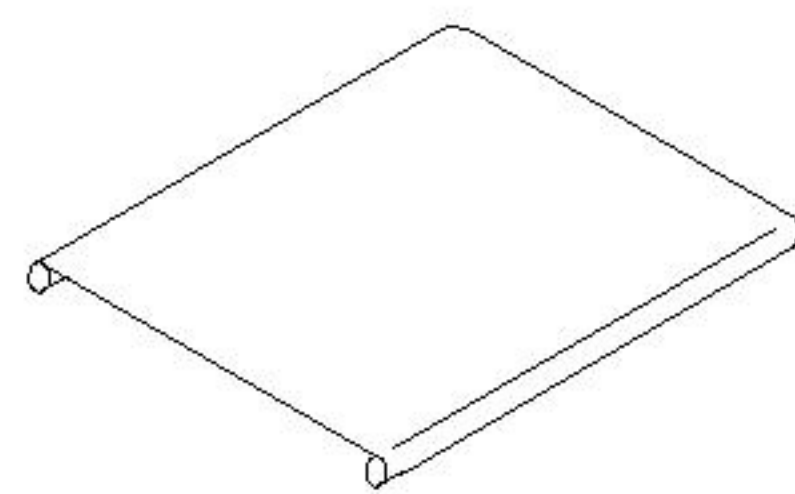
G

16 PCS



H

2 PCS



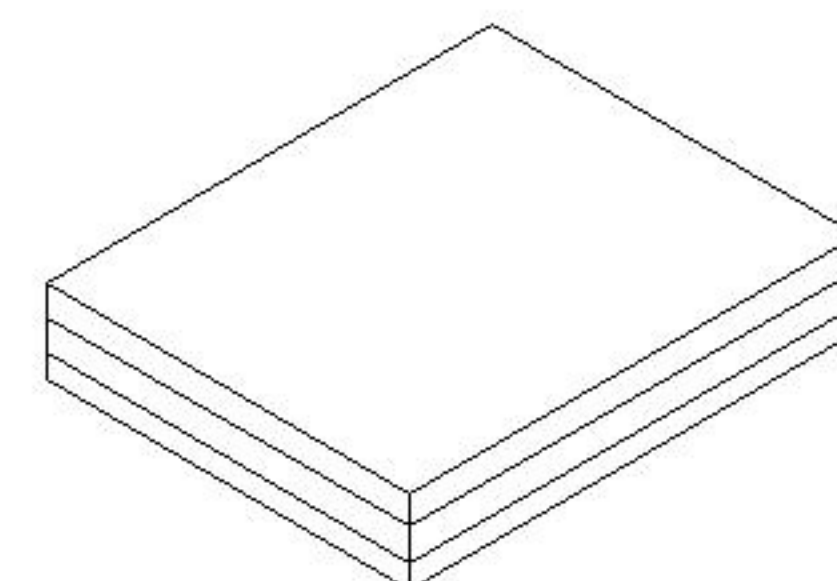
I

6 PCS



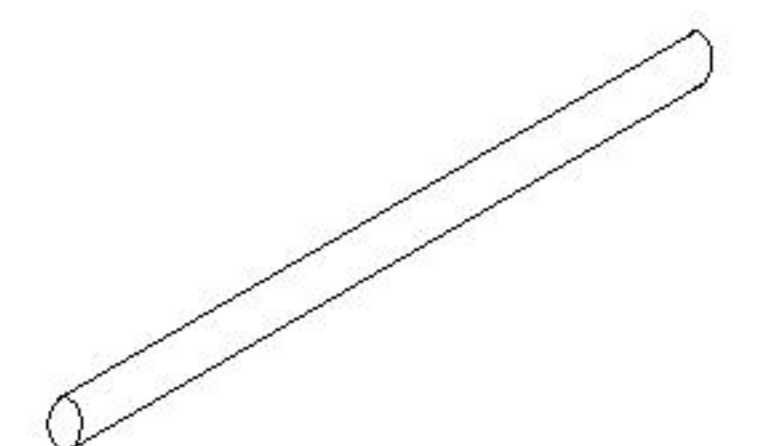
J

2 PCS



K

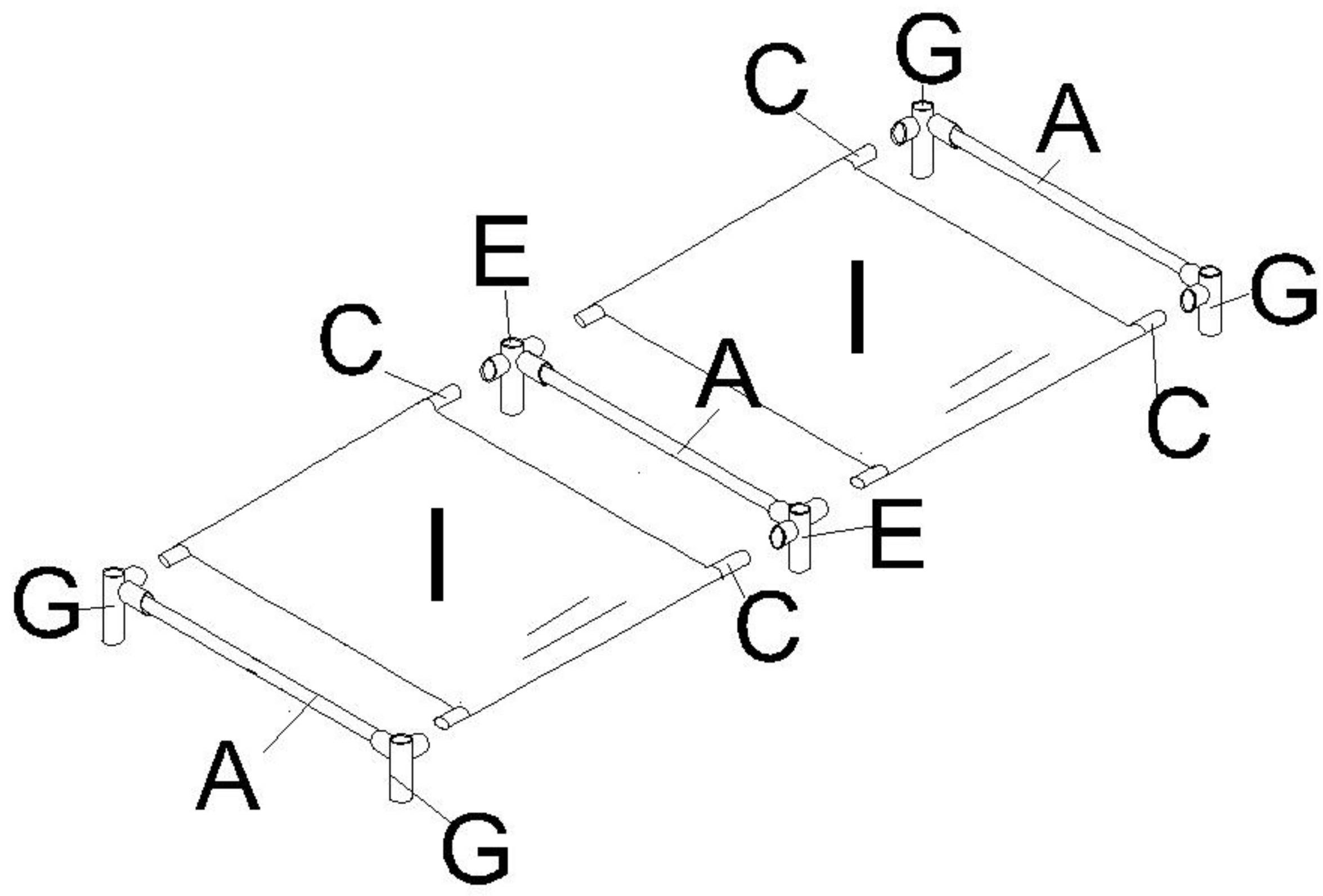
1 PC



L

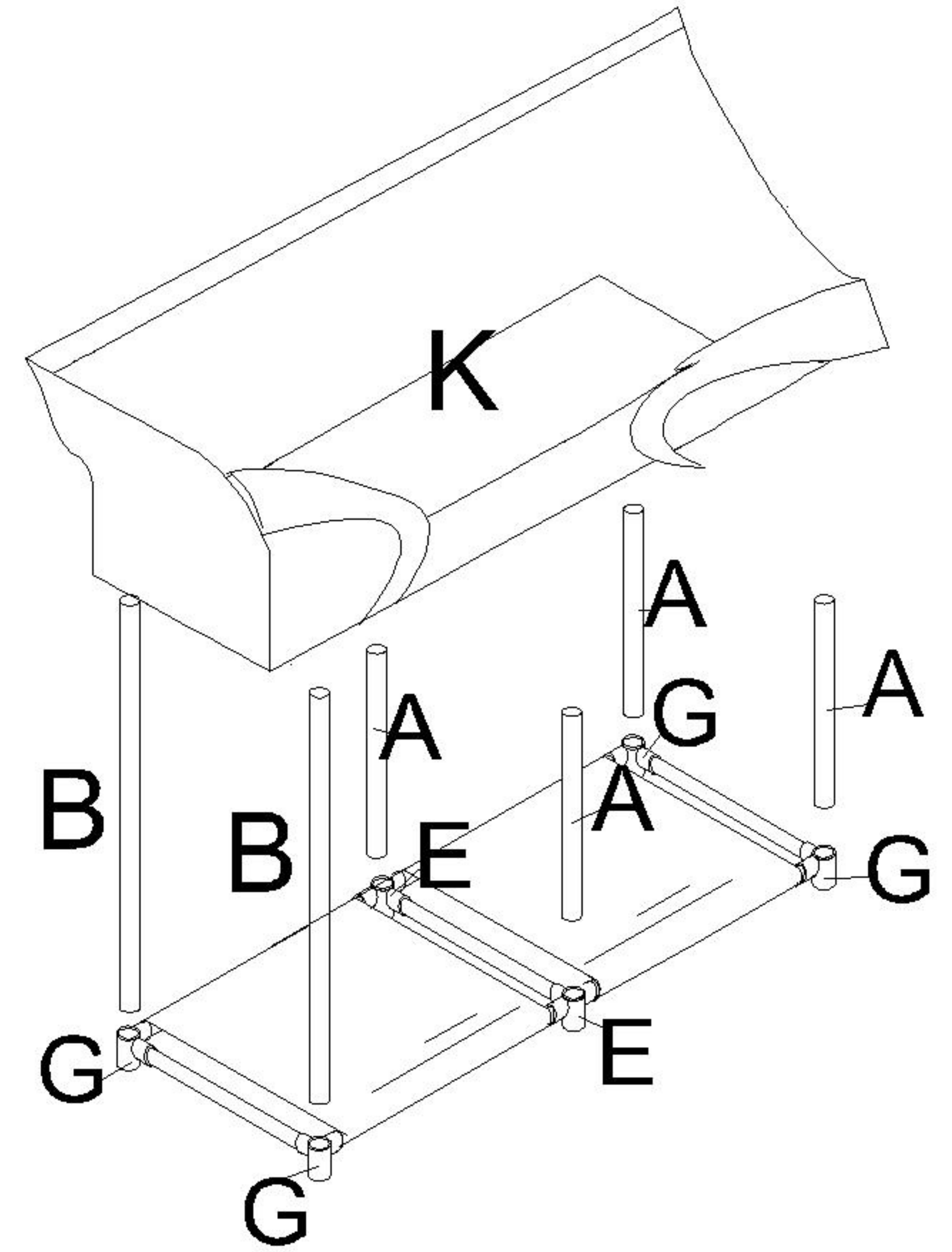
1 PCS

Step 1



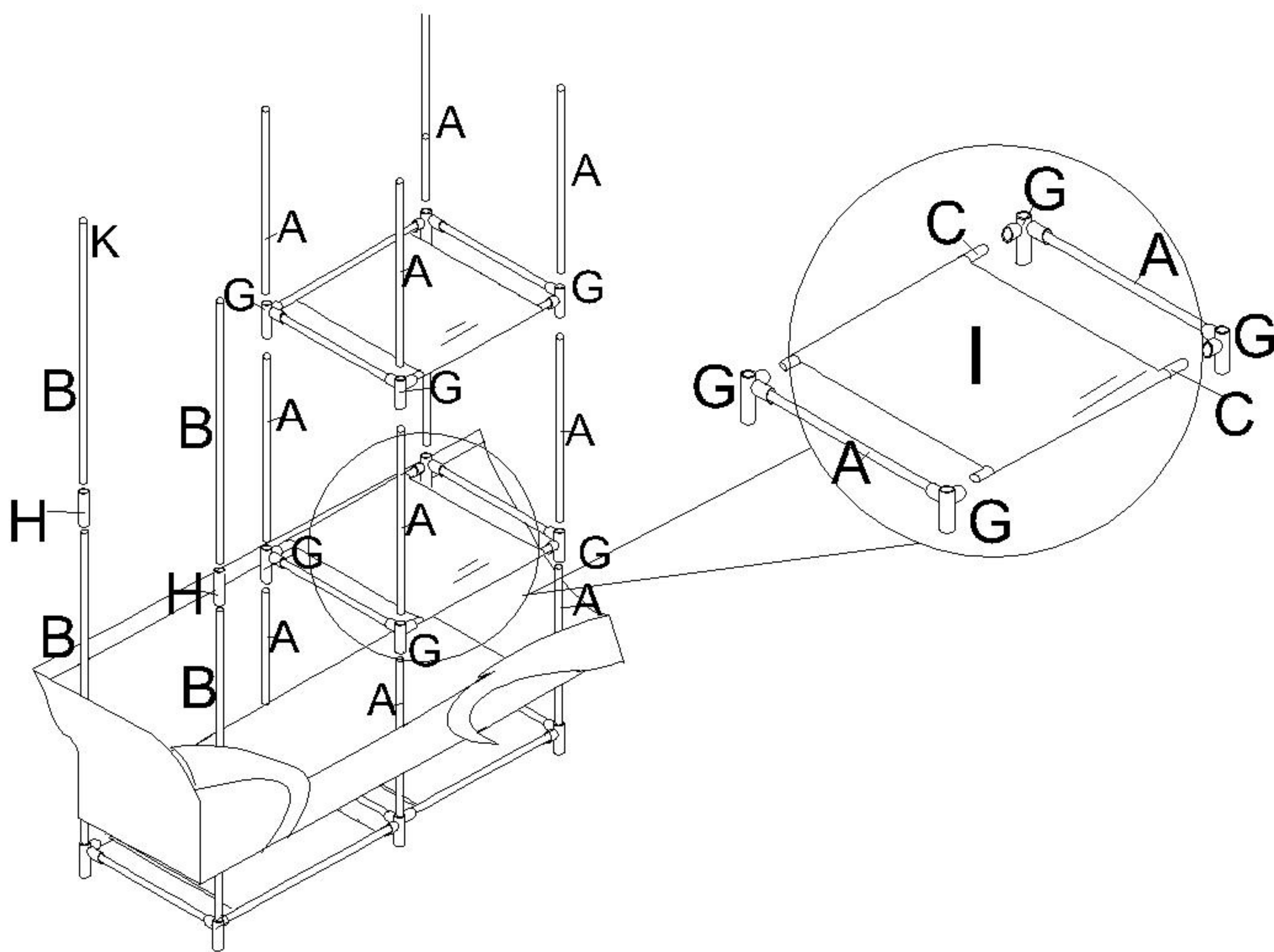
Assemble fabric (I) to tubes (C).
Connect tubes (A&C) with part (G&E).

Step 2



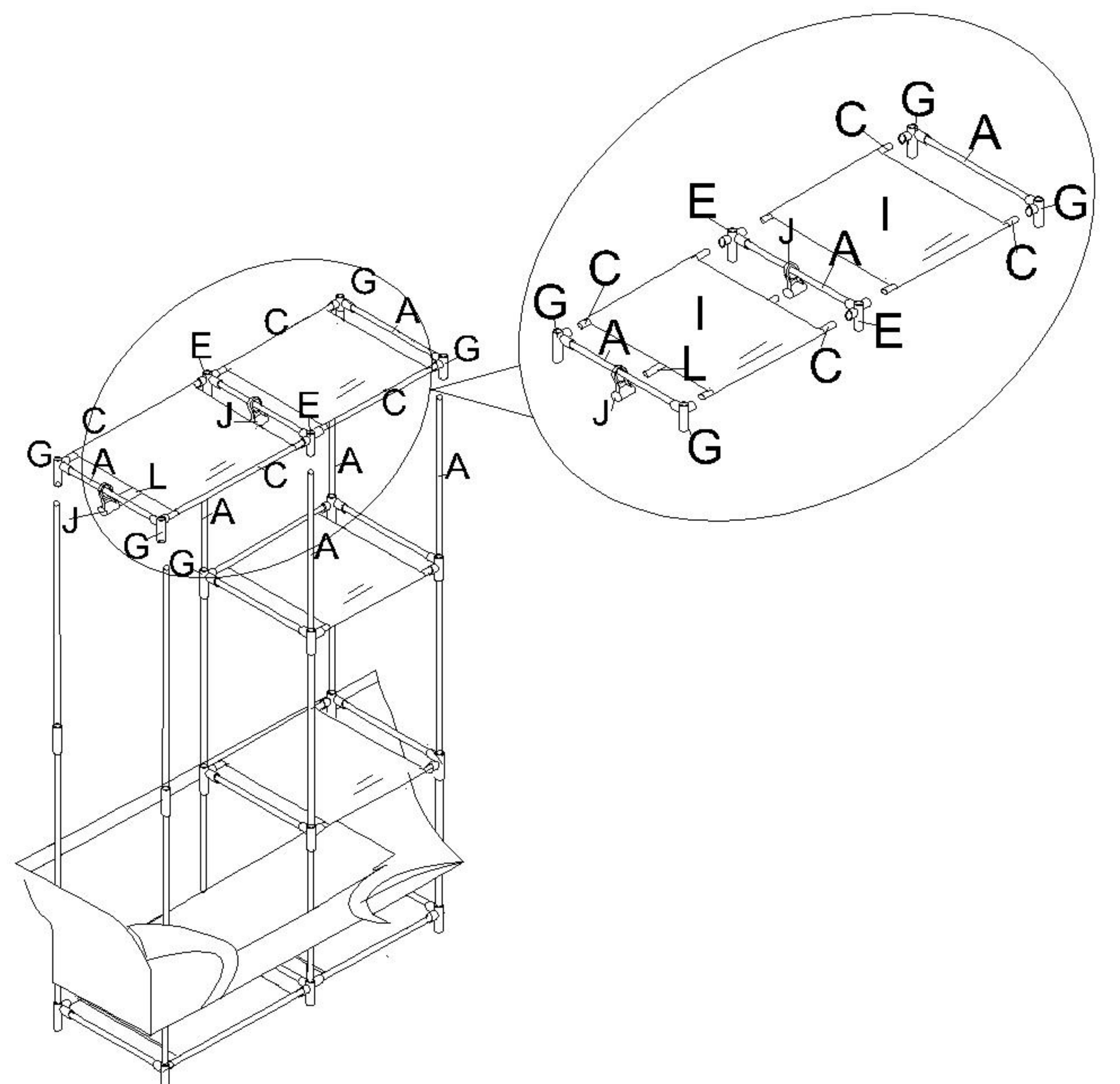
Insert 2 pcs tubes (B) to part (G), and 4 pcs tubes (A) to part (E&G). Put Fabric cover (K) thought tube (A&B).

Step 3



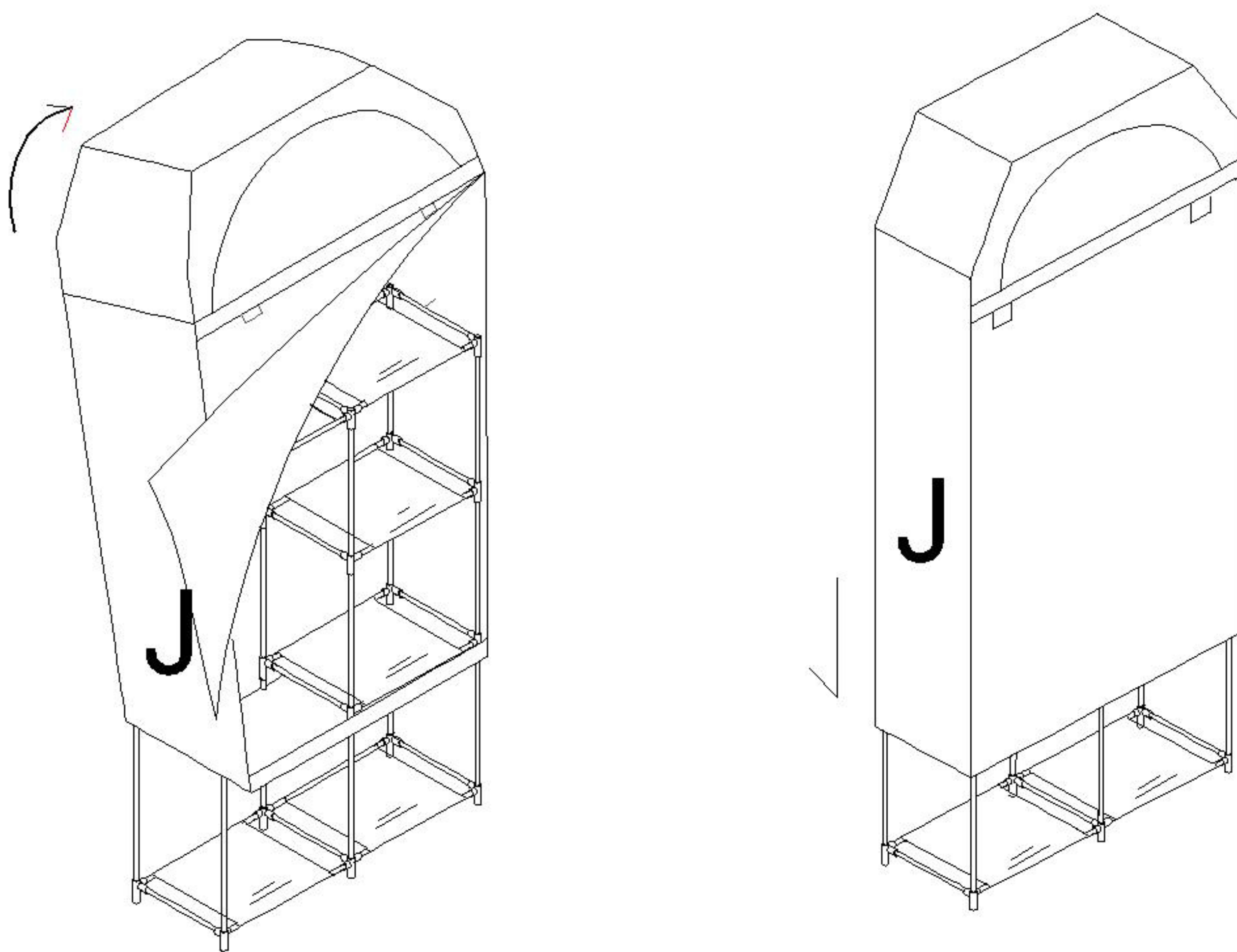
Assemble fabric (I) to tubes (C). Connect tubes (A&C) with part (G), repeat one time. Then assemble finished frame to tubes (A) with part (G) on right shelf. Connect tubes (B) with part (H) on left.

Step 4



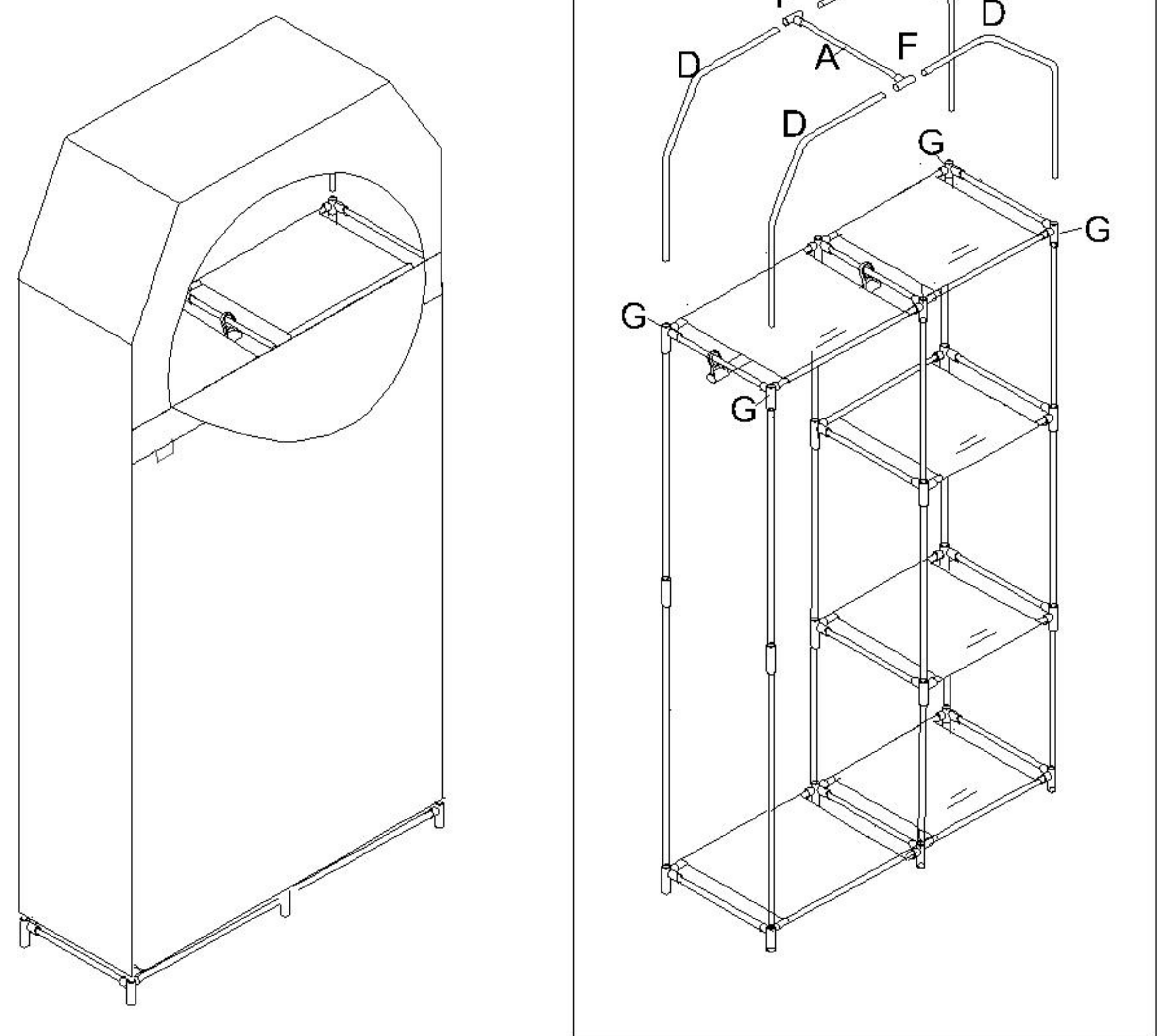
Repeat step 1 one time, at the same time put part (J) through tube (A), insert tube (L) to part (J) in both end. Assemble the shelf to the frame based on step 3.

Step 5



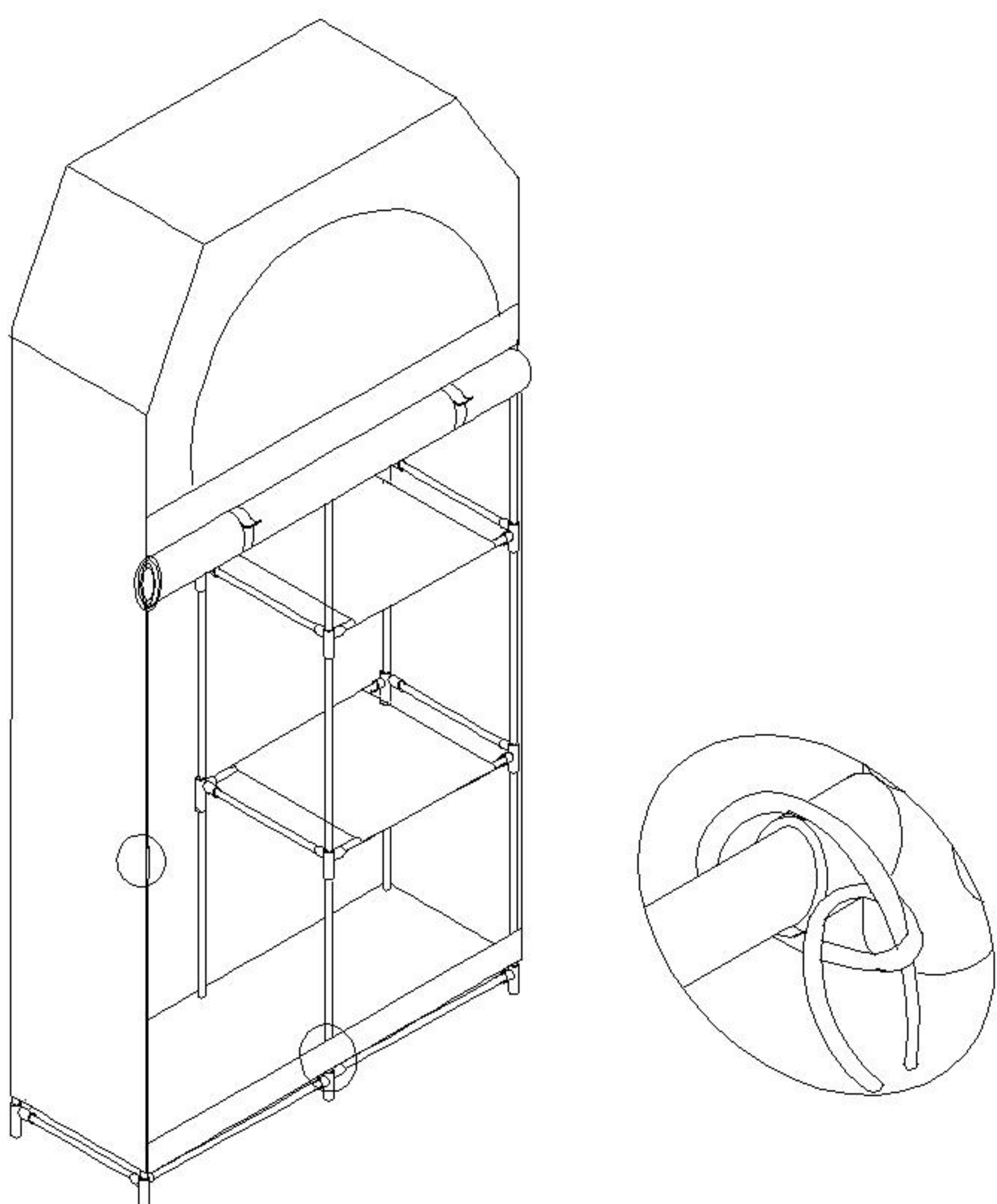
Lift the fabric (J) from bottom to the top of frame.

Step 6



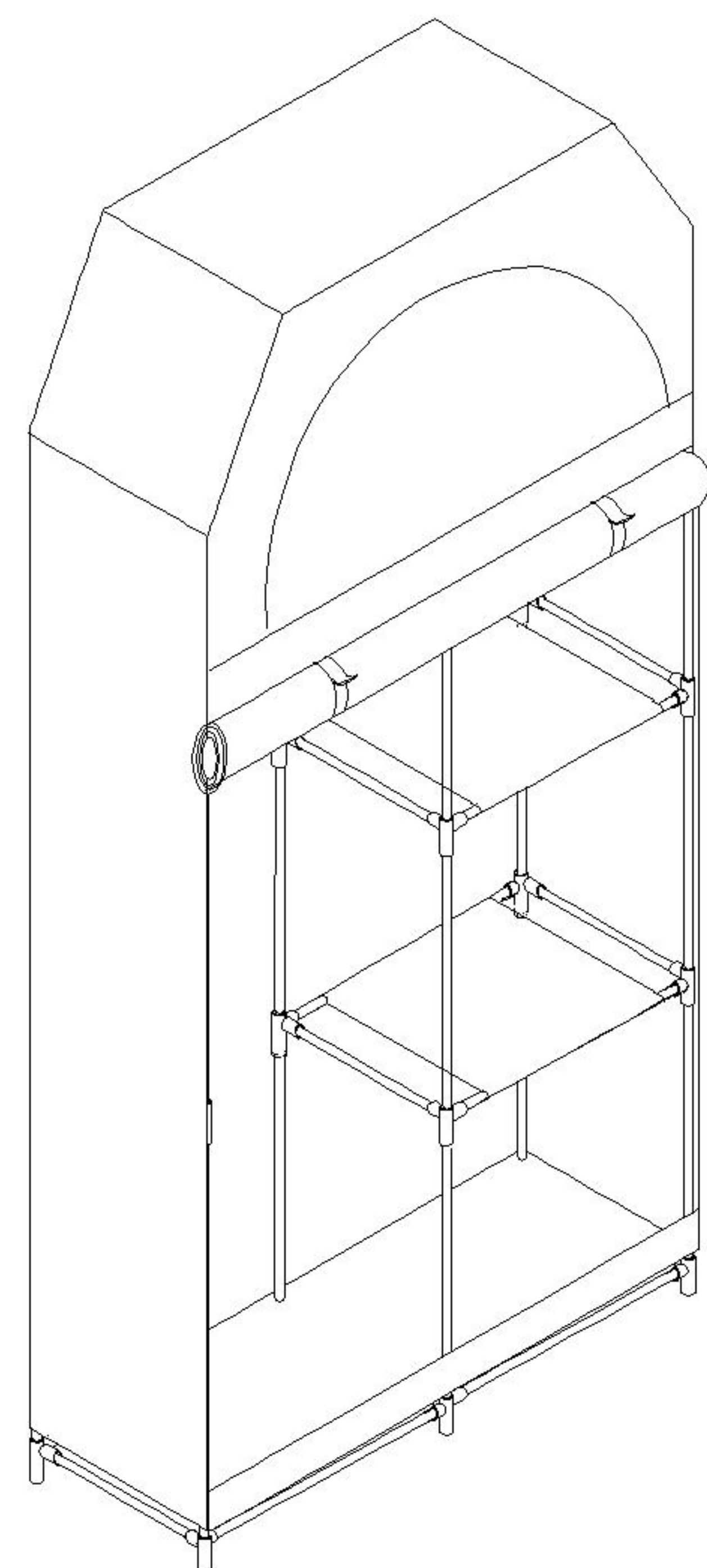
Insert tube (A) in part (F) in both end. Connect the shorter side of tube (D) and tube (A) with plastic connector (F). Then open the semicircle zipper, insert tube (D) in part (G).

Step 7



Tidy up the fabric cover from top to bottom. Then fasten with ropes.

Step 8



The assembled wardrobe.