

ASSEMBLY INSTRUCTION

DESCRIPTION : DESK

MODEL : HM 333

	SOFT, DRY CLOTH	CHEMICAL	HEAT	KEEP DRY	HANDLE WITH CARE	DO NOT USE KNIFE

HARDWARE		PART LIST	
A	WOOD DOVEL 8 X 25	16	1
B	10MM CD SCREW M3,5X18MM	32	1
C	38MM CD SCREW M4,5X38MM	10	1
D	50MM CD SCREW M4,5X50MM	2	1
E	NAIL 5/8	8	1
F	ALLEN KEY	1	1
G	MINIFIX HOUSING	20	1
H	MINIFIX EURO 24	20	1
I	MINIFIX CAP	20	1
J	PVC NAIL WITH PIN 5/8	6	1
K	METAL SHELF SUPPORT	4	1
L	HINGES 5/8	2	1
M	M1 DRAWER SLIDE 12"	1 SETS	1
N	M2 DRAWER SLIDE 18"	1 SETS	1

STEP 1

STEP 2

STEP 3

STEP 4

STEP 5

STEP 6

STEP 7

STEP 8

STEP 9

STEP 10

STEP 11

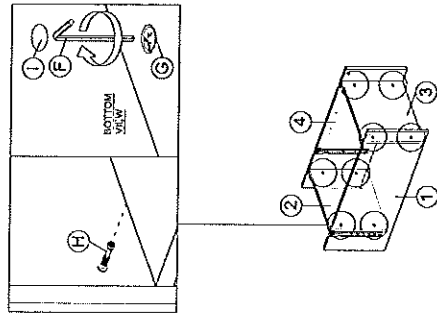
ASSEMBLY INSTRUCTION

MODEL : HM 333

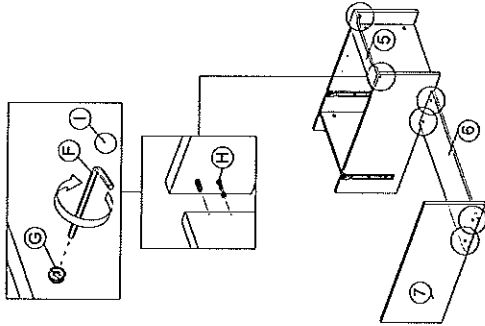
DESCRIPTION : DESK

SOFT, DRY CLOTH	CHEMICAL	HEAT	KEEP DRY	HANDLE WITH CARE	DO NOT USE KNIFE	

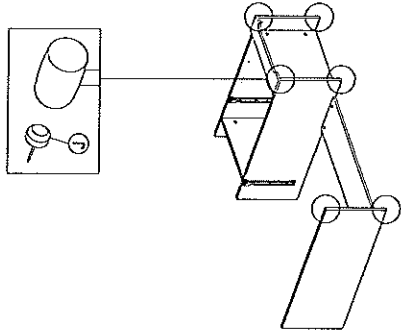
STEP 12



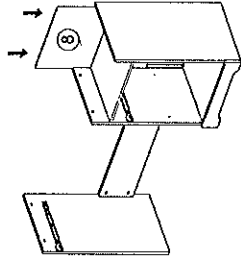
STEP 13



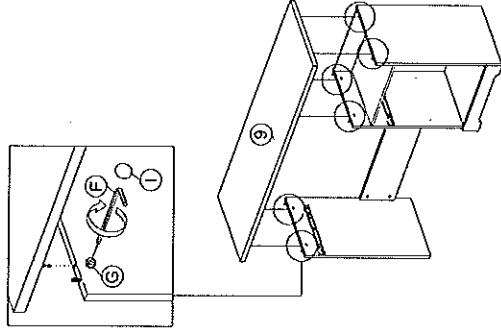
STEP 14



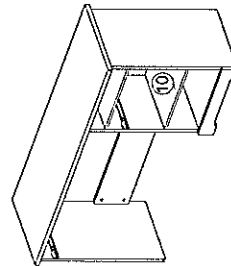
STEP 15



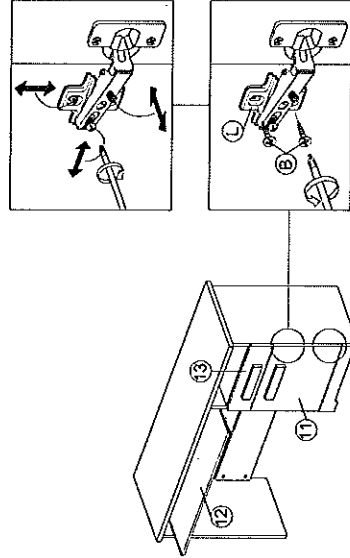
STEP 16



STEP 17



STEP 18



COMPLETED

