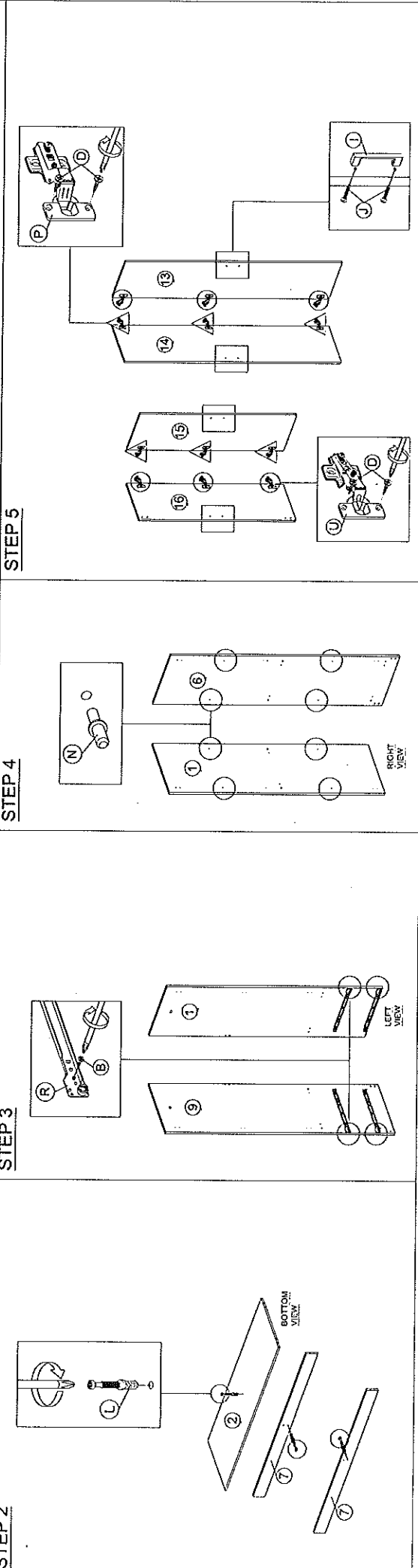
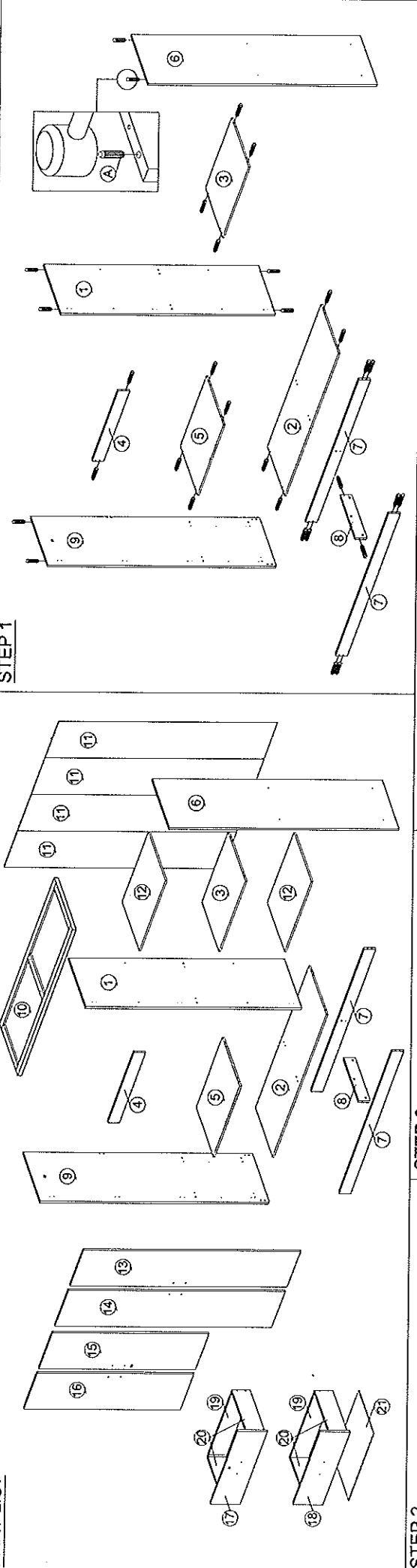


# ASSEMBLY INSTRUCTION

MODEL : HM 339.02 DESCRIPTION : 4 DOORS WARDROBE

SOFT DRY CLOTH	CHEMICAL	KEEP DRY	HANDLE WITH CARE	DO NOT USE KNIFE	

HARDWARE		PART LIST	
A	WOOD BUSH FOR SCREWS	32	
B	1/8MM CB SCREW (4X10/8MM)	24	
C	3/8MM CB SCREW (4X16/8MM)	20	
D	12MM TAPPING SCREW (4X12/2MM)	48	
E	1/4" NAIL 5/8"	62	
F	50MM CSK CAP WOOD MIX/20MM	16	
G	70MM CSK CAP WOOD MIX/20MM	6	
H	L KEY	1	
I	HANDLE 100 (PVC)	6	
J	25MM CB SCREW (4X25/2MM)	8	
K	MINIFIX (HOUSING)	3	
L	MINIFIX (EURO 24)	3	
M	MINIFIX CAP	25	
N	METAL SHEET SUPPORT	8	
O	PVC NAIL WITH PIN 5/8"	8	
P	HINGES 5/8"	6	
Q	HINGES 2/8"	6	
R	DRAWER SLIDE 1/4" (COLOR)	2	
S	DRAWER SLIDE 1/4" (COLOR)	2	
T	18MM CHROME PIPE	1	



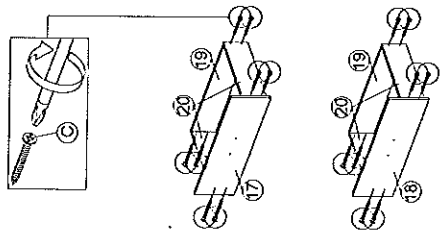
# ASSEMBLY INSTRUCTION

DESCRIPTION : 4 DOORS WARDROBE

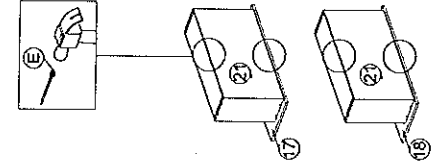
MODEL : HM 339.02

SOFT, DRY CLOTH	CHEMICAL	HEAT	KEEP DRY	HANDLE WITH CARE	DO NOT USE KNIFE	

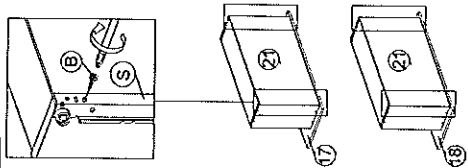
STEP 6



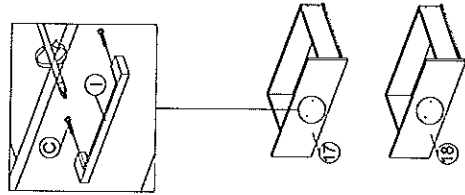
STEP 7



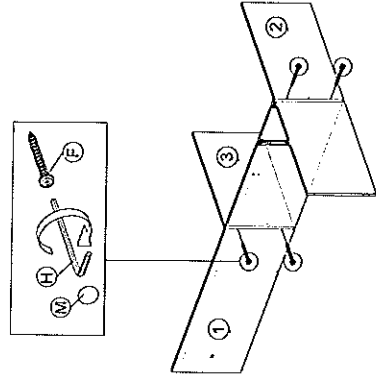
STEP 8



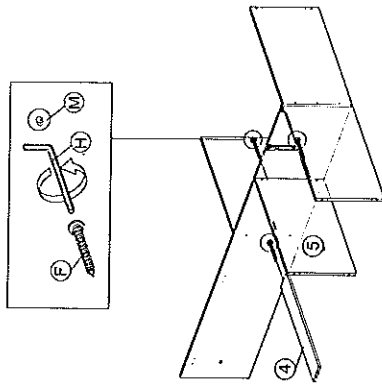
STEP 9



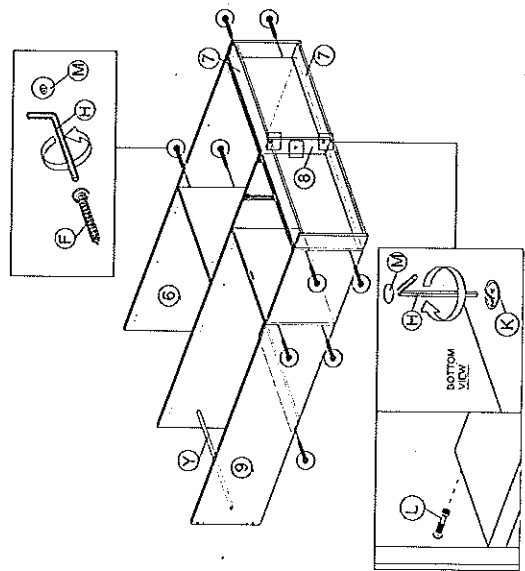
STEP 10



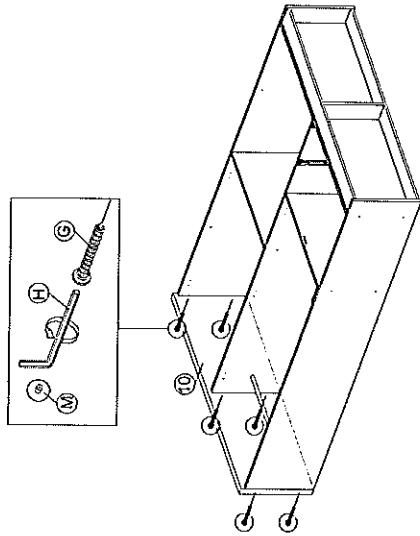
STEP 11



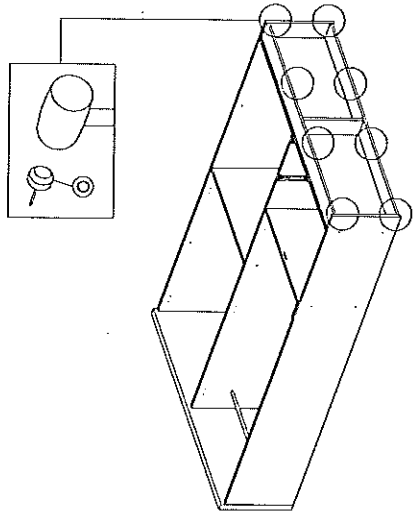
STEP 12



STEP 13

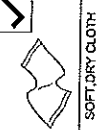


STEP 14





STEP 15



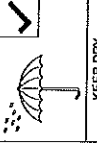
SOFT DRY CLOTH



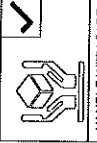
CHEMICAL



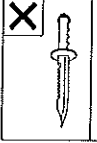
HEAT



KEEP DRY



HANDLE WITH CARE



DO NOT USE KNIFE

# ASSEMBLY INSTRUCTION

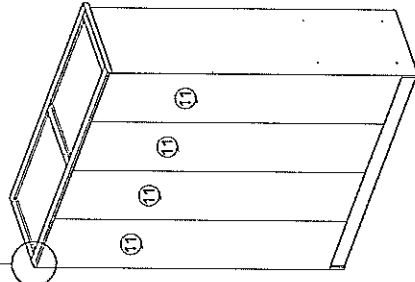
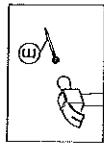
MODEL : HM 339.02

DESCRIPTION : 4 DOORS WARDROBE

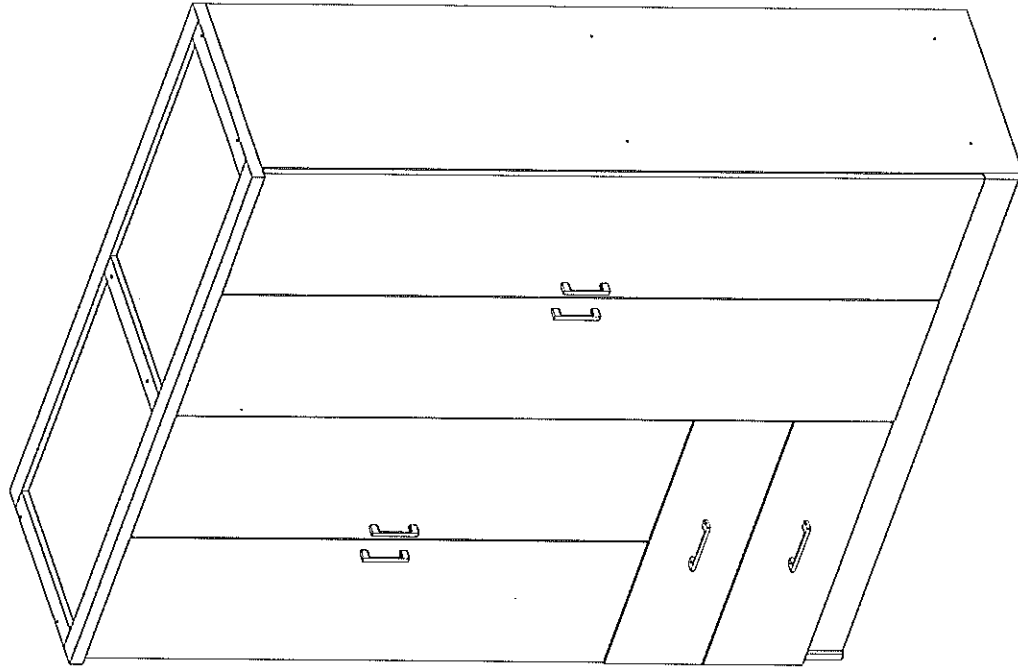
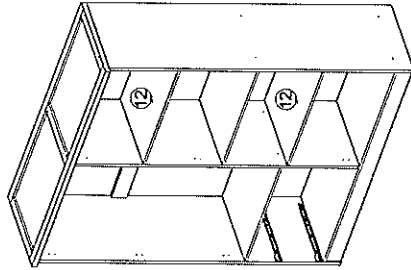
STEP 16

STEP 16

COMPLETED



BACK VIEW



STEP 17

