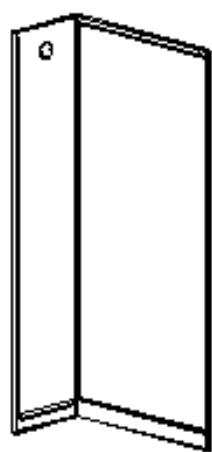
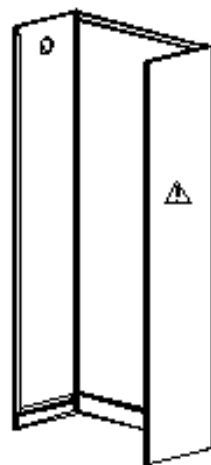


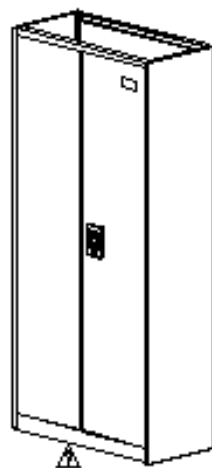
Installing diagram



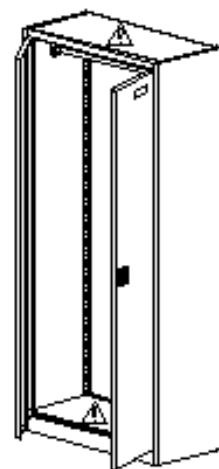
STEP 1



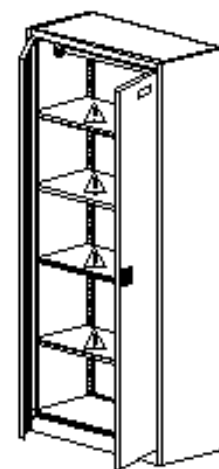
STEP 2



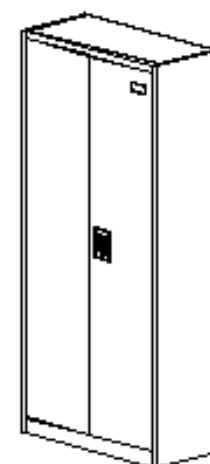
STEP 3



STEP 4

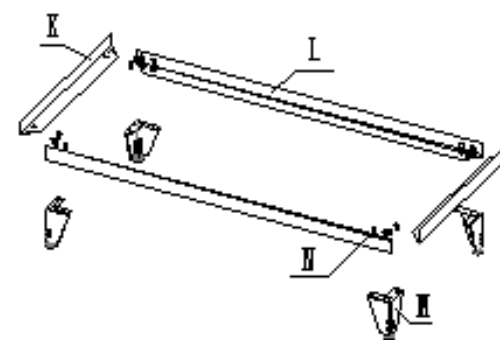
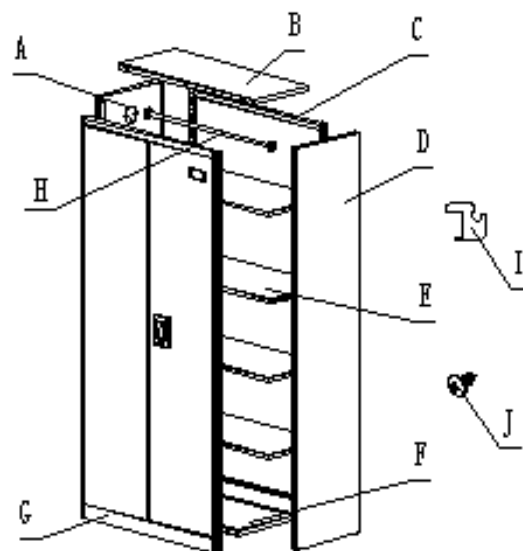


STEP 5



STEP 6

Packing List			
Name	Quantity	Name	Quantity
A	1	F	1
B	1	G	1
C	1	H	1
D	1	I	16
E	4	J	9



Packing List			
Name	Quantity	Name	Quantity
K	2	H	4
L	2	H	16



Mark of installing section components