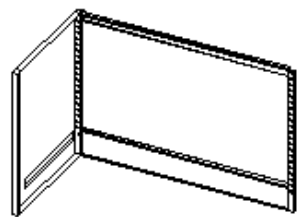
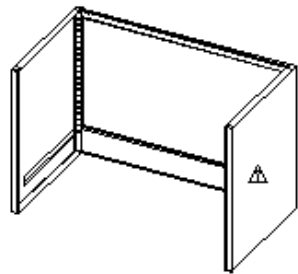


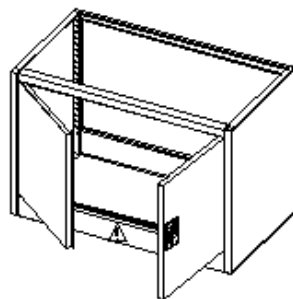
Installing diagram



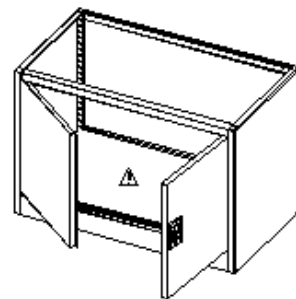
STEP 1



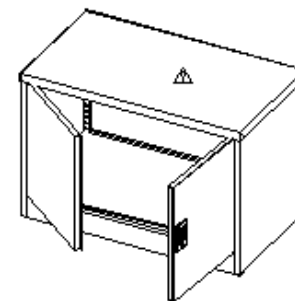
STEP 2



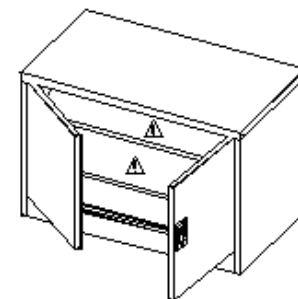
STEP 3



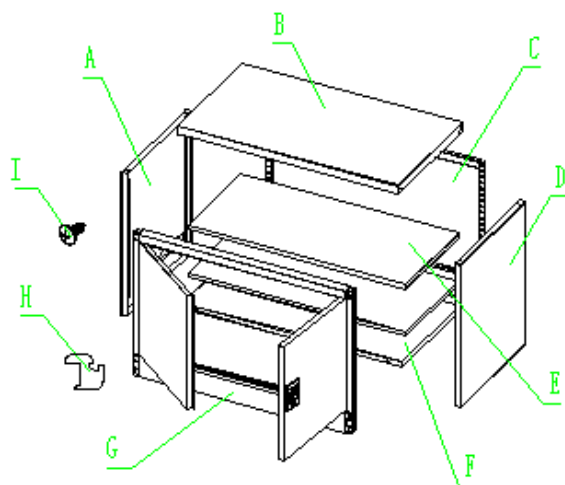
STEP 4



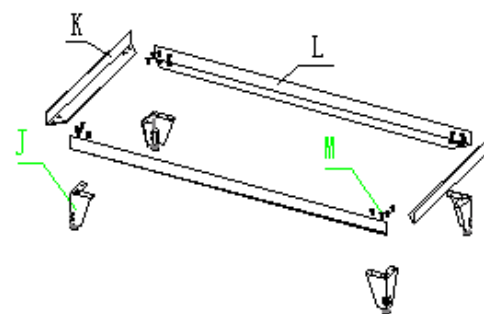
STEP 5



STEP 6



Packing List			
Name	Quantity	Name	Quantity
A	1	F	1
B	1	G	1
C	1	H	8
D	1	I	7
E	2		



Packing List			
Name	Quantity	Name	Quantity
J	4	L	2
k	2	M	16



Mark of installing section components