

MODEL : HM0153.03



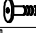
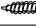
ASSEMBLY INSTRUCTIONS

DEAR CUSTOMER:

Read this instruction carefully. See hardware and Furniture part list for guidance.
 Be sure all parts are complete, before you assemble. Place all wooden prevent from being scratched.
 Follow the figure to start assembling.

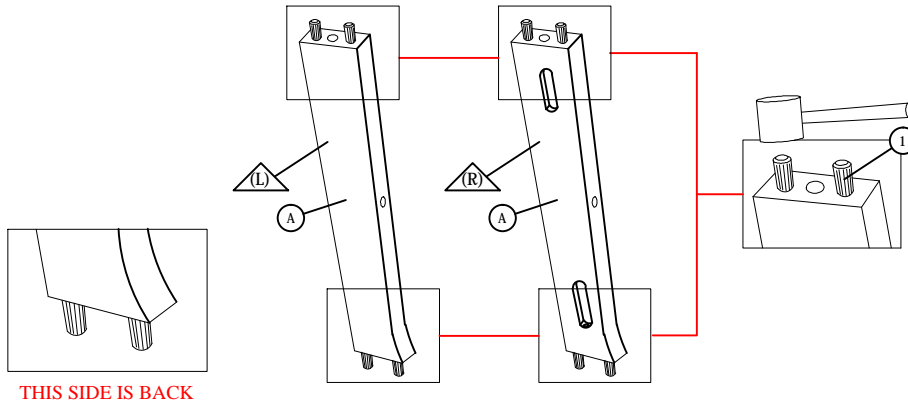
- CAUTIONS:**
1. Do not FULLY - TIGHTEN the nut or bolt until all nut and bolt is ready assembled.
 2. Do not OVER - TIGHTEN the nut or bolt avoid causing damages to the thread.
 3. Keep all hardware parts out of reach of children.

PART LIST		
ITEM	DESCRIPTION	QTY
A	SIDE RAIL L&R	2 PCS
B	STRECHER	2 PCS
C	FRONT STAND	1 PC
D	BACK STAND	1 PC
E	CUSHION SEAT	1 PC

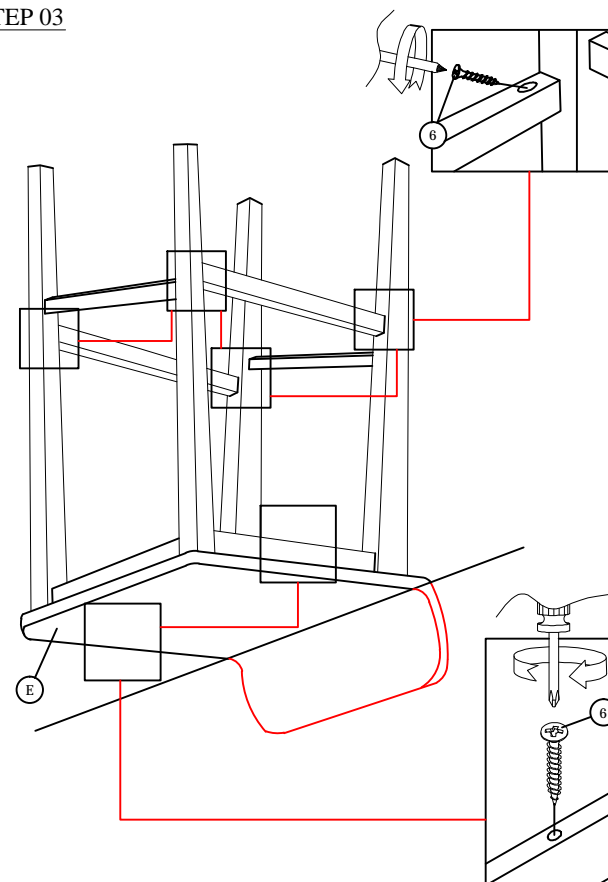
HARDWARE LIST		
ITEM	DESCRIPTION	QTY
1	WOOD DOWEL M8 x 30 MM 	8 PCS
2	FLAT WASHER M6 	4 PCS
3	SPRING WASHER M6 	4 PCS
4	JCBC BOLT M6 x 50 MM 	4 PCS
5	ALLEN KEY M4 	1 PC
6	CSK SCREW M4 x 32 MM 	7 PCS

NOTE: THE LIST AND QUANTITY SHOWN ARE FOR 1 UNIT ASSEMBLY.

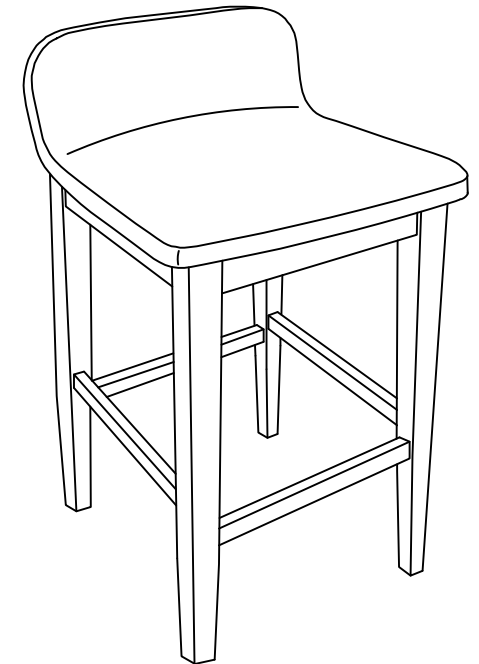
STEP 01



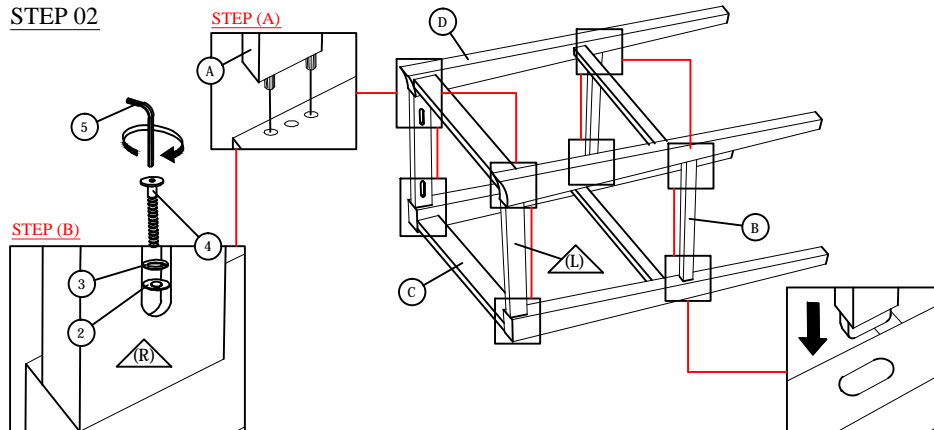
STEP 03



STEP 04



STEP 02



FULLY SET-UP (CHAIR)