

# ASSEMBLY INSTRUCTION

DESCRIPTION : DESK

MODEL : HM 333

	SOFT, DRY CLOTH	CHEMICAL	HEAT	KEEP DRY	HANDLE WITH CARE	DO NOT USE KNIFE

HARDWARE		PART LIST	
A	WOOD DOVEL 8 X 25	16	1
B	10MM CD SCREW M3,5X18MM	32	1
C	38MM CD SCREW M4,5X38MM	10	1
D	50MM CD SCREW M4,5X50MM	2	1
E	5MM NAIL	8	1
F	ALLEN KEY	1	1
G	MINIFIX HOUSING	20	1
H	MINIFIX EURO 24	20	1
I	MINIFIX CAP	20	1
J	PVC NAIL WITH PIN 5/8	6	1
K	METAL SHELF SUPPORT	4	1
L	HINGES 3/8	2	1
M	M1 DRAWER SLIDE 12"	1 SETS	1
N	M2 DRAWER SLIDE 18"	1 SETS	1

**STEP 1**

**STEP 2**

**STEP 3**

**STEP 4**

**STEP 5**

**STEP 6**

**STEP 7**

**STEP 8**

**STEP 9**

**STEP 10**

**STEP 11**

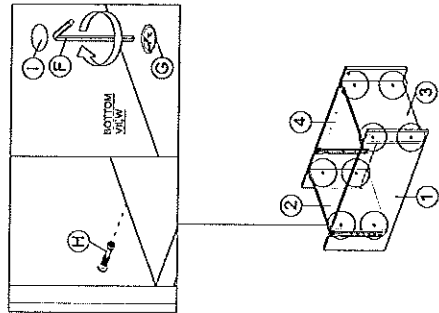
# ASSEMBLY INSTRUCTION

MODEL : HM 333

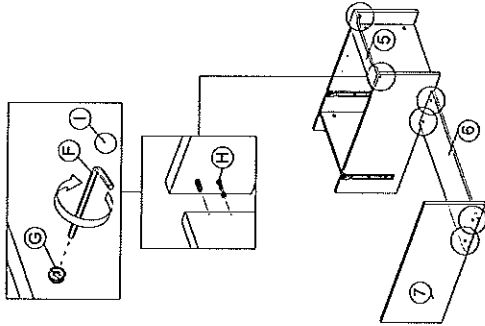
DESCRIPTION : DESK

SOFT, DRY CLOTH	CHEMICAL		DO NOT USE KNIFE	HEAT	KEEP DRY		HANDLE WITH CARE		

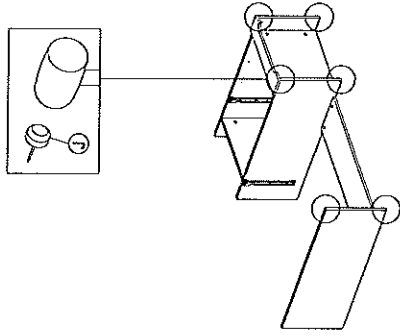
STEP 12



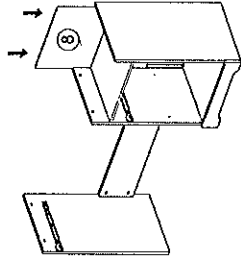
STEP 13



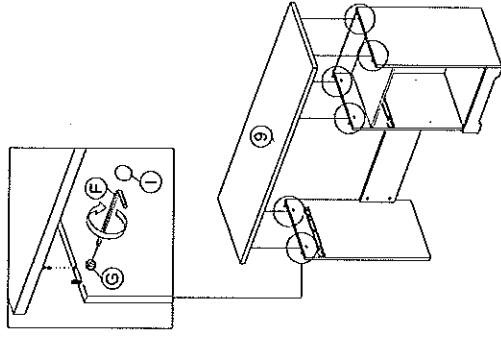
STEP 14



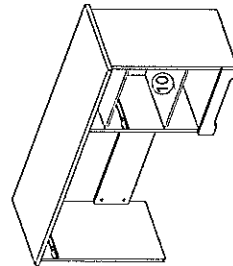
STEP 15



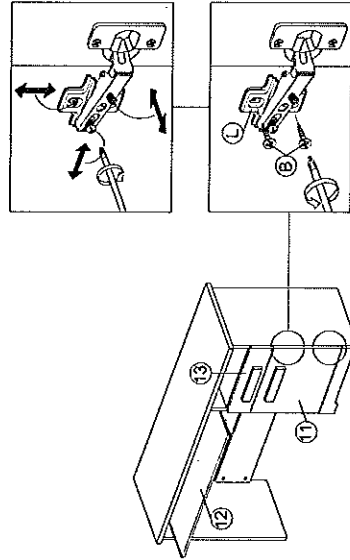
STEP 16



STEP 17



STEP 18



COMPLETED

