

PLEASE FOLLOW
THOSE NUMBERS AS
STATED BELOW FOR
EASY ASSEMBLE.

STEP ASM.

1

HARDWARE

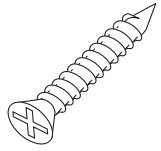
A

MODEL SIZE: H465 x W390 x D395

MODEL: HM 2282

HARDWARE

A



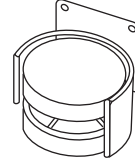
JCBC
30mm
x6

B



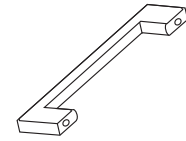
JCBC
16mm
x16

C



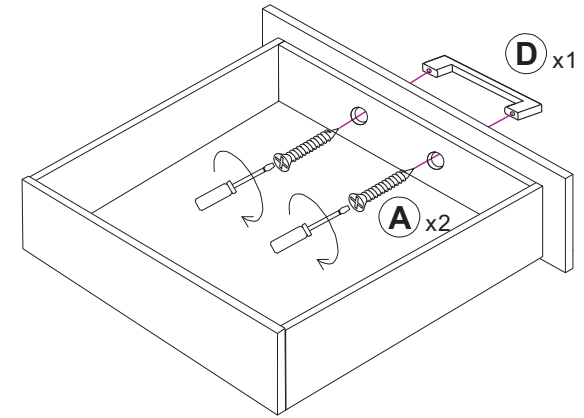
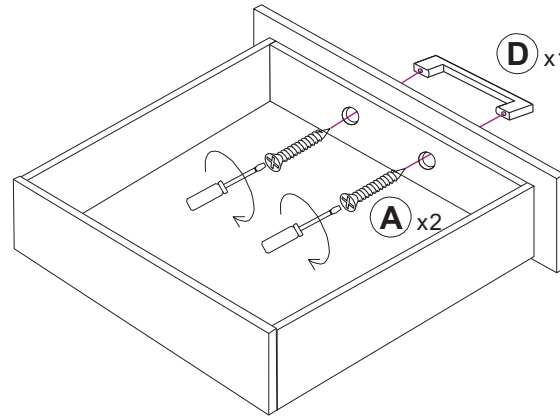
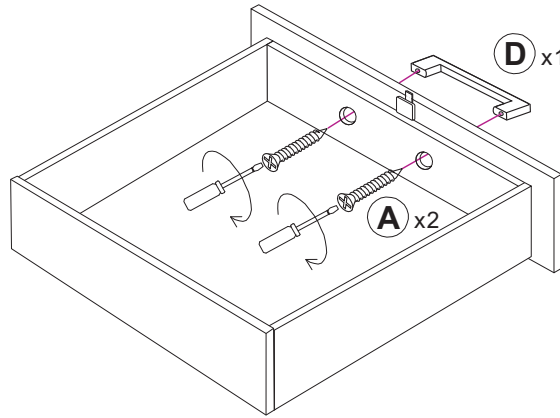
x4

D

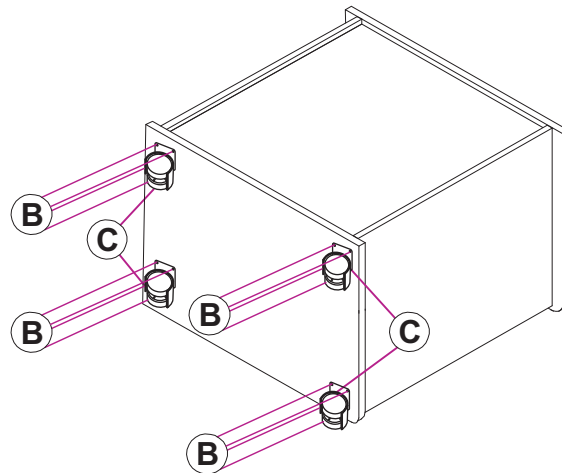
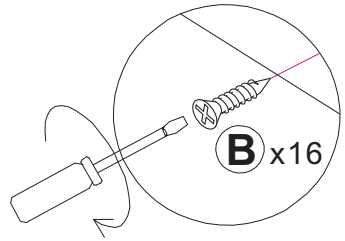


96mm
x3

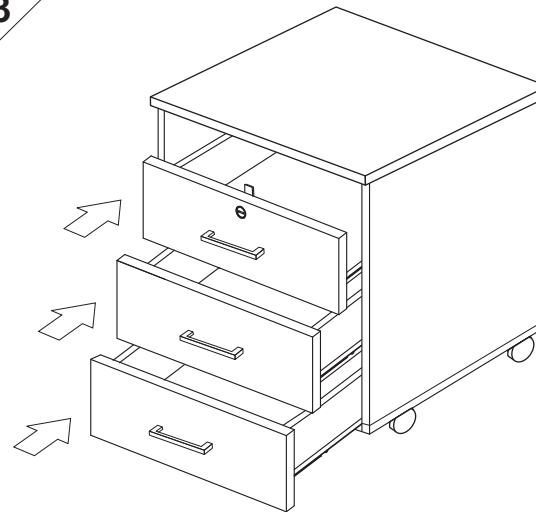
1



2



3



4

COMPLETED

