

PLEASE FOLLOW
THOSE NUMBERS AS
STATED BELOW FOR
EASY ASSEMBLE.

STEP ASM. HARDWARE PART

1

A

12

MODEL SIZE: H410 x W800 x D460

MODEL: HM2287

HARDWARE

A



JCBC
45mm
x4

B



JCBC
16mm
x16

C



JCBC
12mm
x16

D



25mm
x16

E



x4

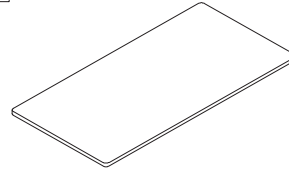
F



x4

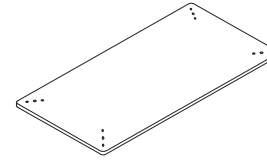
PART

1



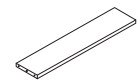
x1

2



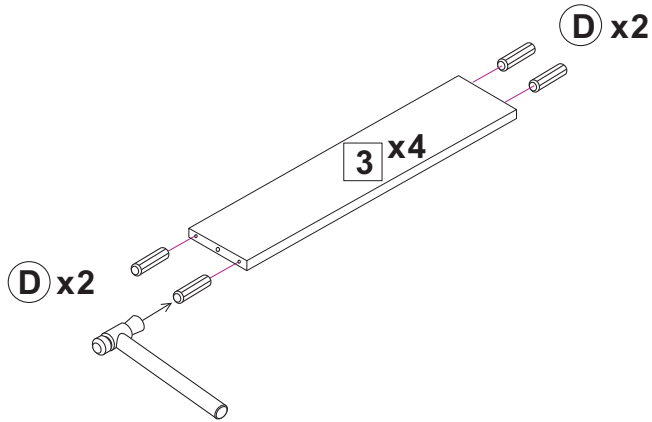
x1

3

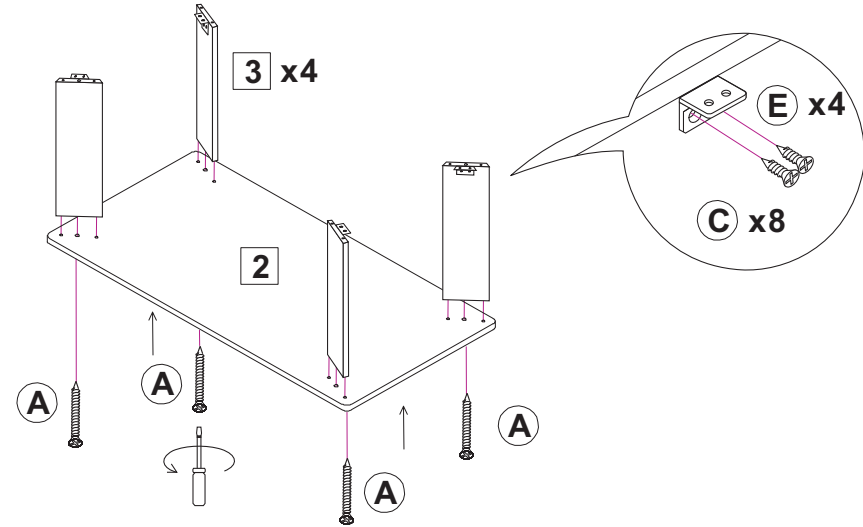


x4

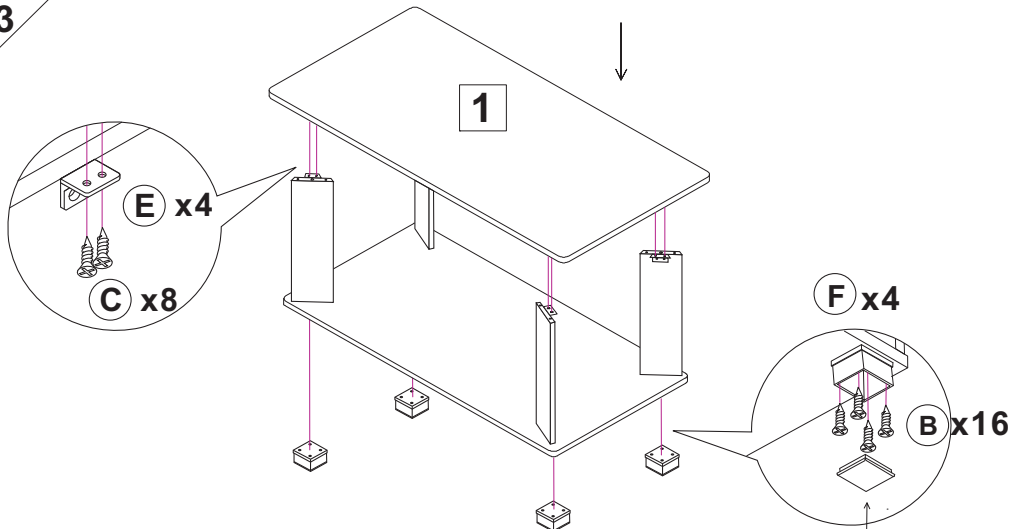
1



2

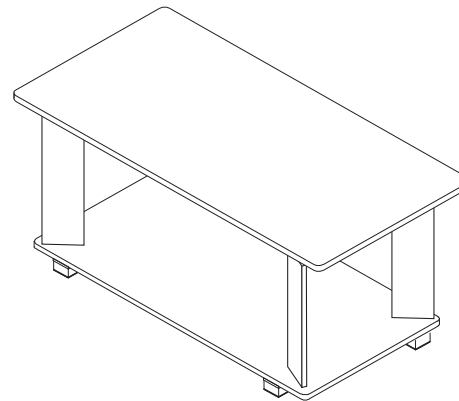


3



4

COMPLETED



5

