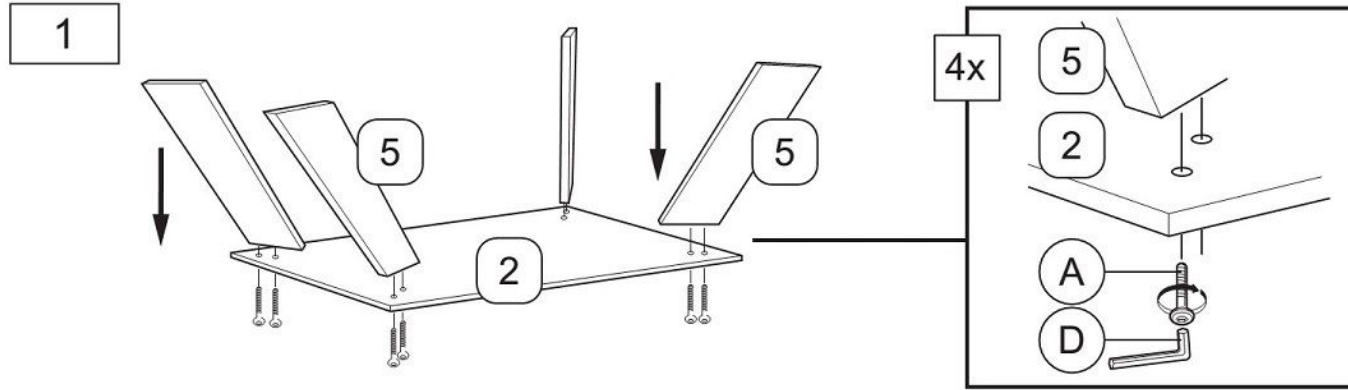


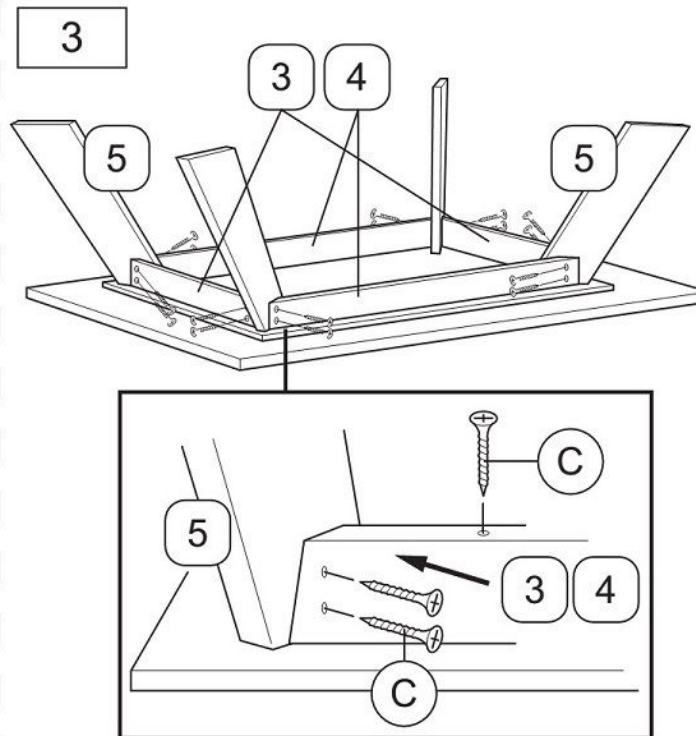
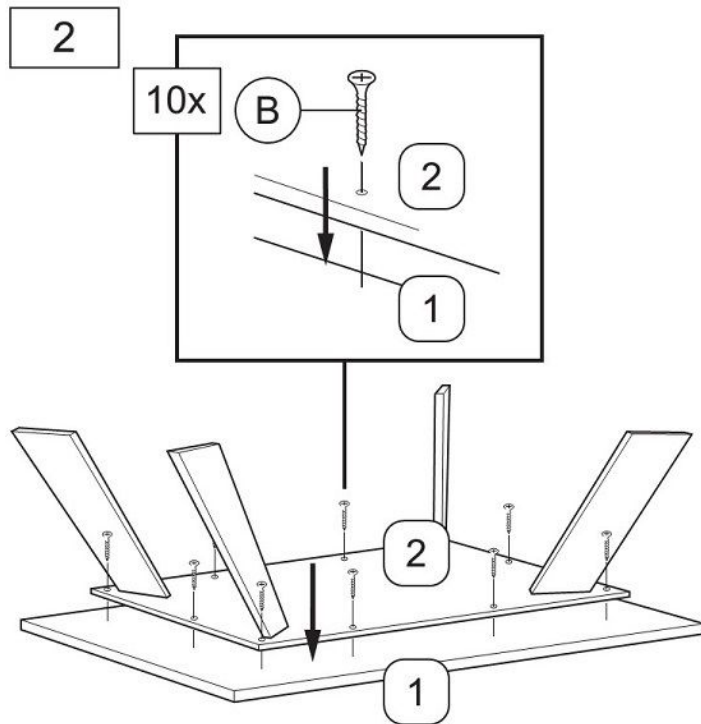
ASSEMBLY INSTRUCTION




MODEL: HM8312

Important note: - Place all wooden part on a clean and smooth surface such as rug or carpet to avoid the part from being scratch.
 - Please follow the assembly instruction step by step.
 - Do not tighten all screw until the table is fully set-up.



| No | Part List | QTY. |
|----|---------------|-------|
| 1 | Table Top | 1 pc |
| 2 | Support Panel | 1 pc |
| 3 | Apron - Short | 2 pcs |
| 4 | Apron - Long | 2 pcs |
| 5 | Leg | 4 pcs |



| No | Hardware List | QTY. |
|----|--|--------|
| A | JCBC M6 x 30mm  | 8 pcs |
| B | CSK M4 x 20 mm  | 10 pcs |
| C | CSK M4 x 32 mm  | 26 pcs |
| D | M4 Allen Key  | 1 pc |

COMPLETED ASSEMBLE

