

ASSEMBLY INSTRUCTIONS

MODEL : RECT SHAPE TABLE

IMPORTANT

PLEASE READ BEFORE YOU CONTINUE FURTHER

THE PRODUCT YOU HAVE PURCHASED WILL GIVE YOU MANY YEARS OF SERVICE IF YOU FOLLOW THE GUIDE LINES FOR IT'S SAFE ASSEMBLY AND PERIODIC MAINTENANCE AND CLEANING.

DO NOT USE ANY TOOLS OTHER THAN THOSE SHOWN.

ANY SPANNERS OR ALLEN KEY REQUIRED ARE INCLUDED WITH THE FITTING KIT.

DO NOT FOR ANY REASON USE A POWER TOOL TO ASSEMBLE THIS PRODUCT. IT'S USE WILL INVALIDATE ANY CLAIM YOU MAY HAVE AND COULD MAKE THIS PRODUCT UNSAFE.

DEPENDING ON THE AMOUNT OF USE THIS PRODUCT RECEIVES IT MAY BE NECESSARY TO TIGHTEN UP THE FIXING FROM TIME TO TIME. THIS IS COMPLETELY NORMAL FOR ANY FLAT PACK FURNITURE.

FOR CLEANING YOU MAY USE A DAMP CLOTH (NOT WET) DRY DUSTER AND NORMAL FURNITURE POLISH.

FOR PRODUCT THAT INCLUDE SEAT PADS.

SEAT PADS MAY STAIN OR MARK IF ALLOWED TO COME INTO CONTACT WITH WET OR DAMP OBJECTS AS MATERIALS USED HAVE NOT BEEN SCOTH GUARDED.

THE SURFACE OF THIS ITEM IS NOT HEAT RESISTANT. ALWAYS USE A PLACEMAT UNDER HOT OR COLD ITEMS TO PREVENT MARKING.

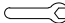



Please read instructions carefully

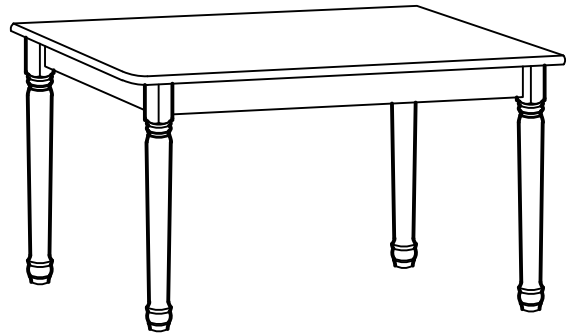
- 1) Remove all wrapping materials, staples and packing straps from the carton.
- 2) Refer to Parts List and Hardware List and ensure they are complete before you start assembling.
- 3) Place all wooden parts on a clean, flat and soft surface (e.g carpet or rug) to prevent parts from being scratched.
- 4) Do not fully tighten bolts and nuts until all parts have been assembled.

PARTS LIST (FOR 1 NOS. OF TABLE)

NO.	COMPONENT	QTY.
P1	TABLE TOP	1
P2	TABLE LEG	4

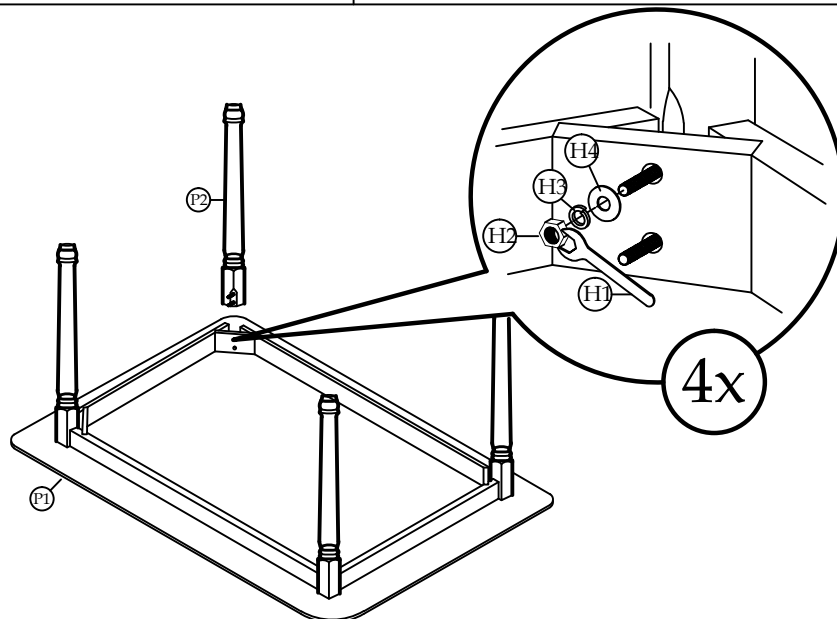
HARDWARE LIST (FOR 1 NOS. OF TABLE)

NO.	DESCRIPTION	QTY.
H1	SPANNER 	1
H2	HEX NUT 	8
H3	SPRING WASHER 	8
H4	FLAT WASHER 	8



COMPLETE ASSEMBLY

STEP 1



CAUTION - To avoid any risk of suffocation to children and animals, dispose off plastic bags immediately.
 - Keep all hardware parts out of reach of children.