

# ASSEMBLY INSTRUCTION

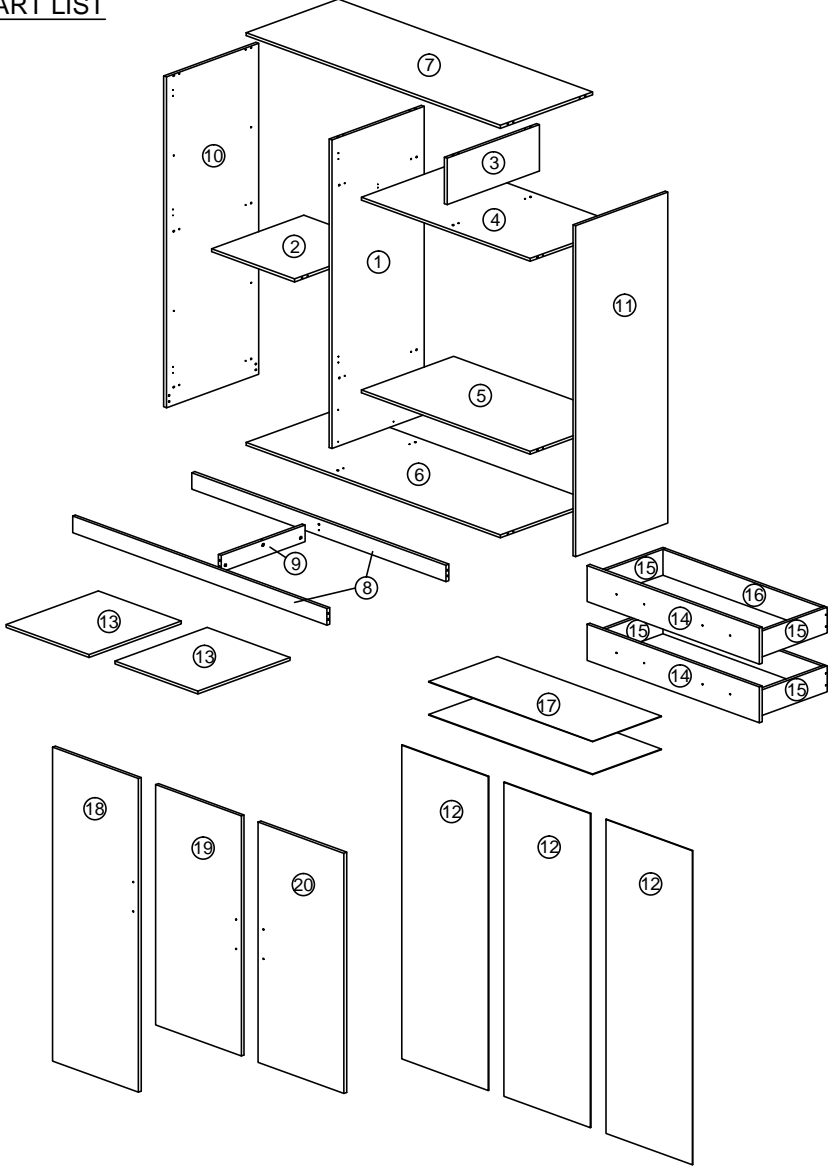
MODEL : HM 384.01

DESCRIPTION : 3 DOOR WORDROBE

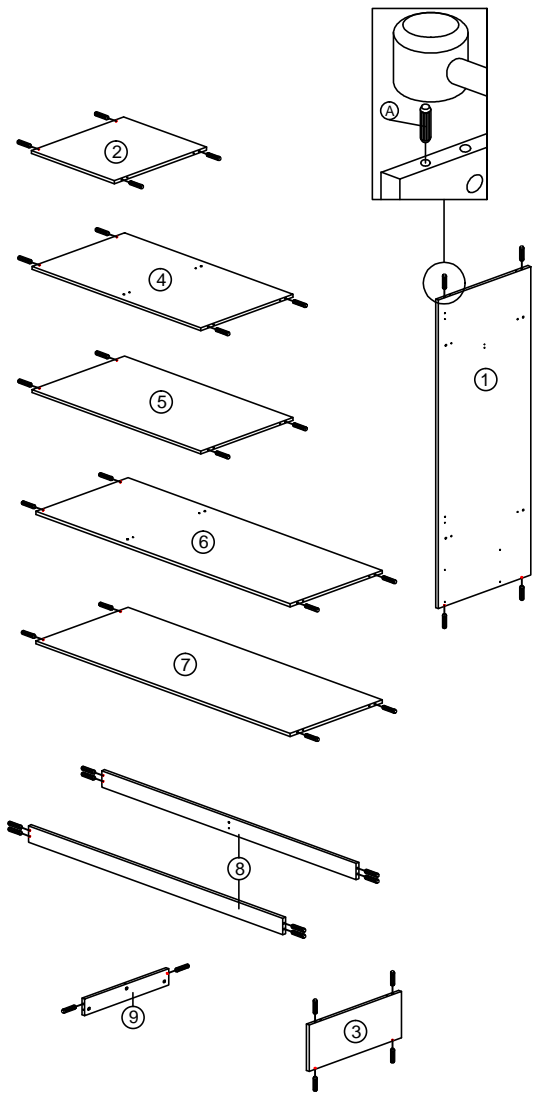
HARDWARE

<b>A</b> WOOD DOWEL 8 X 25 38	<b>B</b> 16MM CB SCREW M3.5X16MM 56	<b>C</b> 38MM CB SCREW M4X38MM 16	<b>D</b> 50MM CSK CAP M6X50MM 2	<b>E</b> NAIL 5/8 55	<b>F</b> L KEY 1	<b>G</b> MINIFIX CAP 31	<b>H</b> H1 H2 MINIFIX (HOUSING) MINIFIX (EURO 24) 29 SETS	<b>I</b> I1 I2 I3 HANDLE AW 75-782A 160MM HANDLE SCREW M4X19MM HANDLE SCREW M4X35MM 7 6 8	<b>J</b> V BRACKET 2	<b>K</b> K1 K2 DRAWER SLIDE 16" 2 SETS	<b>L</b> CHROME PIPE 1	<b>M</b> SHELF SUPPORT 8	<b>N</b> HINGES 5/8 7
--	---	---	---	----------------------------	------------------------	-------------------------------	---	--	----------------------------	---	------------------------------	--------------------------------	-----------------------------

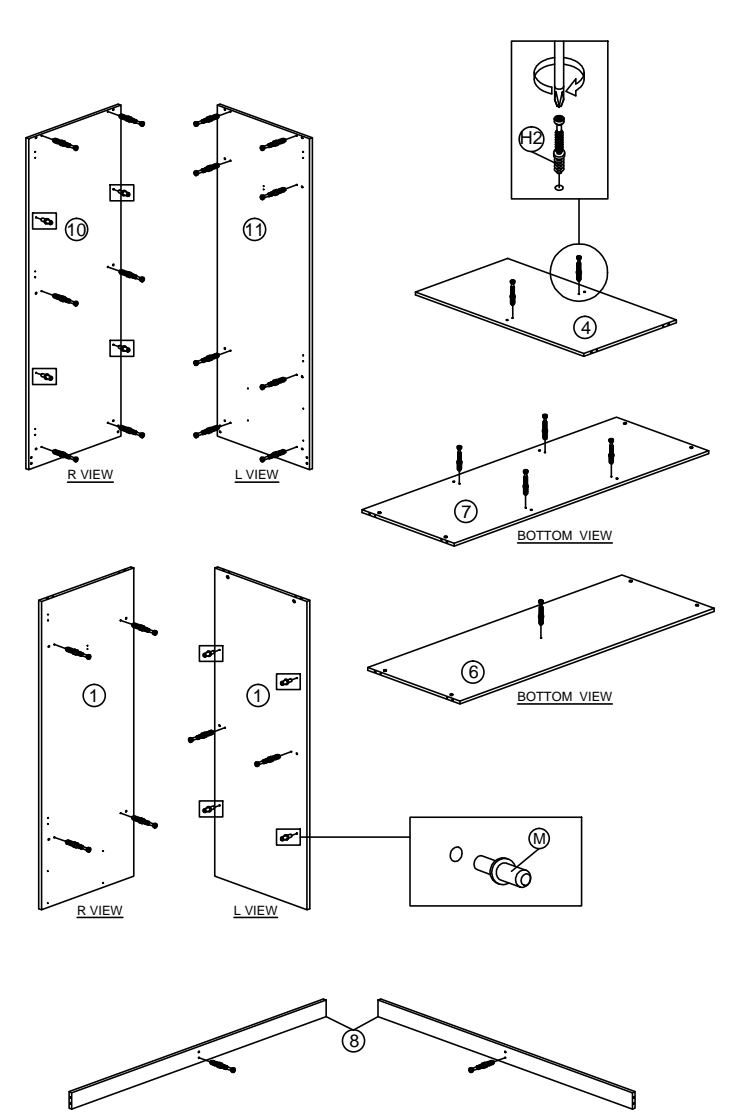
## PART LIST



## STEP 1

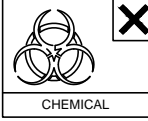


## STEP 2

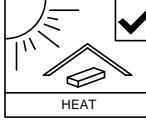




SOFT, DRY CLOTH



CHEMICAL



HEAT



KEEP DRY



HANDLE WITH CARE



DO NOT USE KNIFE

# ASSEMBLY INSTRUCTION

MODEL : HM 384.01

DESCRIPTION : 3 DOOR WORDROBE

**STEP 3**

**STEP 4**

**STEP 5**

**STEP 6**

**STEP 8**

**STEP 7**

**STEP 9**

**STEP 10**

**STEP 12**

**STEP 14**

**STEP 11**

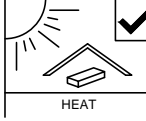
**STEP 13**



SOFT, DRY CLOTH



CHEMICAL



HEAT



KEEP DRY



HANDLE WITH CARE



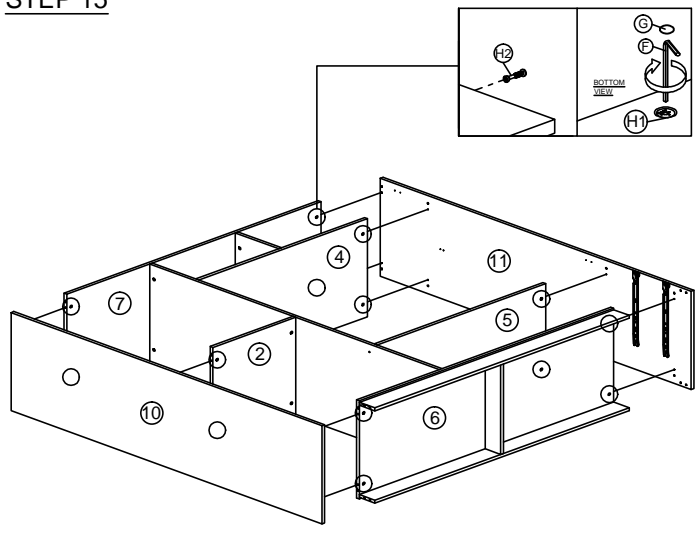
DO NOT USE KNIFE

# ASSEMBLY INSTRUCTION

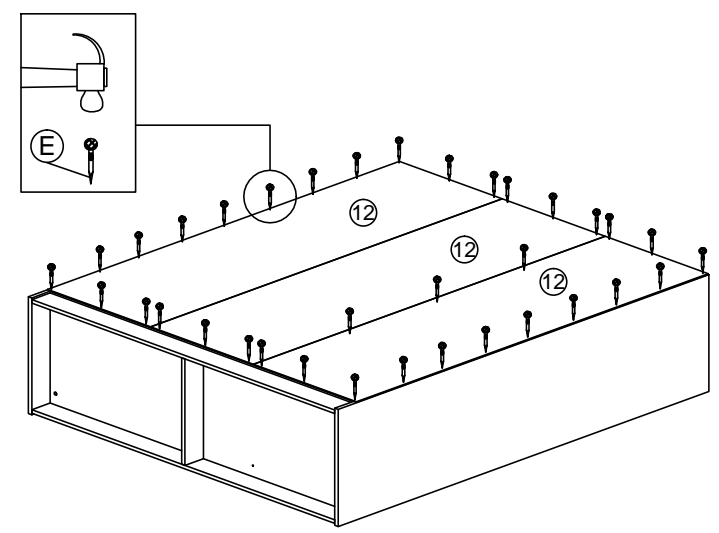
MODEL : HM 384.01

DESCRIPTION : 3 DOOR WORDROBE

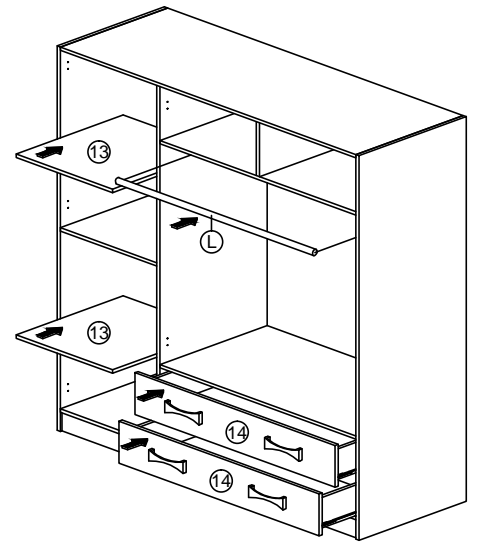
## STEP 15



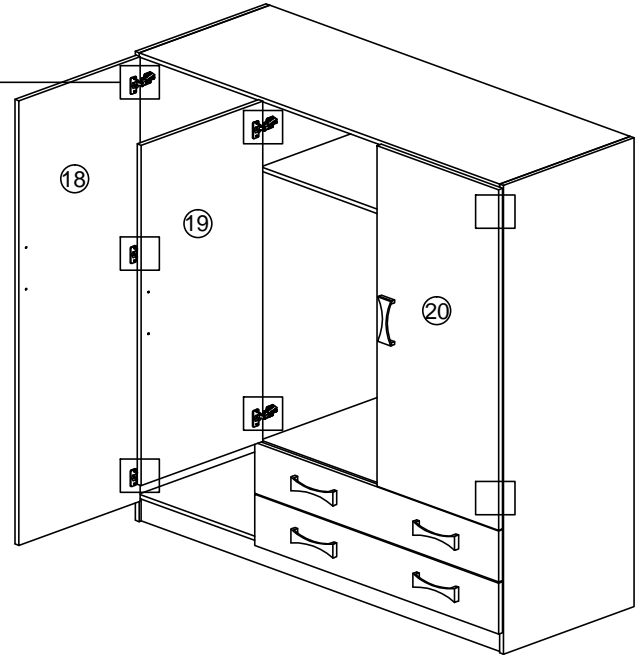
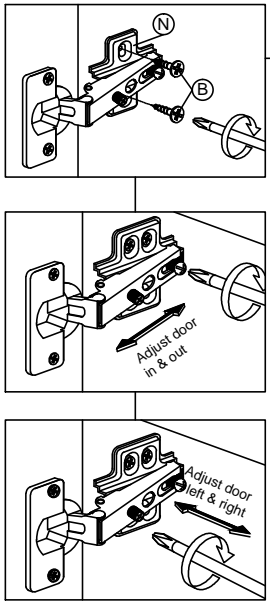
## STEP 16



## STEP 17



## STEP 18



## COMPLETED

