
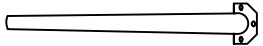
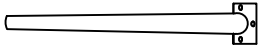
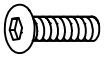
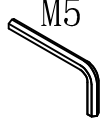
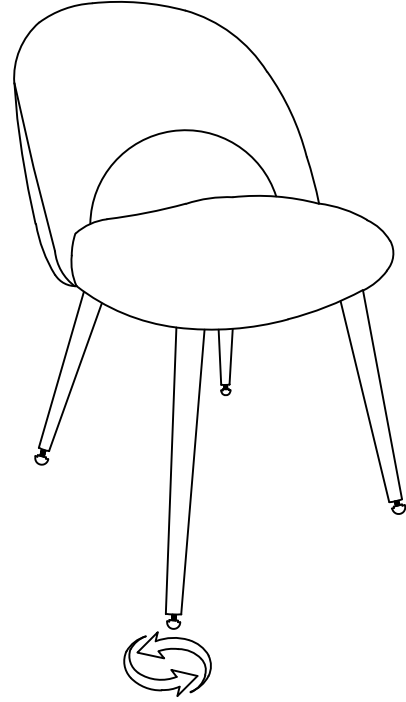
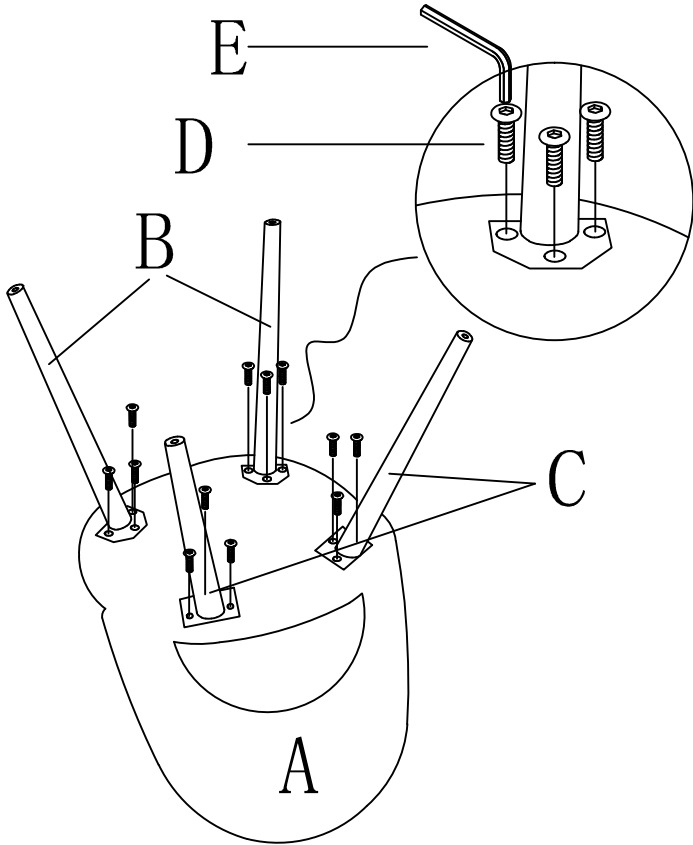


<p>A</p>  <p>1PC</p>	<p>B</p>  <p>2PCS</p>	<p>C</p>  <p>2PCS</p>	
<p>D</p> <p>6*25mm</p>  <p>12PCS</p>	<p>E</p> <p>M5</p>  <p>1PC</p>		



FASTEN/LOOSE THE PAD TO MAKE IT EVEN IF NEEDED

