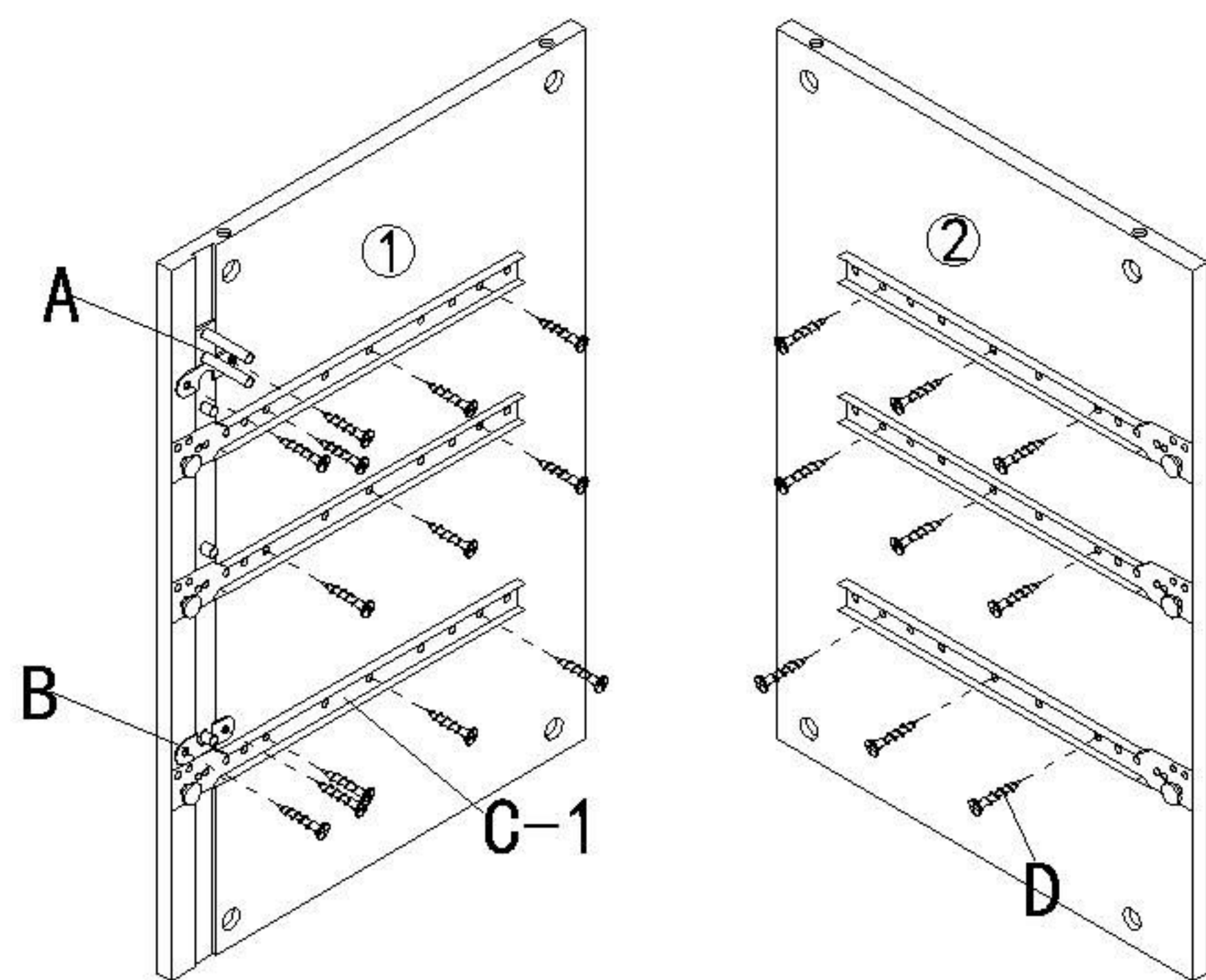
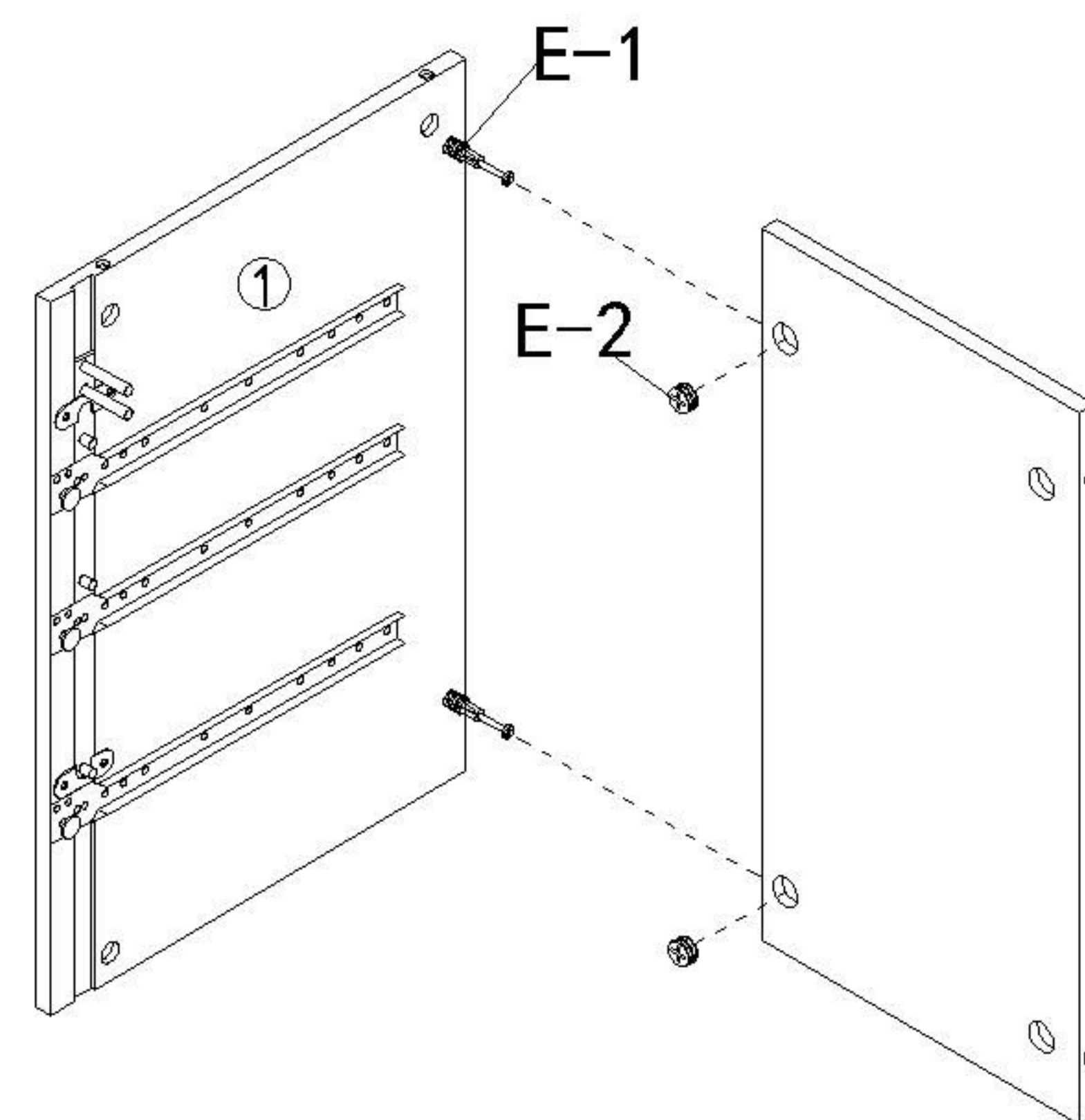


1



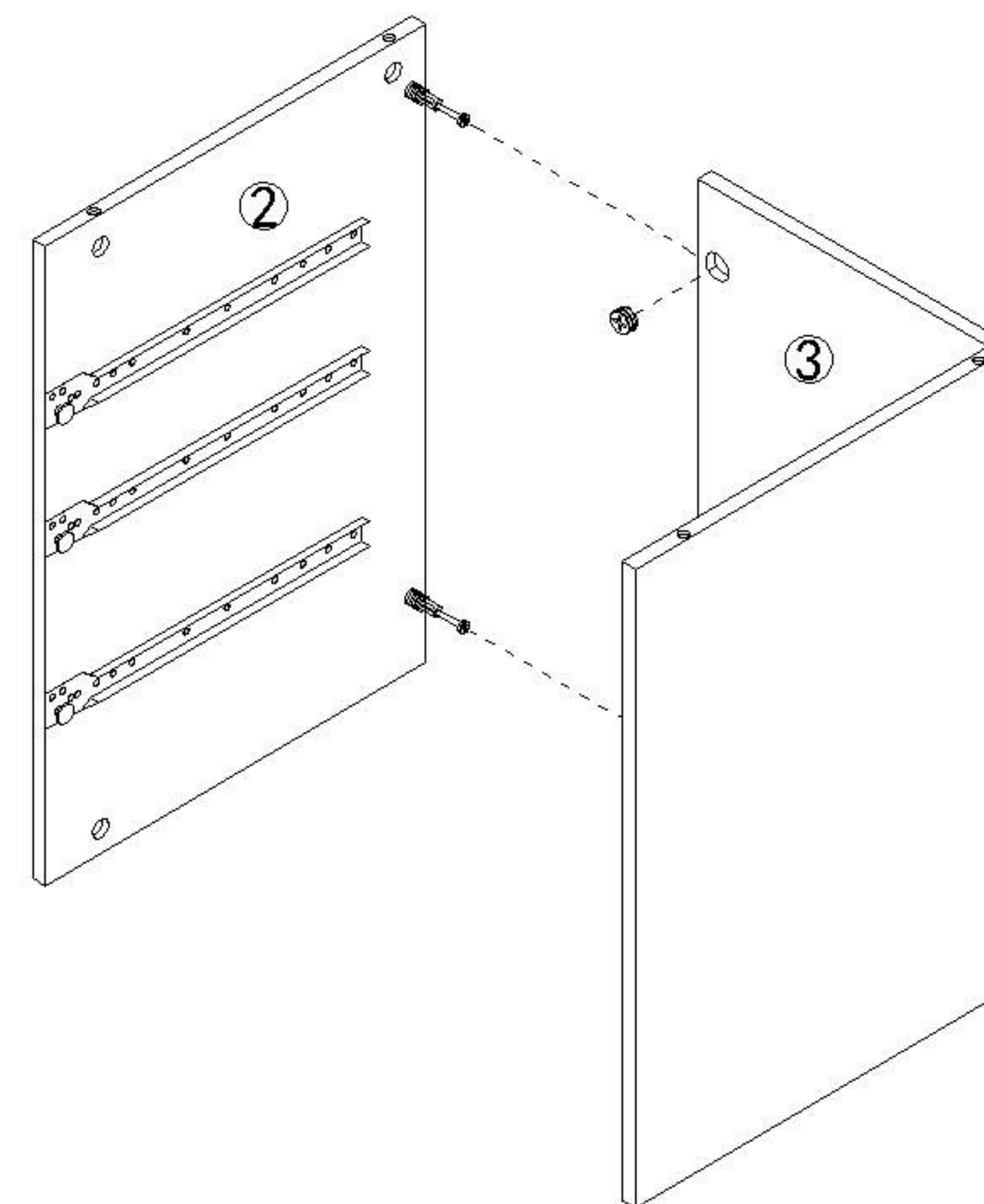
Ax1 Bx2 C-1x6 Dx22

2



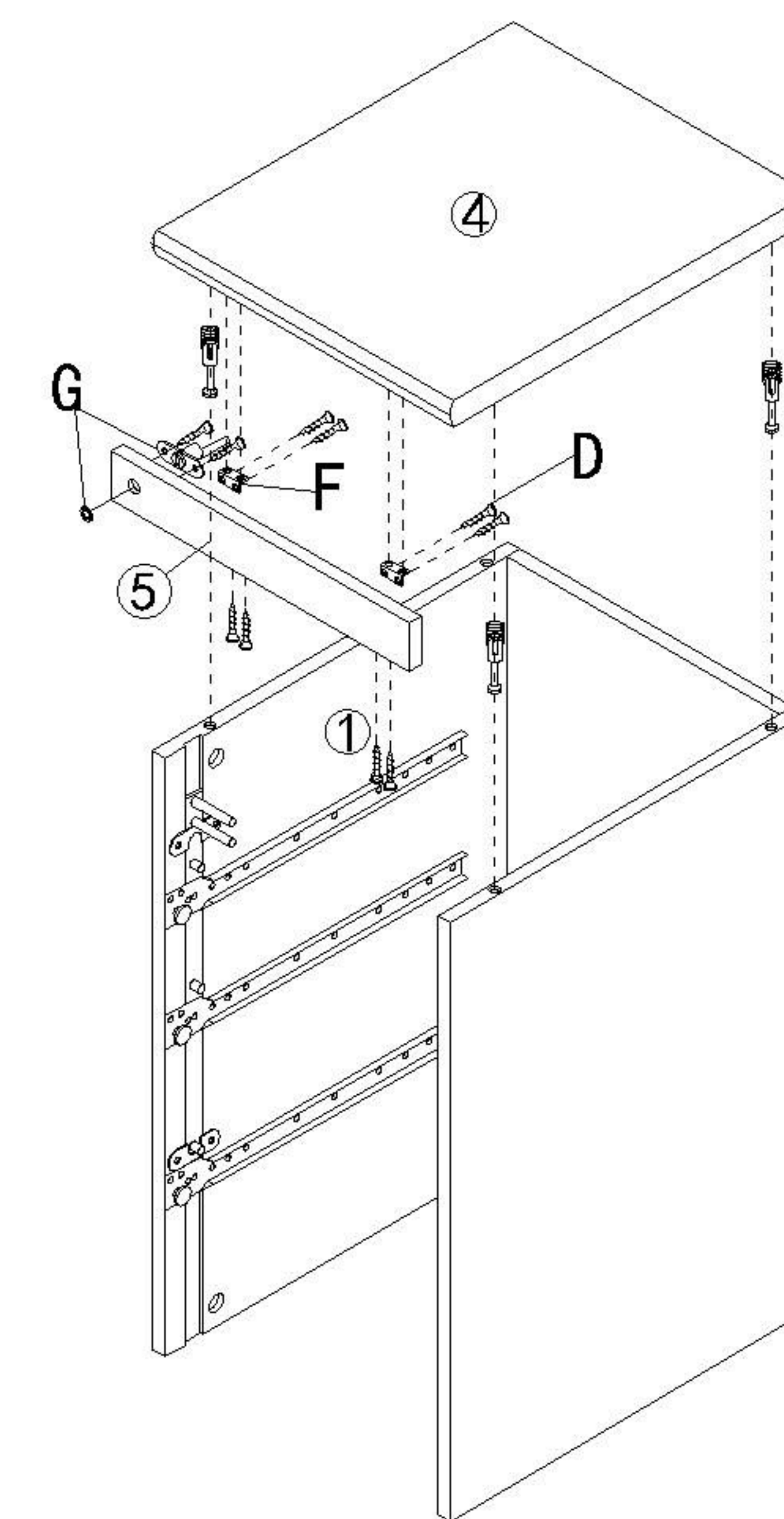
E-1x2 E-2x2

3



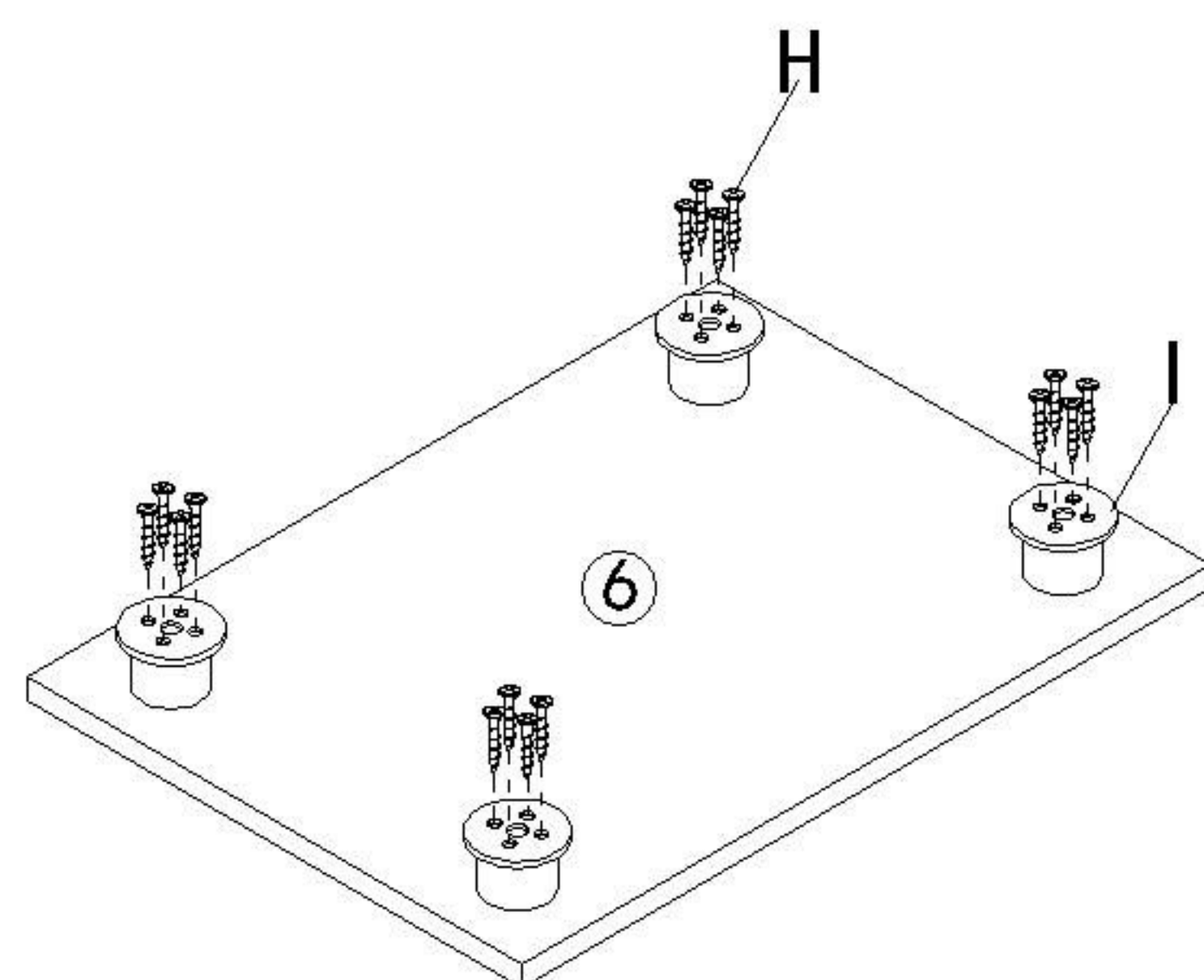
E-1x2 E-2x2

4



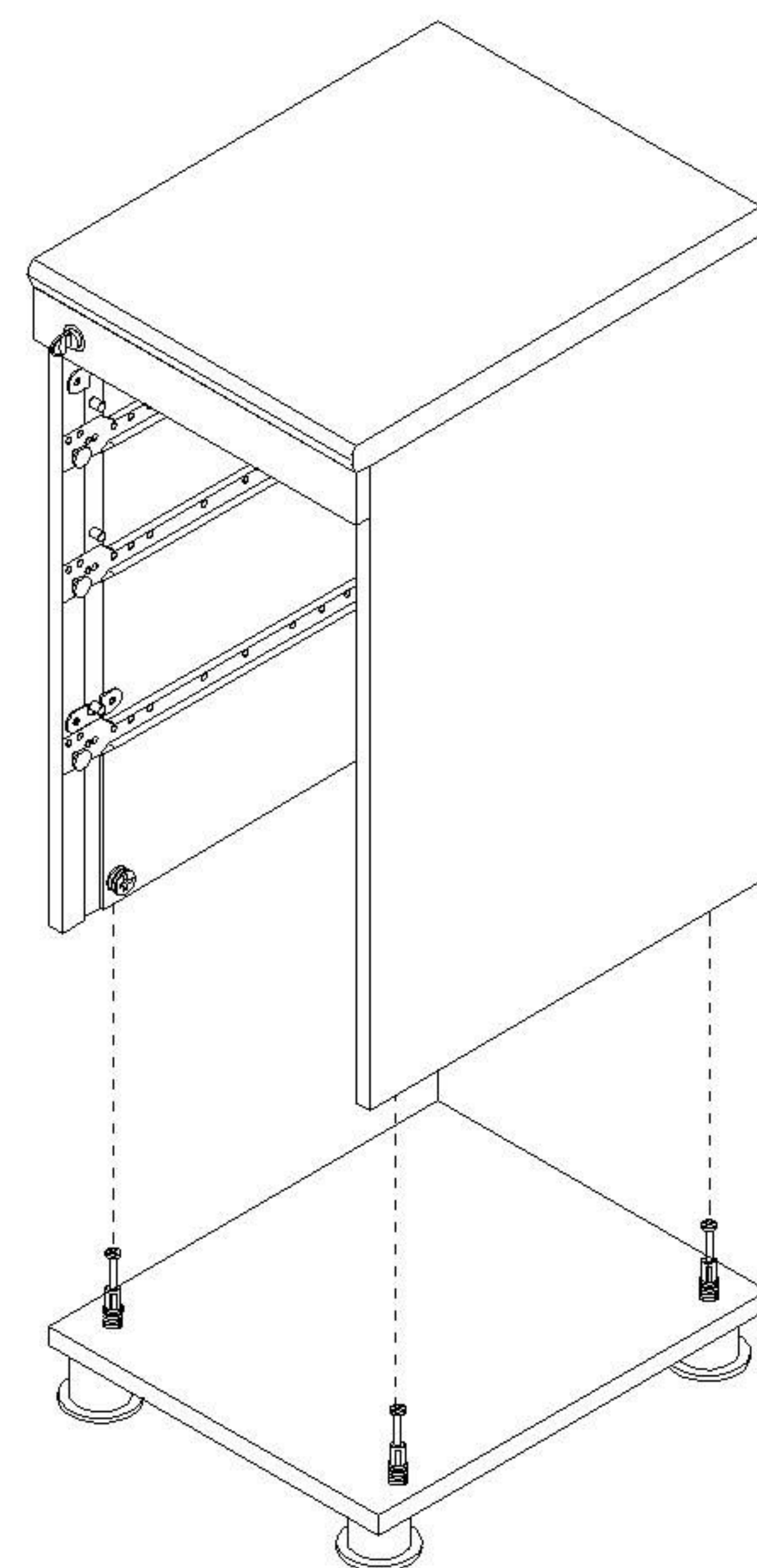
Fx2 Gx1 Dx10 E-2x4

5



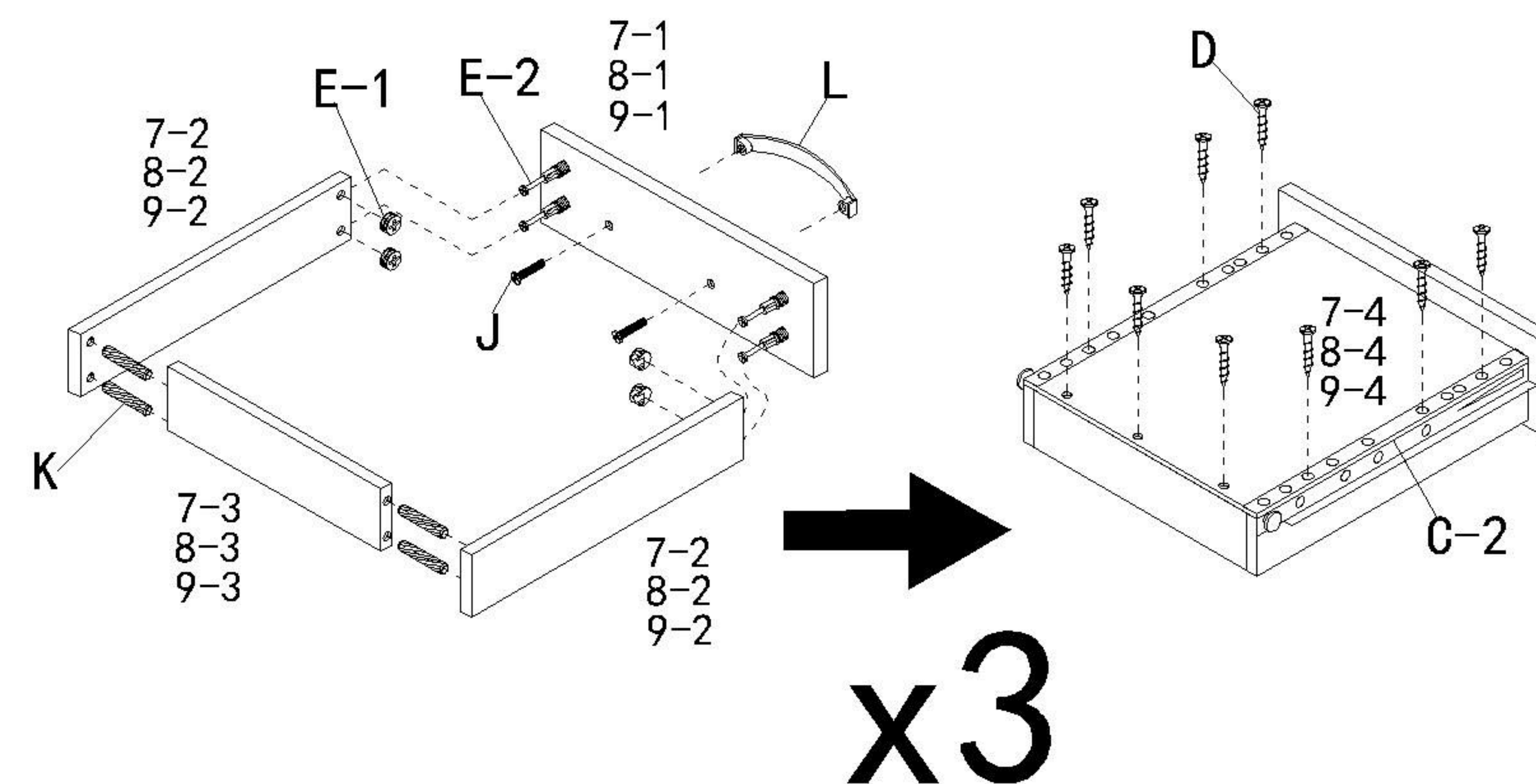
Hx16 Ix4

6

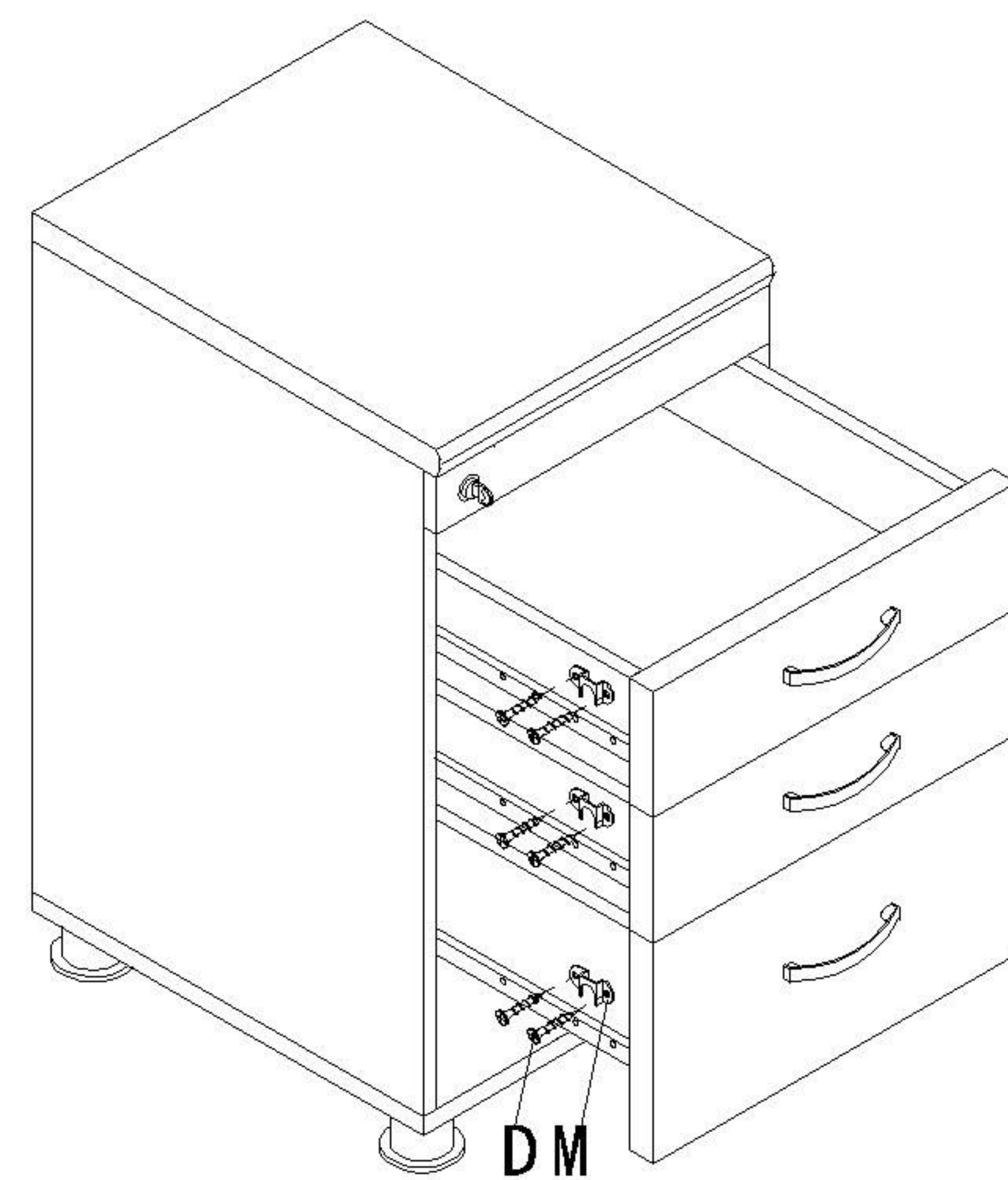
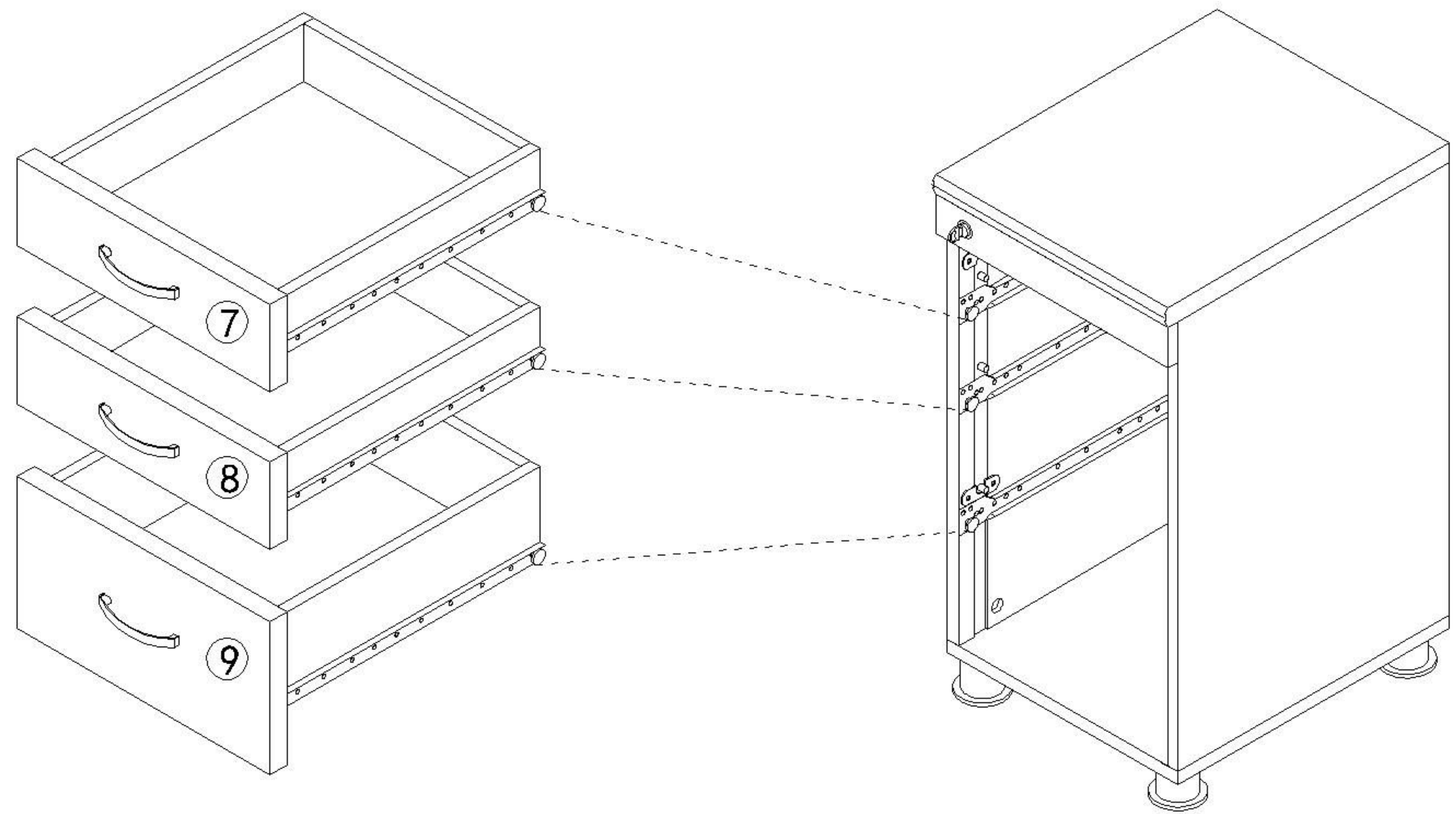




E-1x4 E-2x4



7

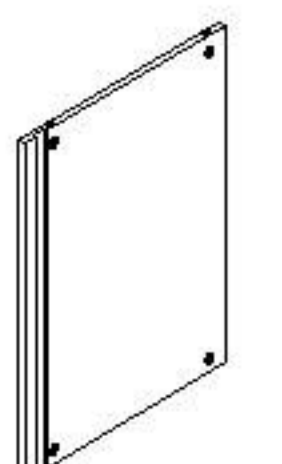
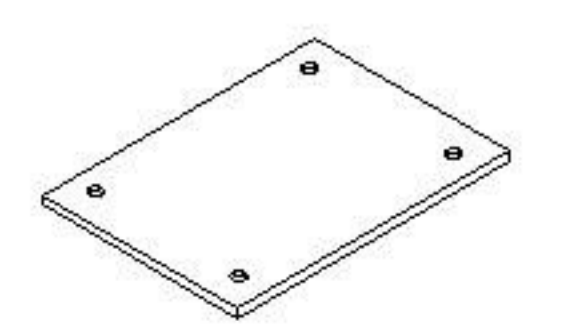
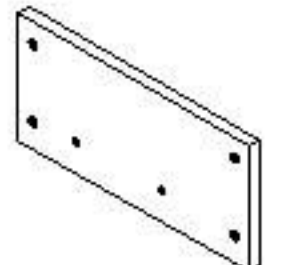
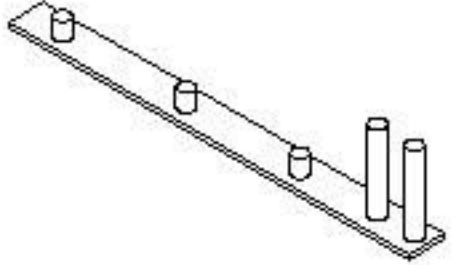

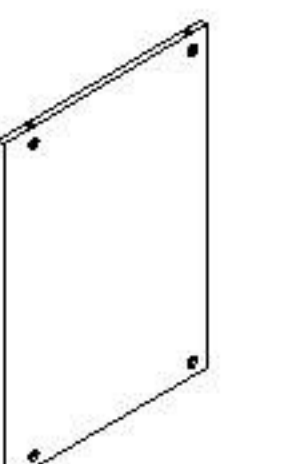
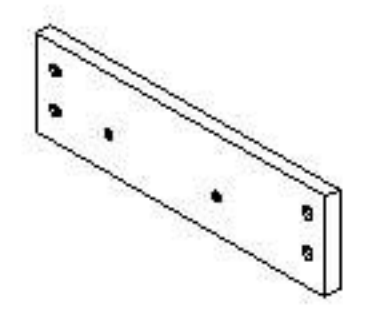
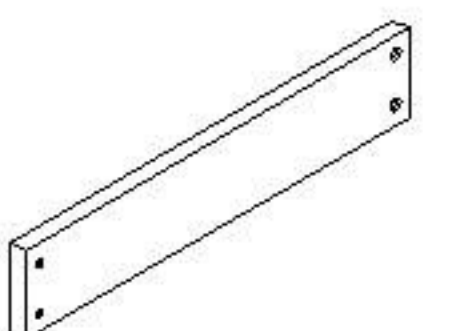
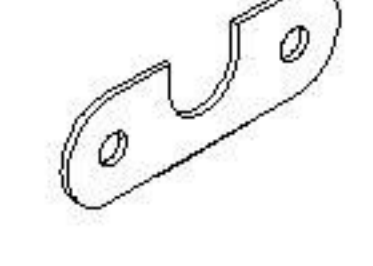
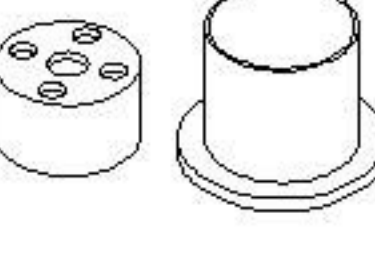
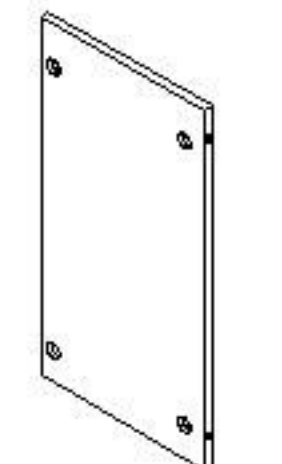
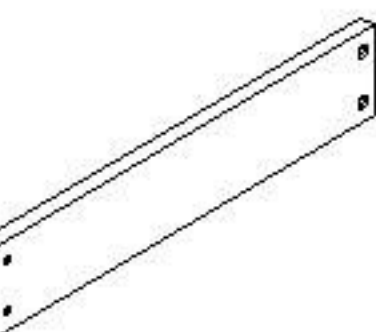
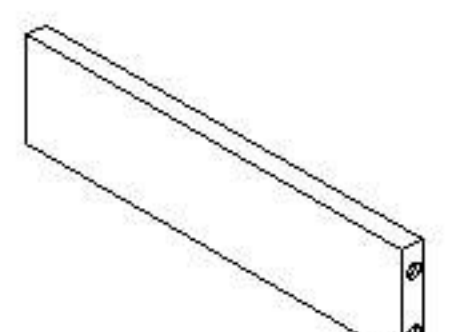
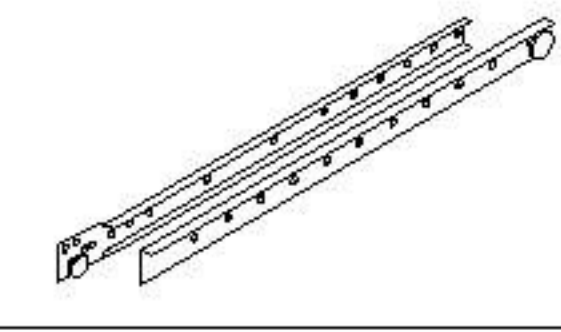
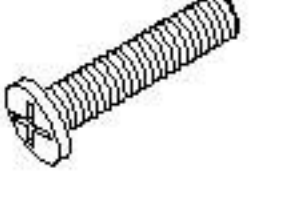
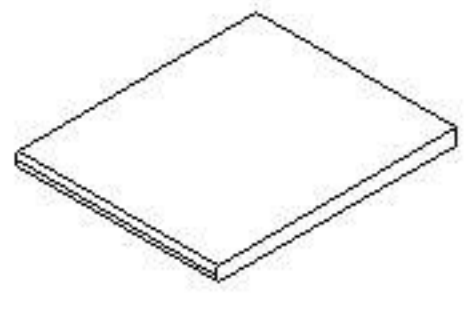
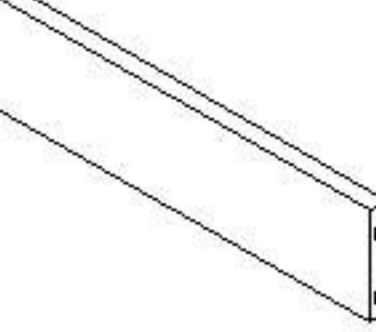
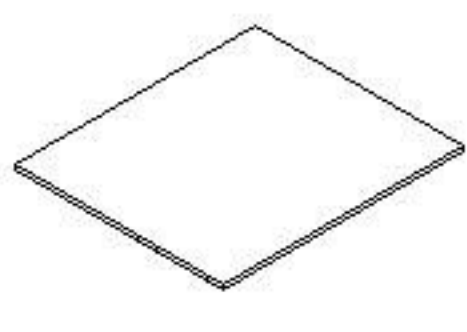

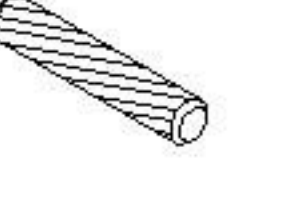
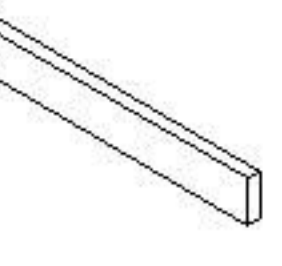

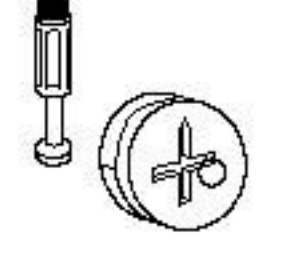
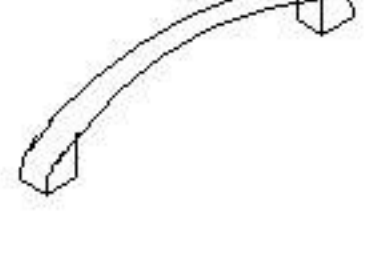
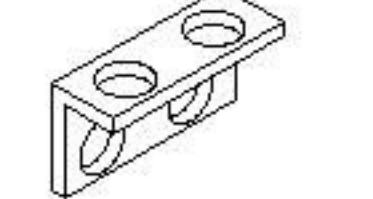
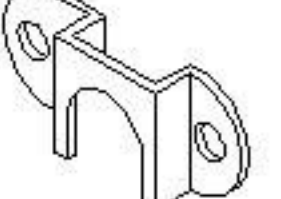
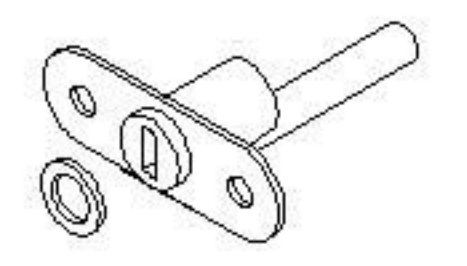


Lx3 Jx6 Kx12 Dx27 C-2x6 E-1x12 E-2x12



E-1x2  E-2x2 

Dx6  Mx3 

1		1PC	6		1PC	9-1		1PC	A		1PC	H		16PCS
2		1PC	7-1 8-1		2PCS	9-2		2PCS	B		2PCS	I		4PCS
3		1PC	7-2 8-2		4PCS	9-3		1PC	C		6PCS	J		6PCS
4		1PC	7-3 8-3		2PCS	9-4		1PC	D		65PCS	K		12PCS
5		1PC	7-4 8-4		2PCS				E		24PCS	L		3PCS
									F		2PCS	M		3PCS
									G		1PC			