

ASSEMBLY INSTRUCTION

PARTS AND HARDWARE

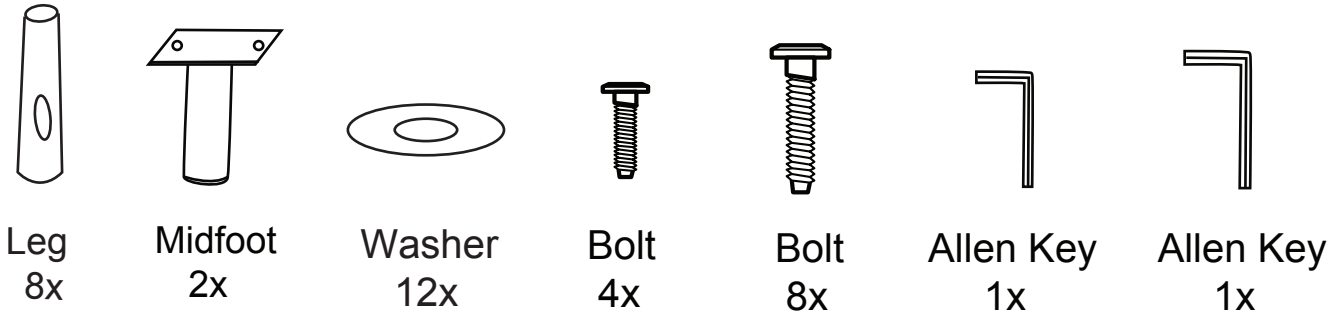


DIAGRAM 1

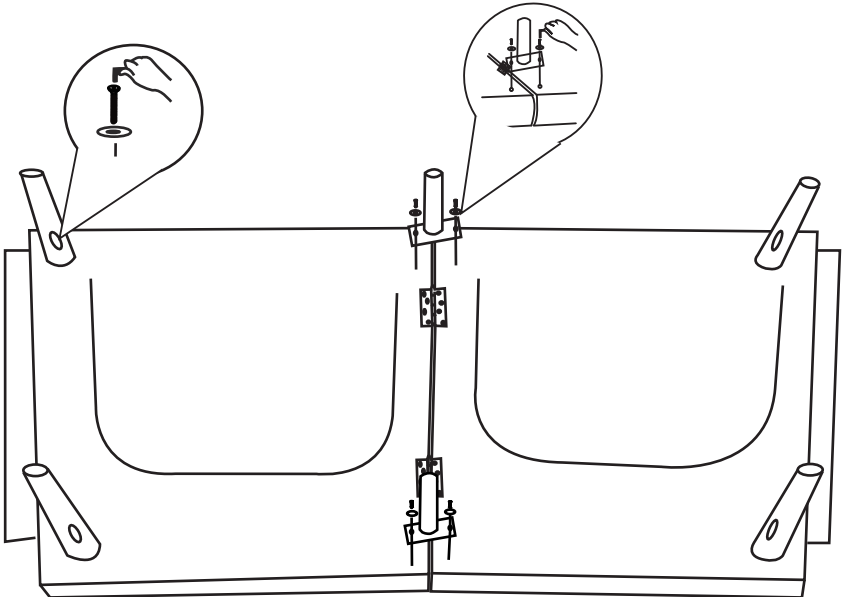


DIAGRAM 2

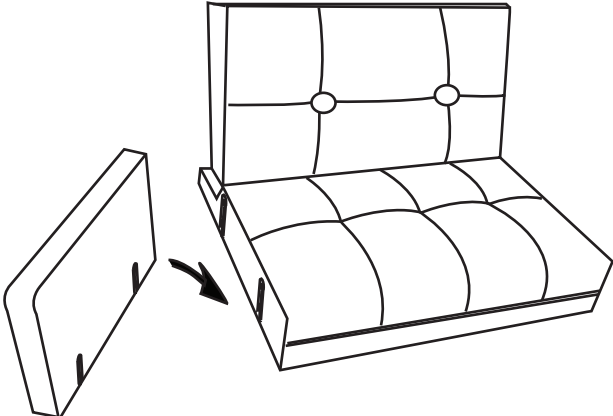
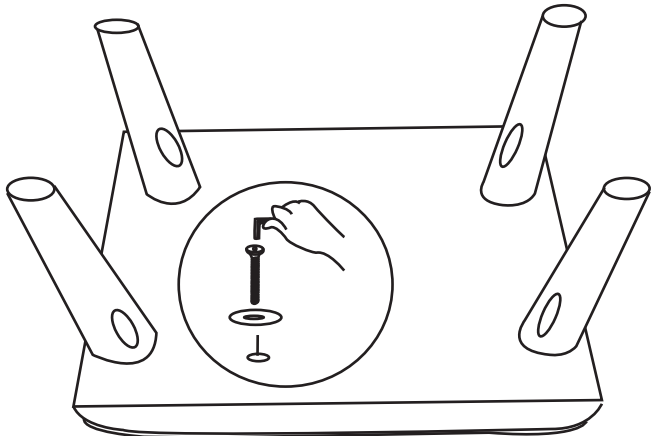


DIAGRAM 3



ASSEMBLY INSTRUCTIONS

DIAGRAM 4



DIAGRAM 5

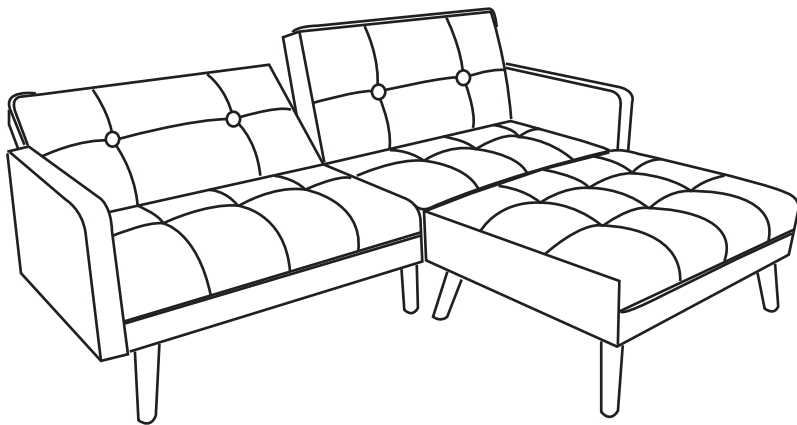


DIAGRAM 6

