

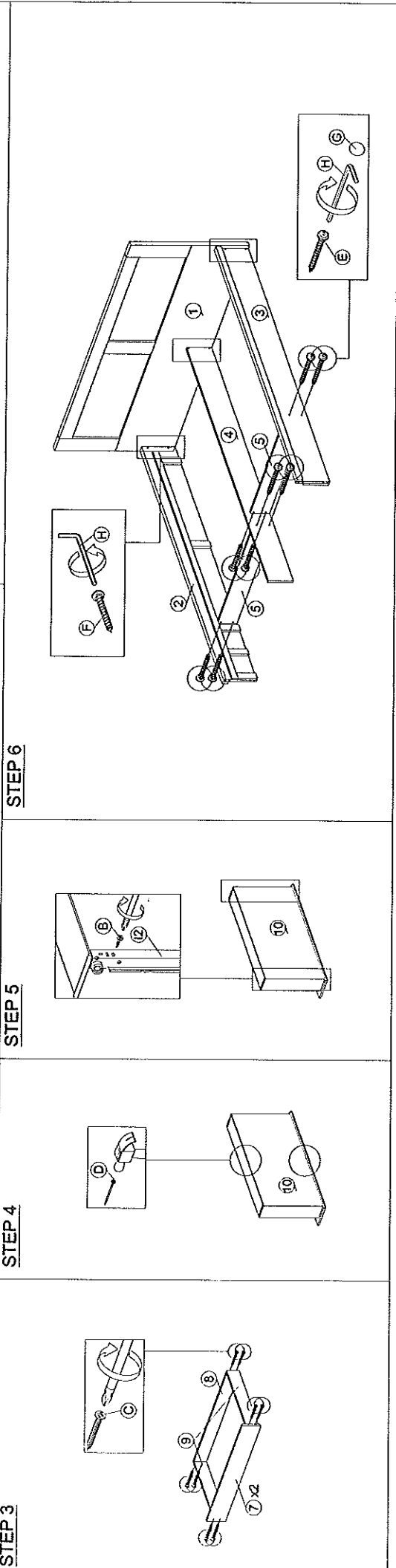
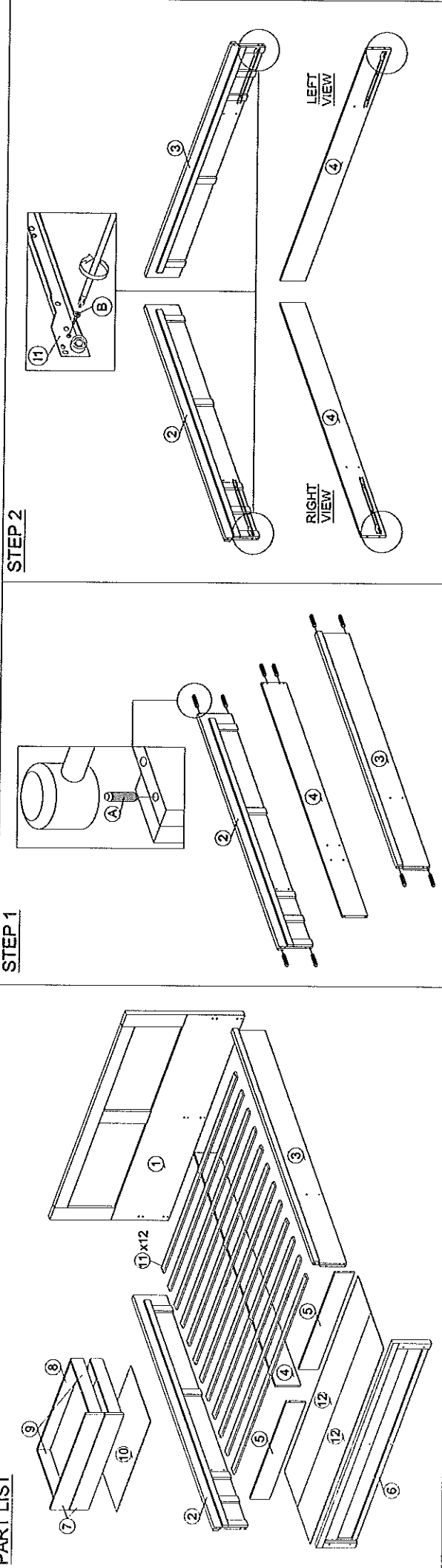
ASSEMBLY INSTRUCTION

DESC: QUEEN BED WITH 2 DRAWERS

MODEL : HM 312

	SOFT DRY CLOTH	CHEMICAL	HEAT	KEEP DRY	HANDLE WITH CARE	DO NOT USE KNIFE

HARDWARE		PART LIST	
A	WOOD DOVELL 8 X 25	10	10
B	CB SCREW 16X30MM	24	28
C	CB SCREW 14X30MM	28	28
D	NAIL 56	20	20
E	CSK CAP WOOD MIX50MM	10	10
F	CSK CAP WOOD MIX70MM	10	10
G	MINIFIX CAP	20	20
H	L KEY	1	1
I	DRAWER SLIDE 18"	2	11
			12

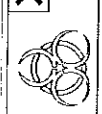




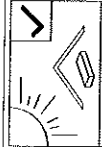
STEP 7



SOFT, DRY CLOTH



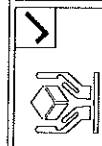
CHEMICAL



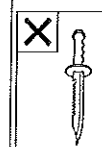
HEAT



KEEP DRY



HANDLE WITH CARE



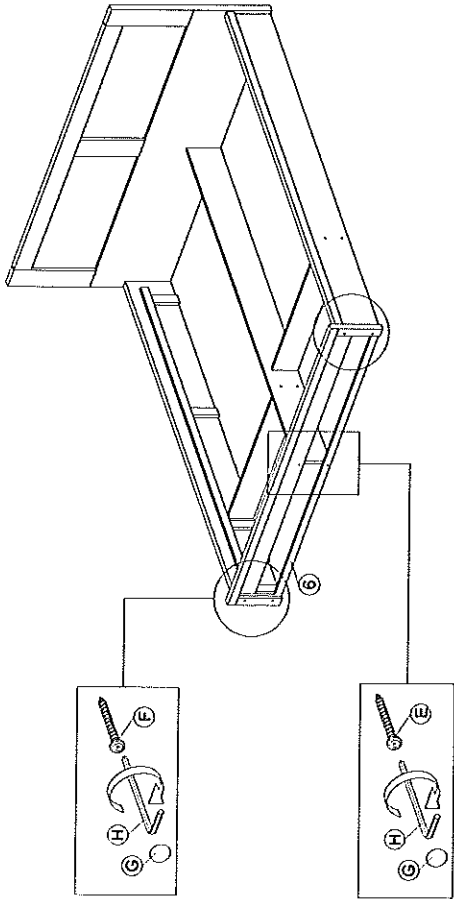
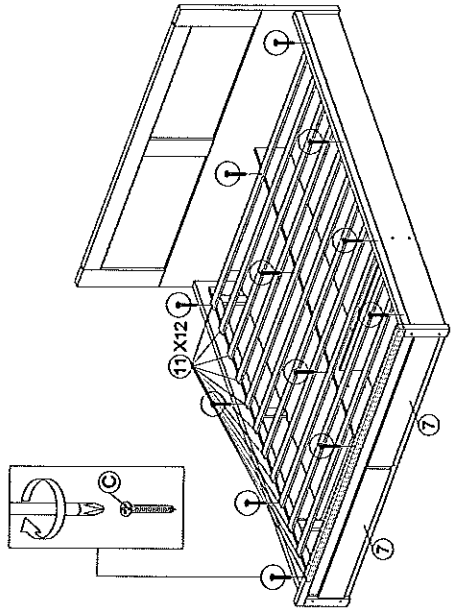
DO NOT USE KNIFE

ASSEMBLY INSTRUCTION

MODEL : HM 312

DESC: QUEEN BED WITH 2 DRAWERS

STEP 8



STEP 9

COMPLETED

