

A × 20



B × 20



C × 28



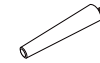
D × 48



E × 18



F × 4



G × 4



H × 20



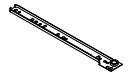
I × 8



J × 16



K × 1



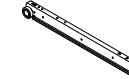
CL × 4



CR × 4

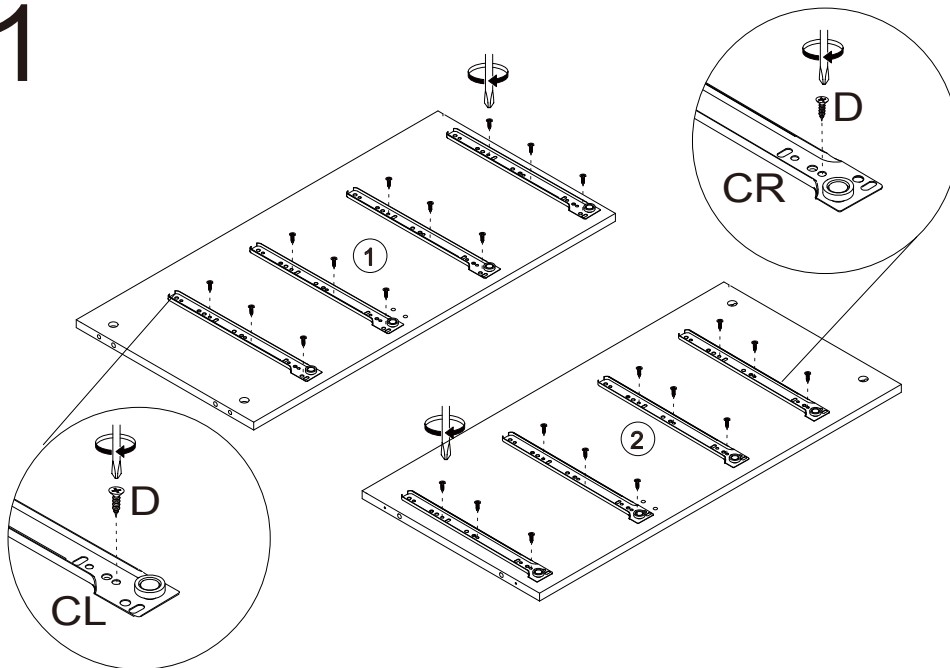


DL × 4

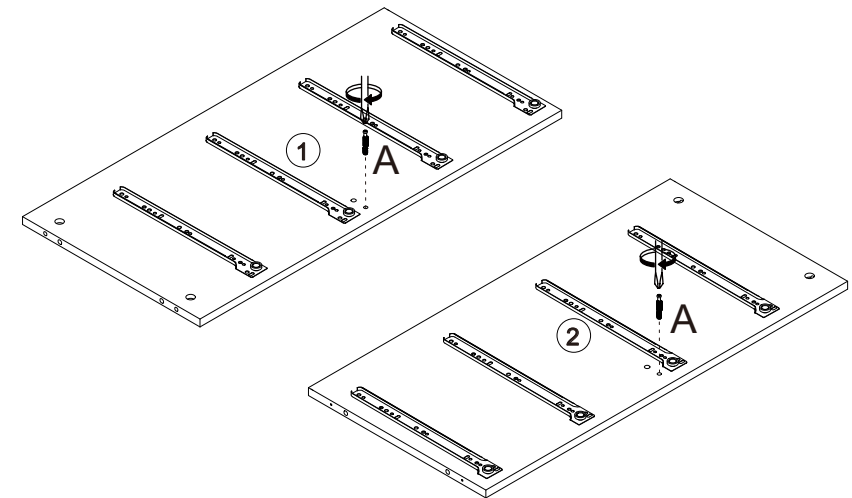


DR × 4

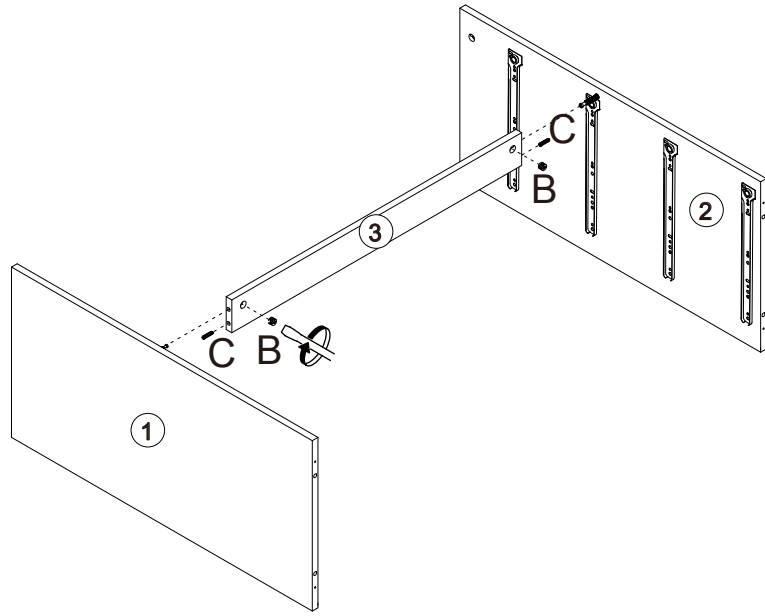
1



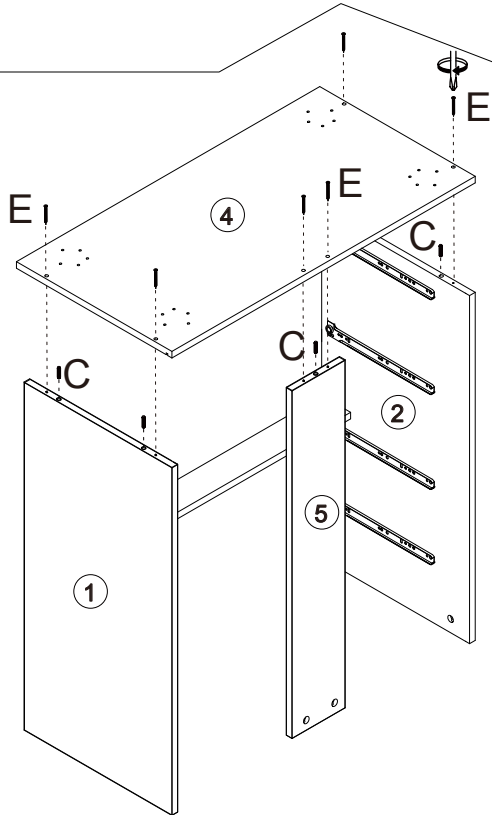
2



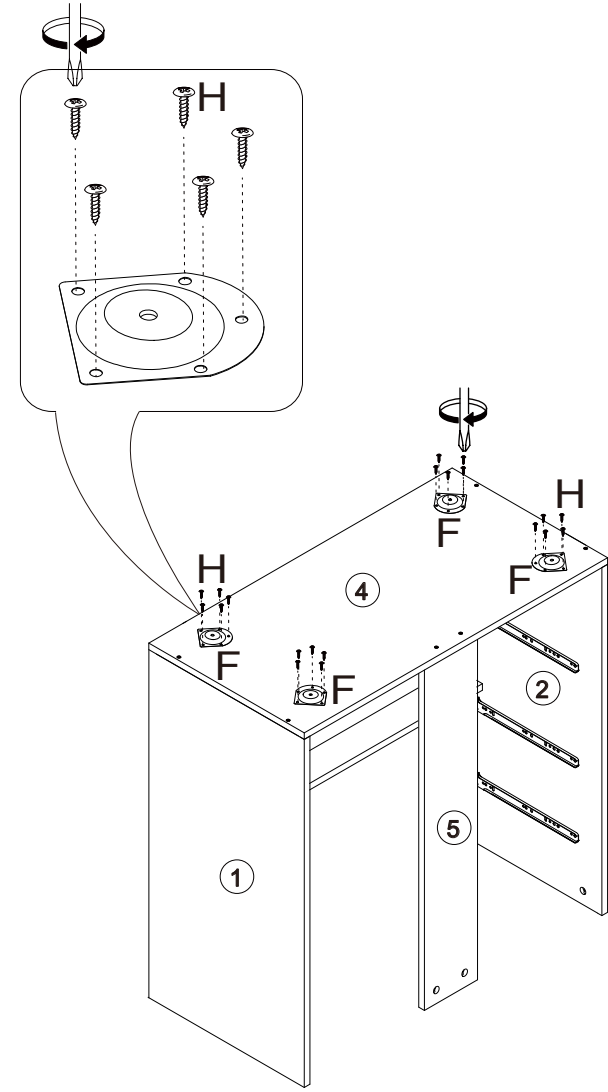
3



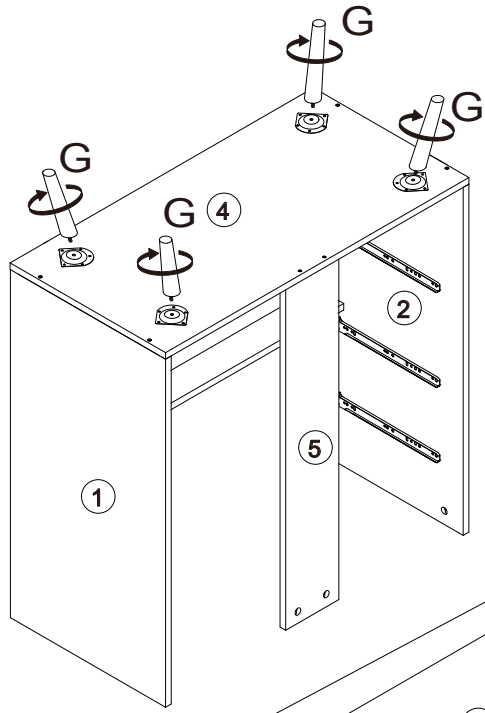
4



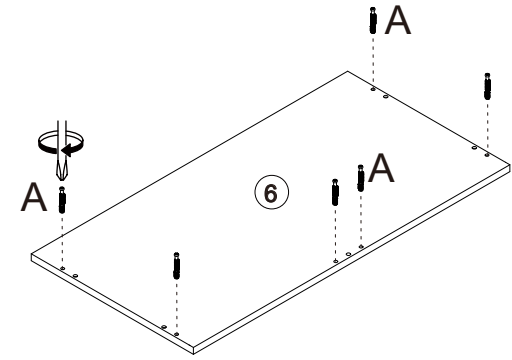
5



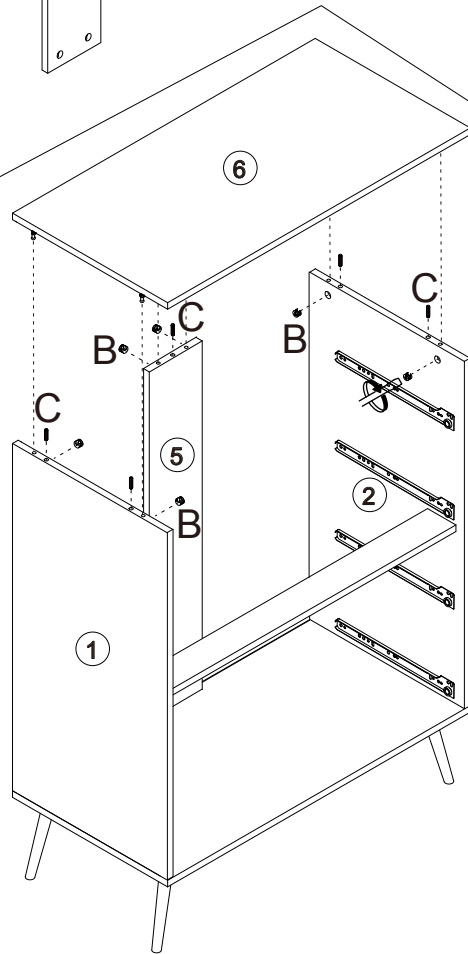
6



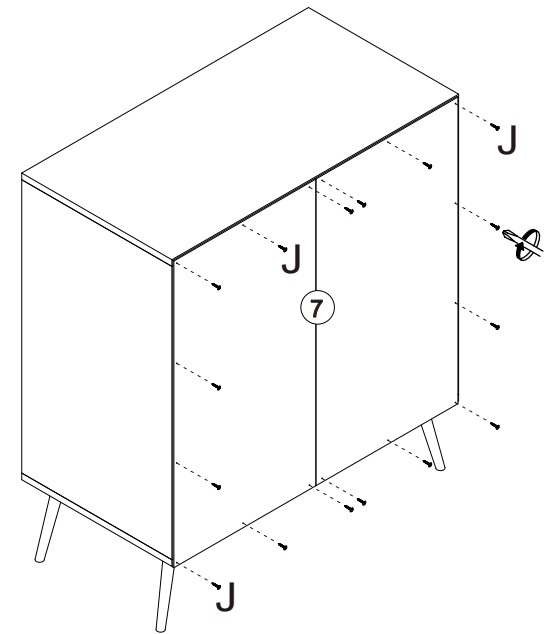
7



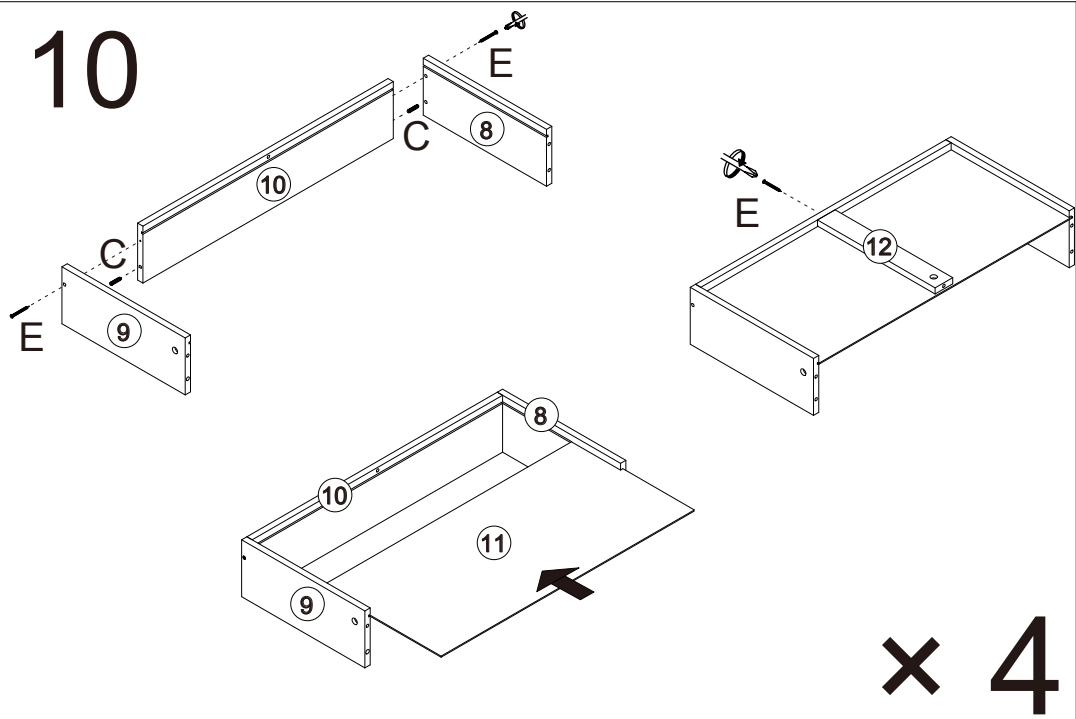
8



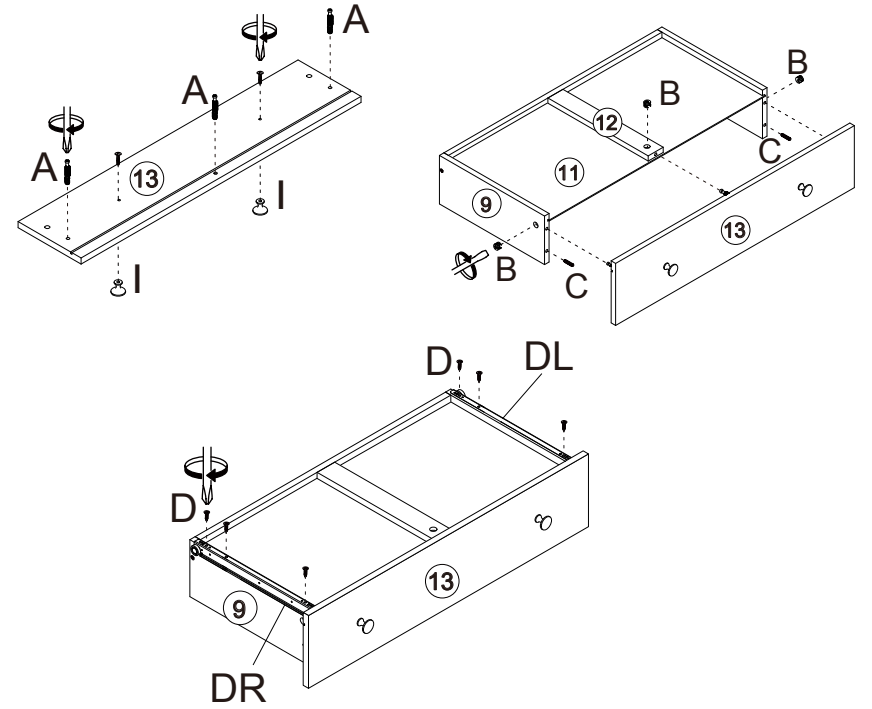
9



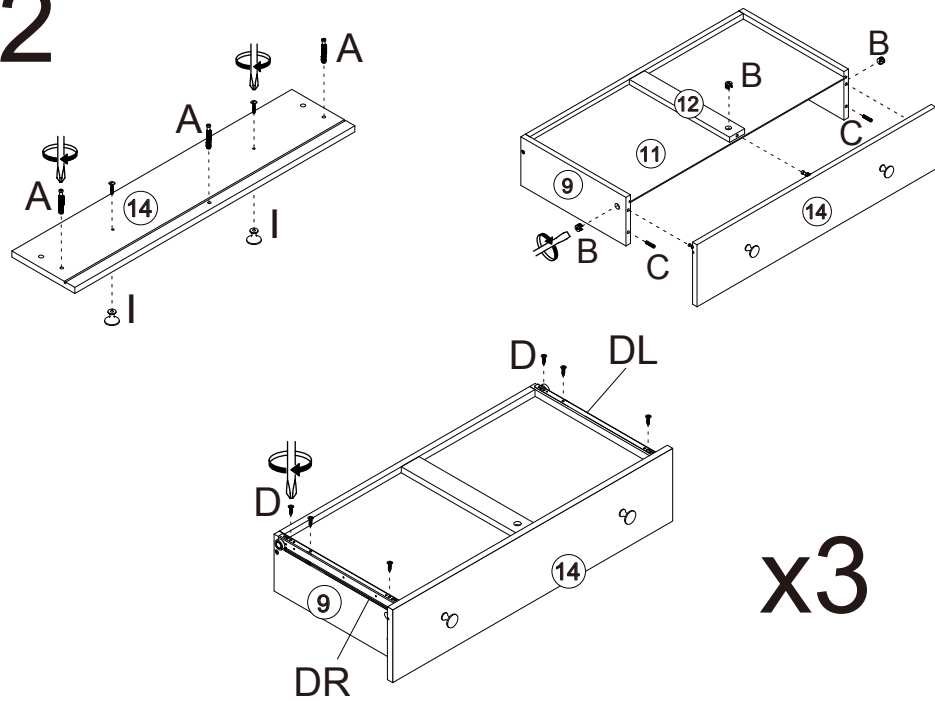
# 10



# 11



# 12



# 13

