

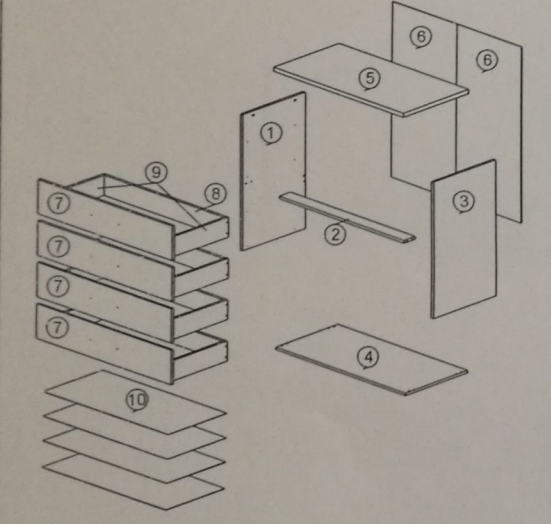
# ASSEMBLY INSTRUCTION

MODEL : HM 2204

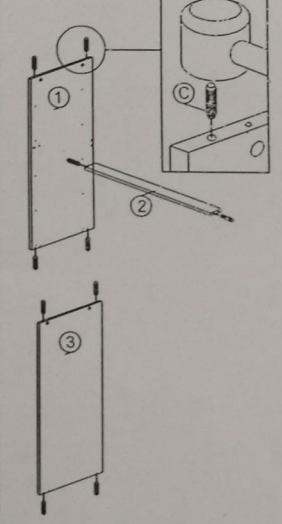
DESCRIPTION : 4 DRAWER CHEST

HARDWARE	A	B	C	D	E	F	G	H	I	J	K
	A1 A2 MINIFIX 9054+9546 6 SET	MINIFIX CAP 6	WOOD DOWEL 8 X 25 10	CB SCREW M3.5X16MM 64	CB SCREW M4X38MM 40	CSK CAP WOOD M6X50MM 4	L KEY 1	NAIL 2/5 60	HANDLE 175-12 4	J1 J2 DRAWER SLIDE 14" 4 SETS	5038 PVC PVC LEG 4

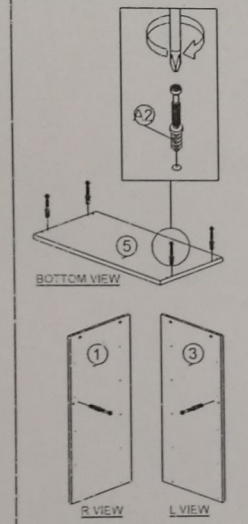
## PART LIST



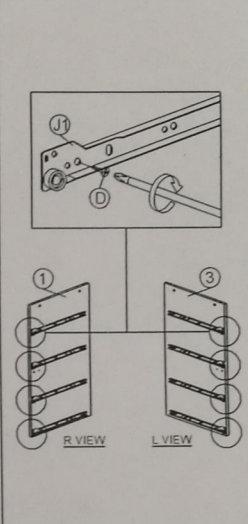
## STEP 1



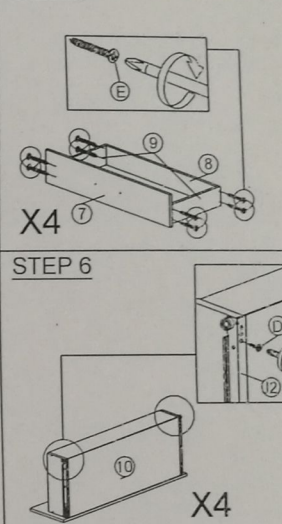
## STEP 2



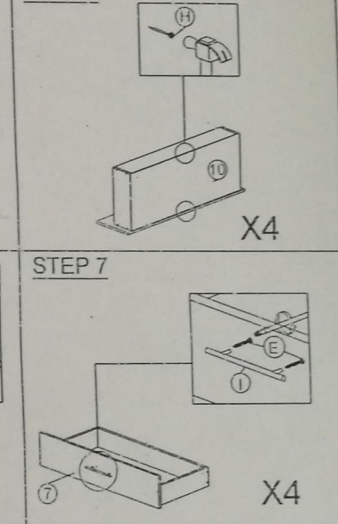
## STEP 3



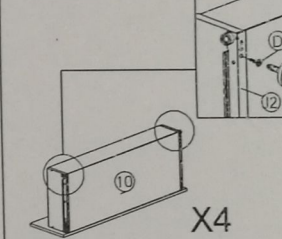
## STEP 4



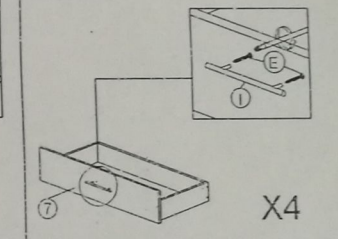
## STEP 5



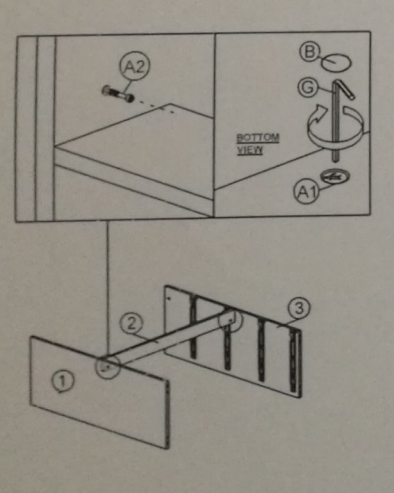
## STEP 6



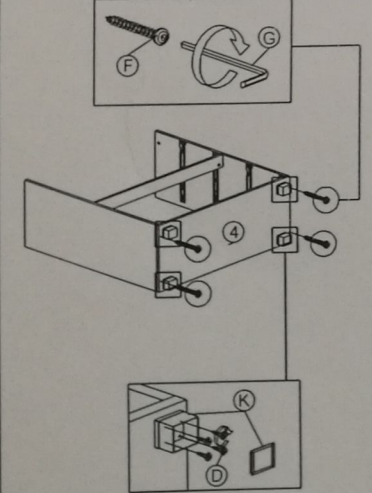
## STEP 7



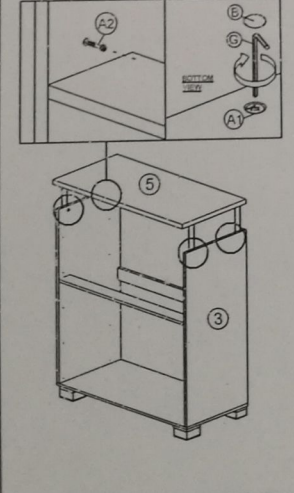
## STEP 8



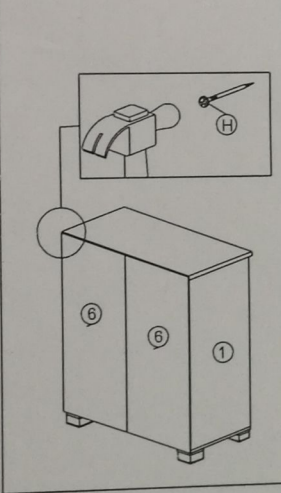
## STEP 9



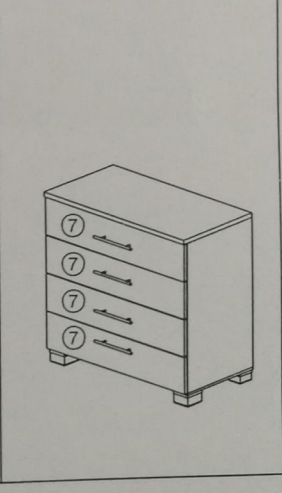
## STEP 10



## STEP 11



## STEP 12



## COMPLETED

