

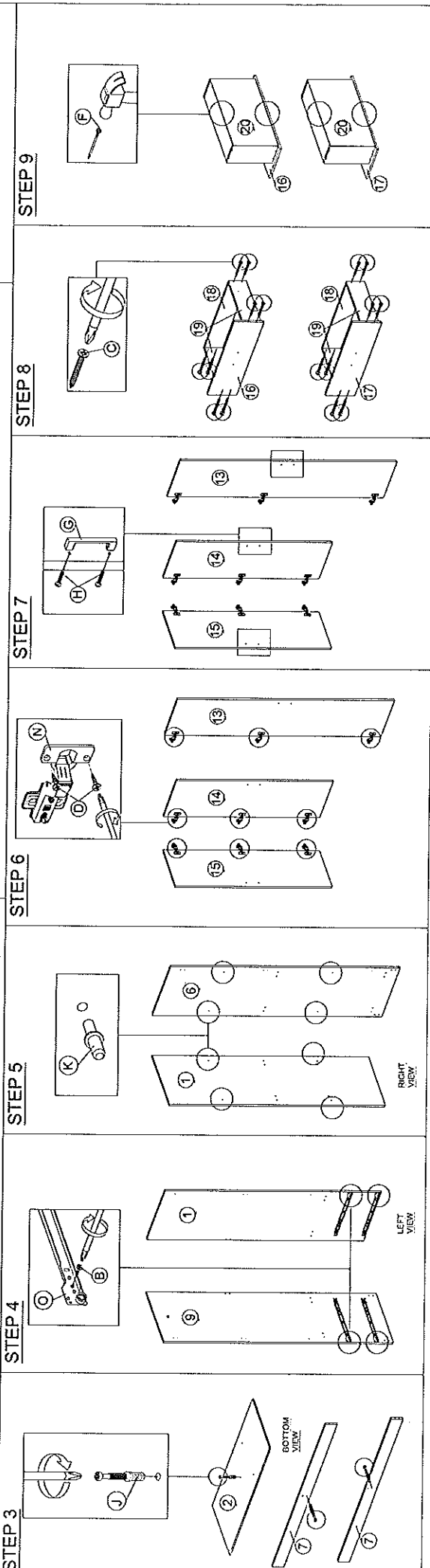
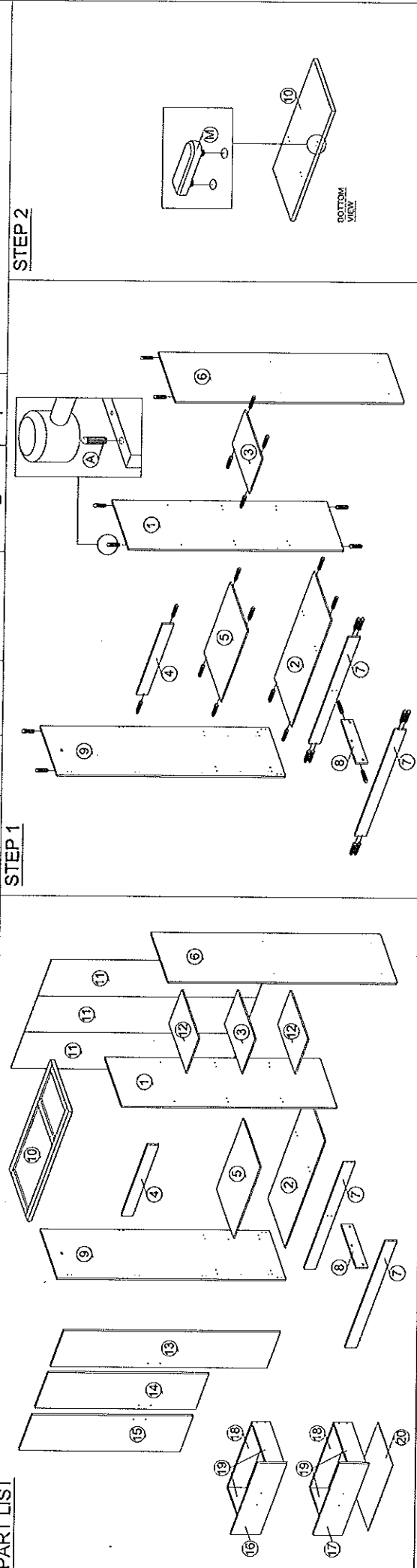
ASSEMBLY INSTRUCTION

DESCRIPTION : 3 DOORS WARDROBE

MODEL : HM 340.03

SOFT, DRY CLOTH	CHEMICAL	HEAT	KEEP DRY	HANDLE WITH CARE	DO NOT USE KNIFE		

HARDWARE		PART LIST	
A	WOOD DOVEL 0 X 30	32	
B	CB SCREW M4X10X1MM	24	
C	CB SCREW M4X20X1MM	36	
D	TAPPING SCREW M4X20X1MM	36	
E	CB SCREW M4X20X1MM	6	
F	NAIL 5R	56	
G	HANDLE 100 -8MM (PVC)	5	
H	CB SCREW M2X25X1MM	6	
I	MINIFIX (HOUSING)	3	
J	MINIFIX (EURO 24)	3	
K	METAL SHELF SUPPORT	8	
L	PVC NAIL WITH PIN 5/8	8	
M	2 PIN STOPPER	1	
N	HINGES 2B	9	
O	DRAWER SLIDE 14" (GLUCR)	2	
P	DRAWER SLIDE 14" (GLUCR)	2	
Q	10MM CHROME PIPE	1	



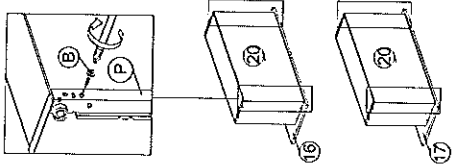
ASSEMBLY INSTRUCTION

MODEL : HM 340.03

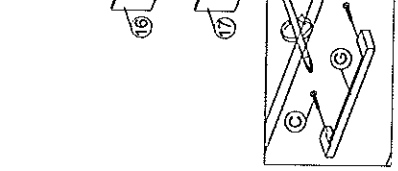
DESCRIPTION : 3 DOORS WARDROBE

SOFT, DRY CLOTH.	CHEMICAL	HEAT	KEEP DRY	HANDLE WITH CARE	DO NOT USE KNIFE	

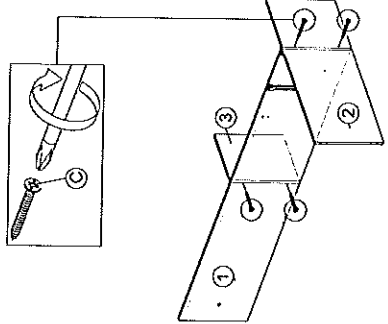
STEP 10



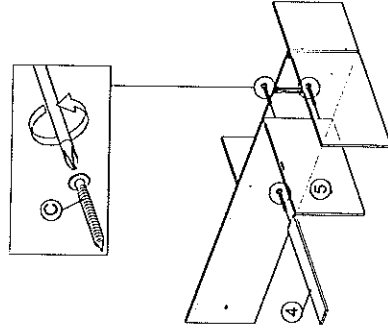
STEP 11



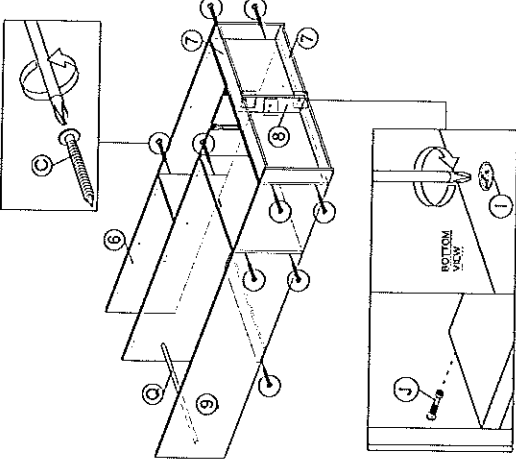
STEP 12



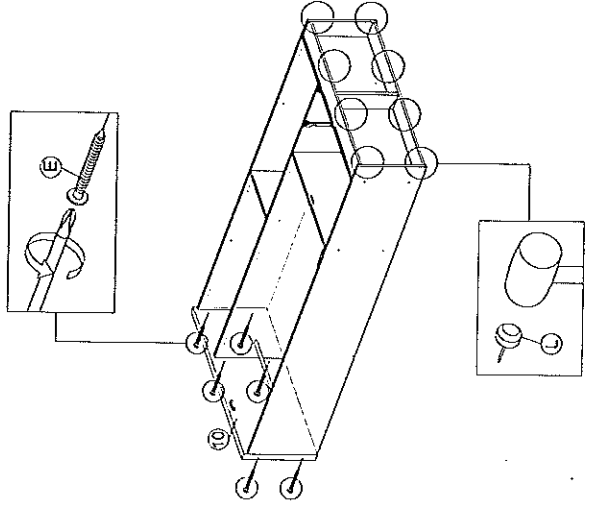
STEP 13



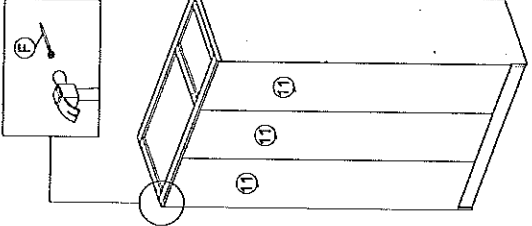
STEP 14



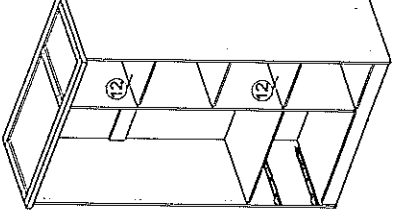
STEP 15



STEP 16



STEP 17



STEP 18

