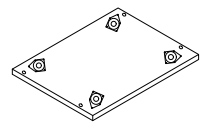
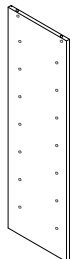
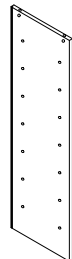
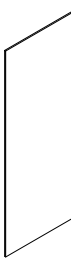
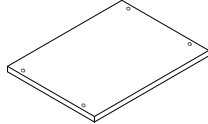
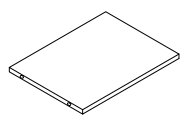
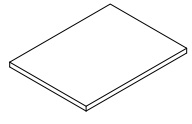
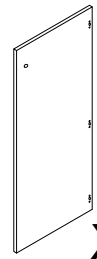
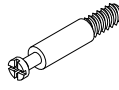
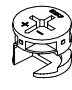


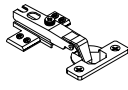
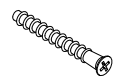
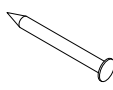



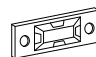


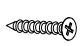
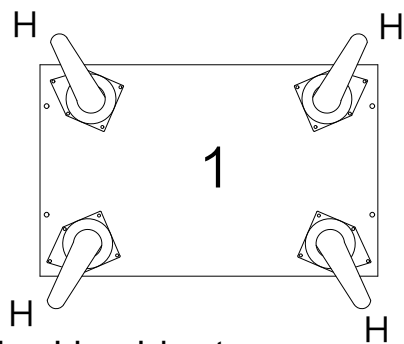


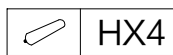
HM8954

| | | | | | | | |
|--|--|--|--|--|---|---|---|
| 1  X1 | 2  X1 | 3  X1 | 4  X1 | 5  X1 | 6  X1 | 7  X6 | |
| 8  X1 | A  X8 | B  X8 | C  X24 | D (3.5X12)  X18 | E  X3 | F (6.3X50)  X4 | |
| G  X18 | H  X4 | I  X1 | J Wall Plug  X2 | K Wall Strap Holder  X2 | L Wall Strap  X1 | M Screw (4x35)  X2 | N Screw (3.5x16)  X2 |

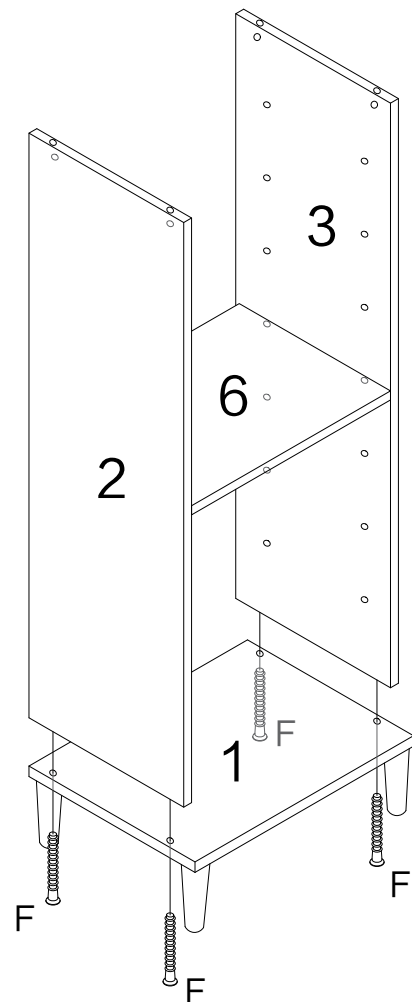
Step 1



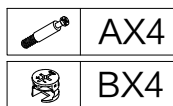
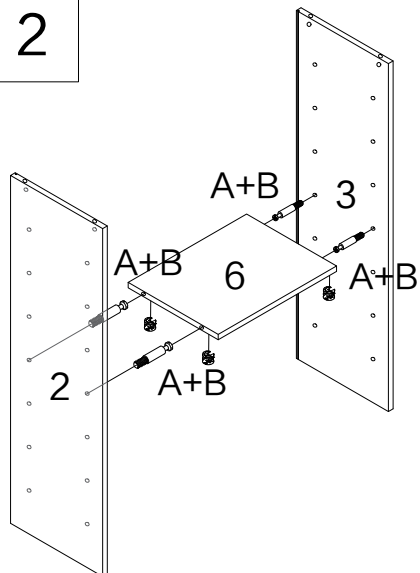
Screw the H cabinet legs directly into the patch holes on board 1



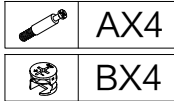
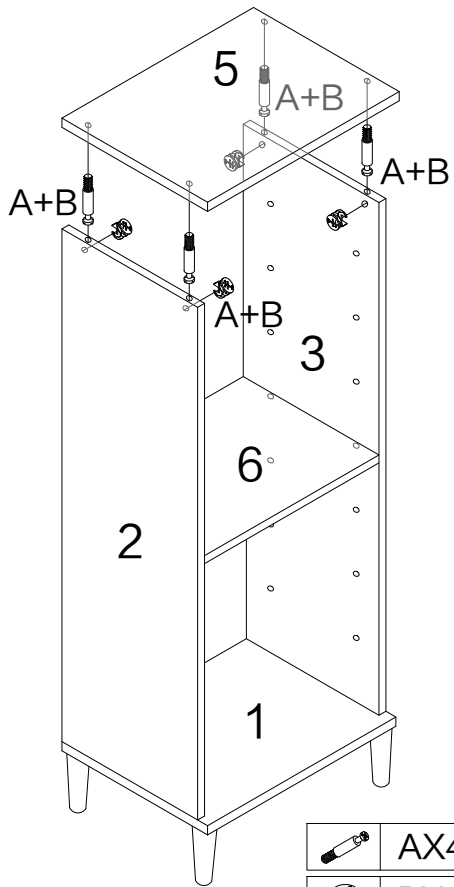
Step 3



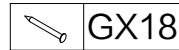
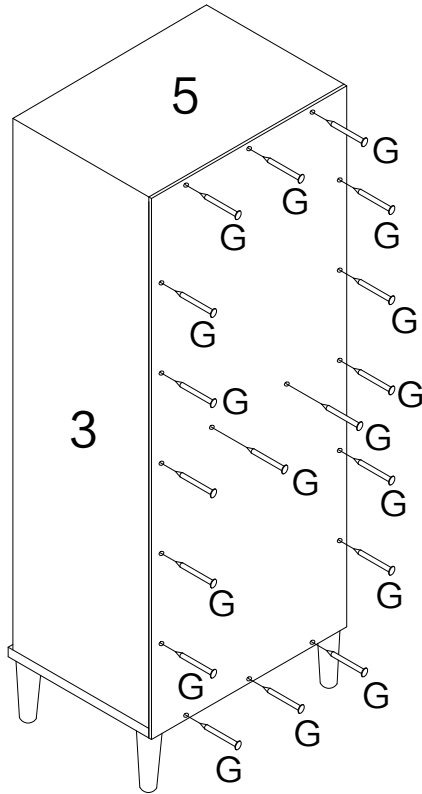
Step 2



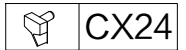
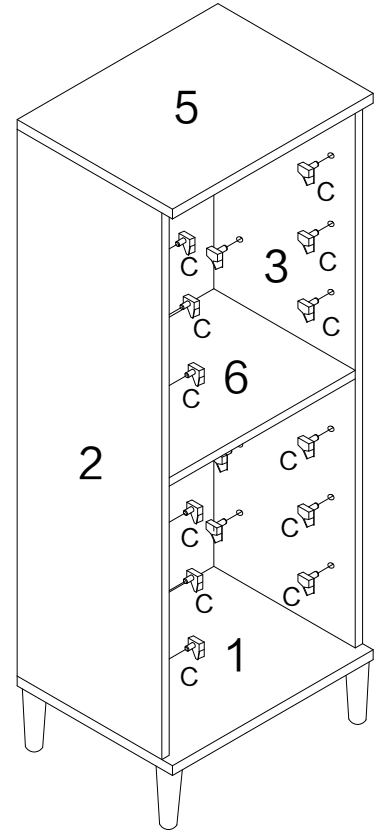
Step 4



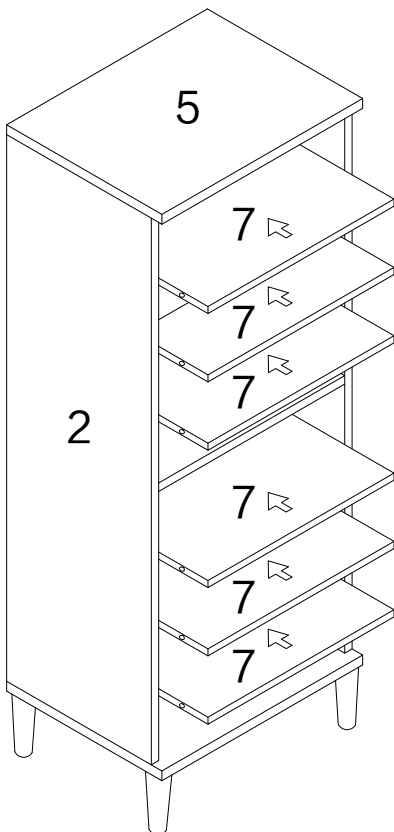
Step 5



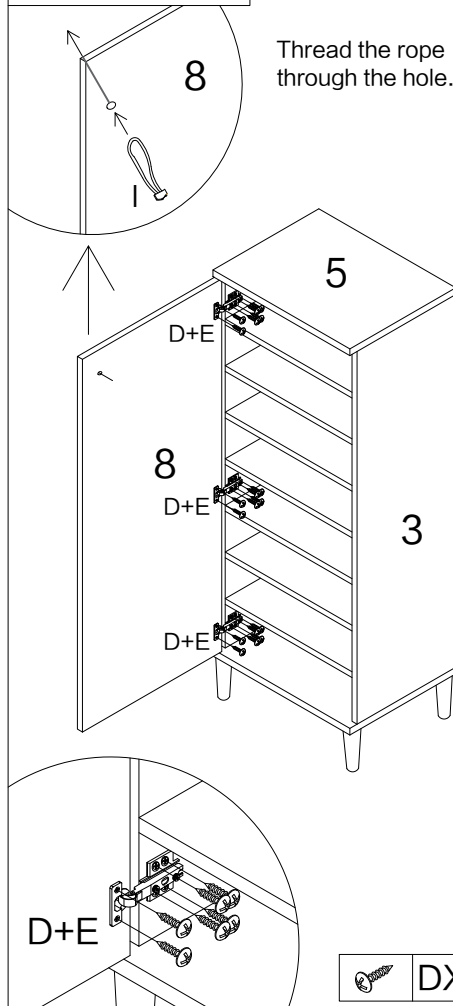
Step 6



Step 7



Step 8



Step 9

Warning: Step 9 is very important, please surely complete it according to the instruction.

