

AX36



BX38



CX4



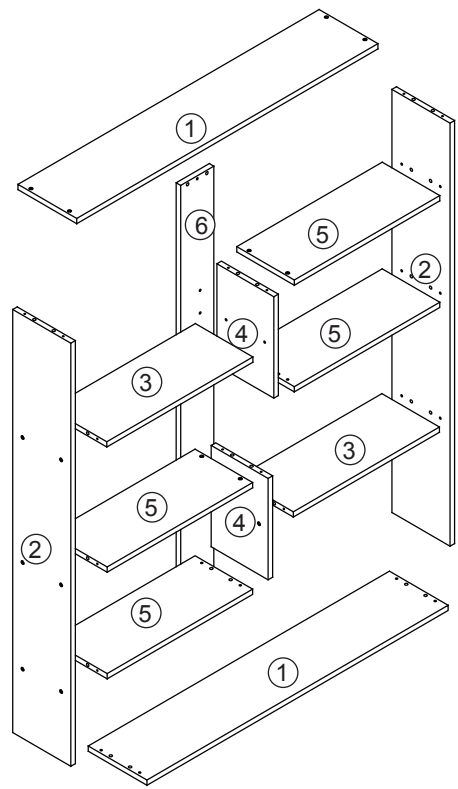
DX2



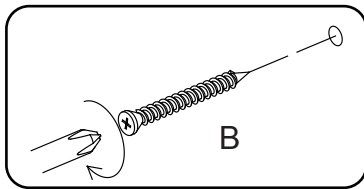
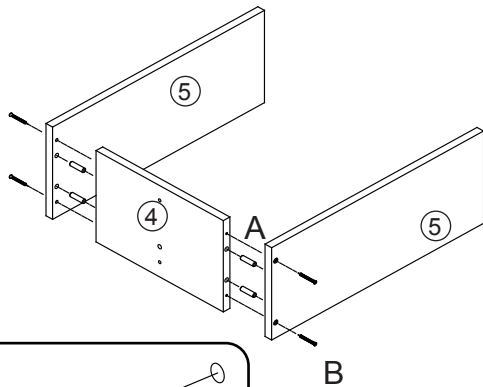
EX1



FX1

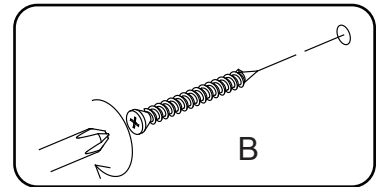
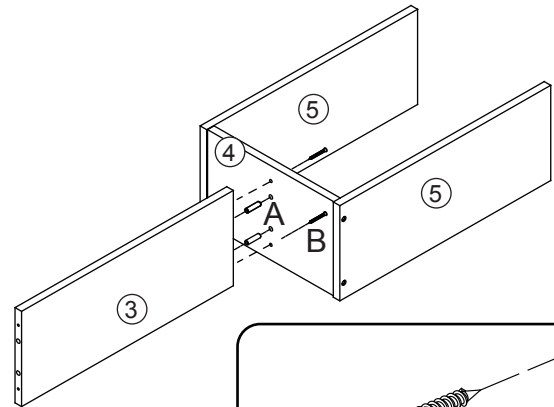


1



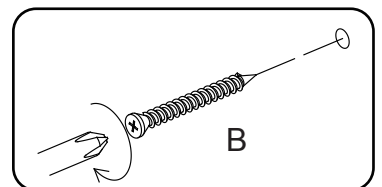
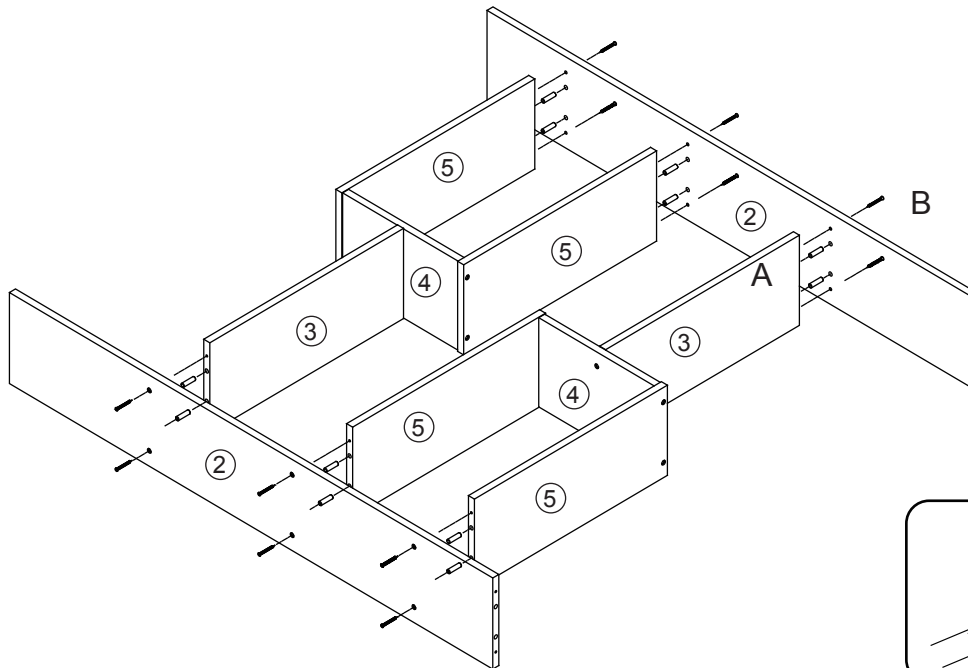
X2

2



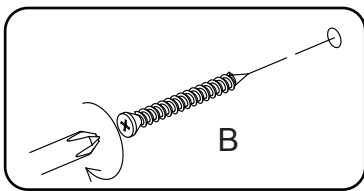
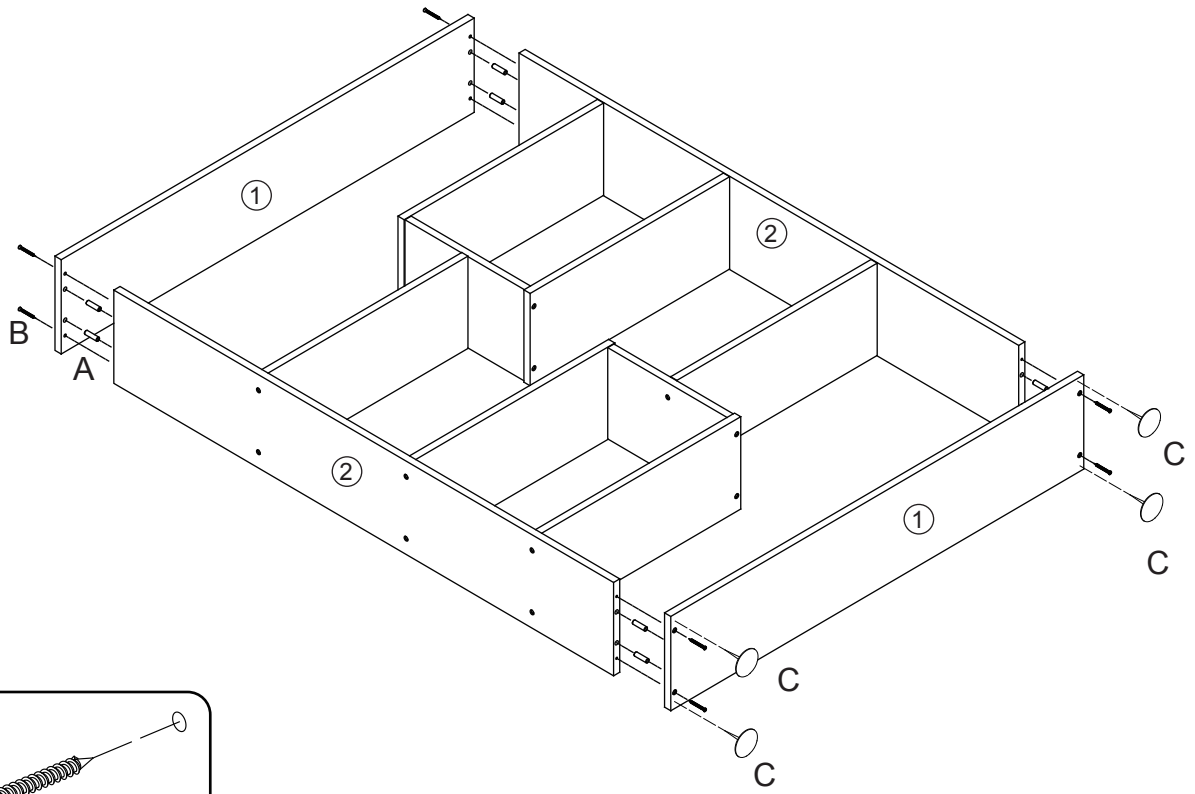
X2

3

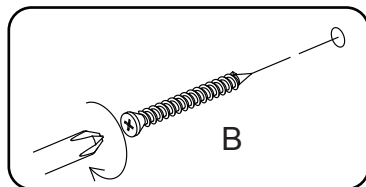
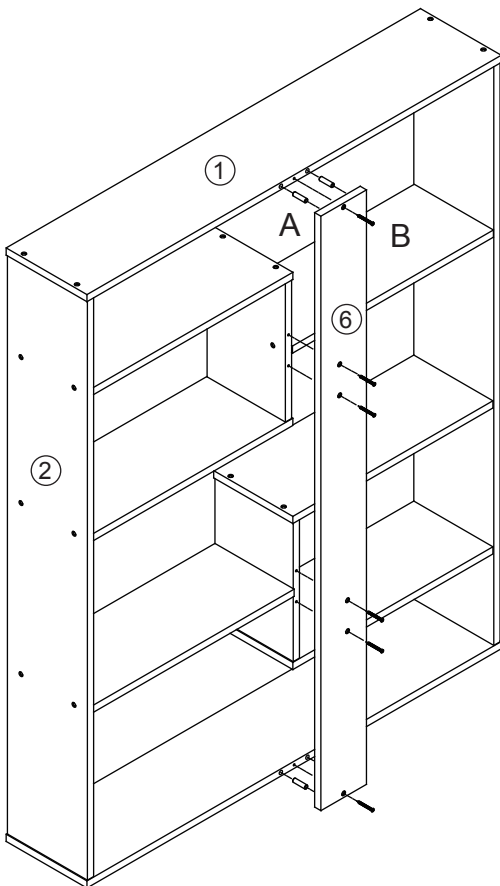


B

4



5



6

