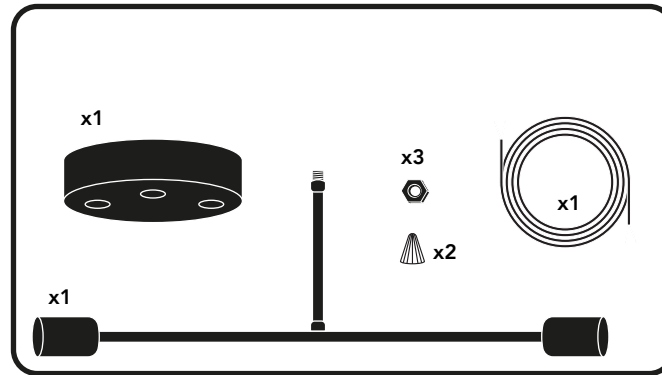


OCTOPUS CHANDELIER

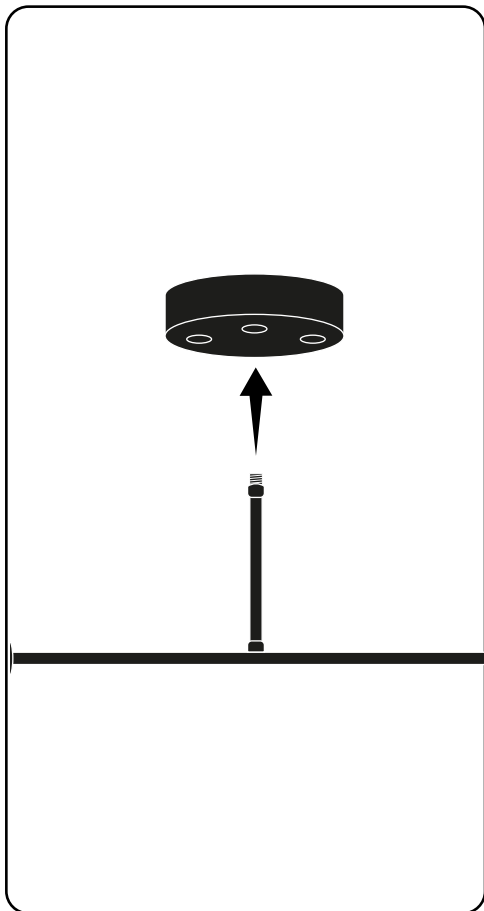
Instruction Schema



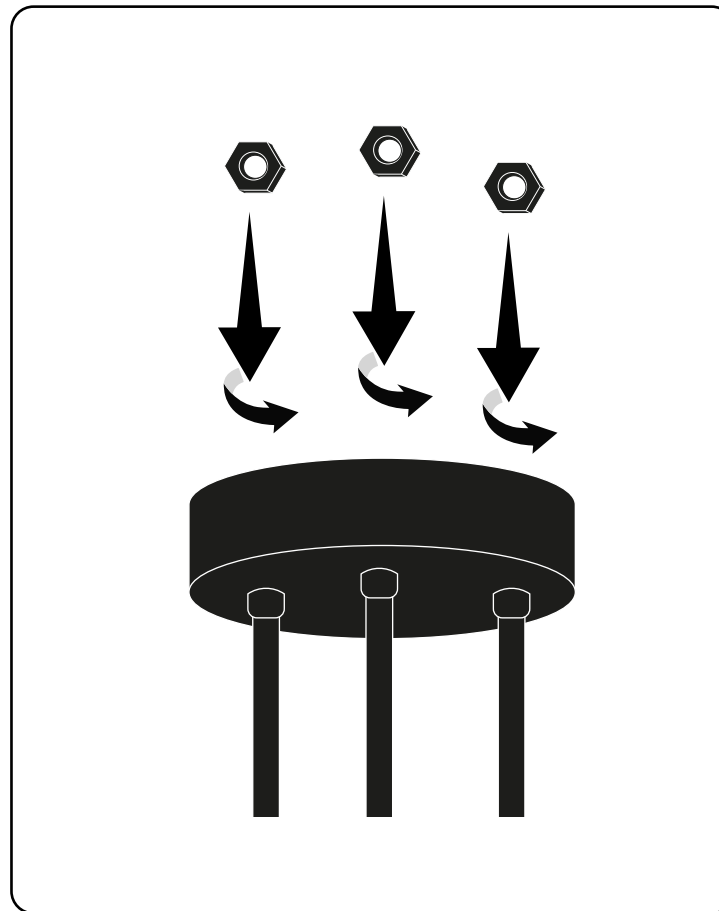
You should combine the cables that go out from the arms of the chandelier with the ones that go out from the body of the chandelier. As you do that you should consider the same color criterion. as you make his operation you should fix them with a plastic cable lock. And by using a claw, you need to crush the cables but during this operation the cables should not go out.

NOTE :AS YOU MAKE AN ELECTRICAL CONNECTION PLEASE CONSIDER THE CLOSING CONDITION OF THE ELECTRIC SWITCHGEAR. (IT SHOULD BE CLOSED)

1



2



3

