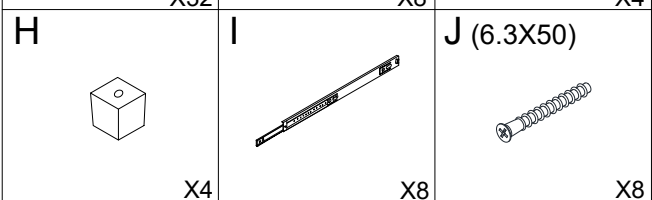
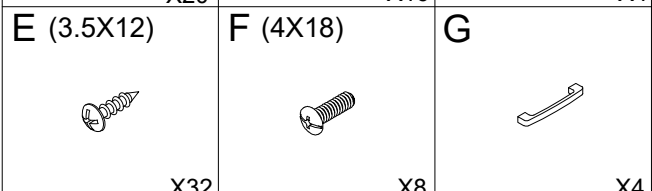
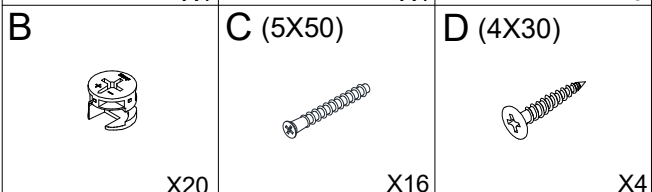
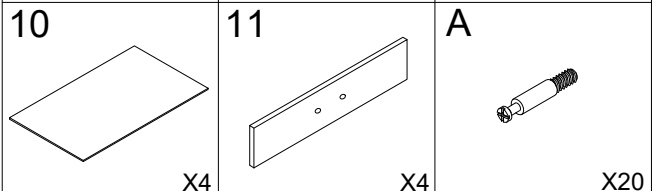
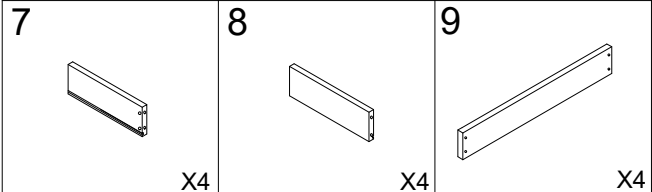
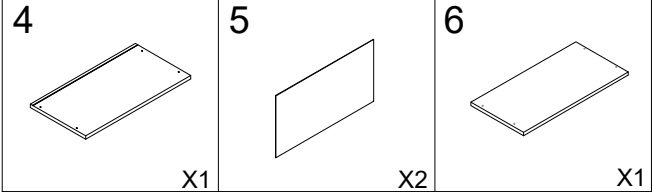
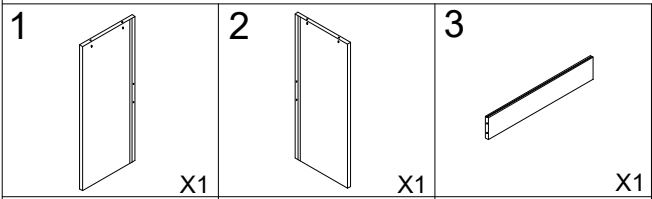
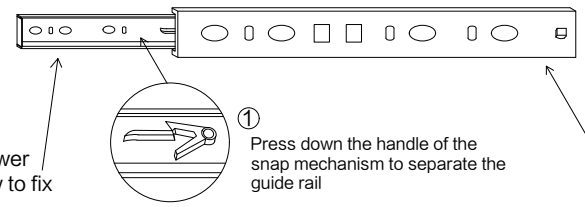


HM8996



**SPLIT
GUIDE
RAIL**

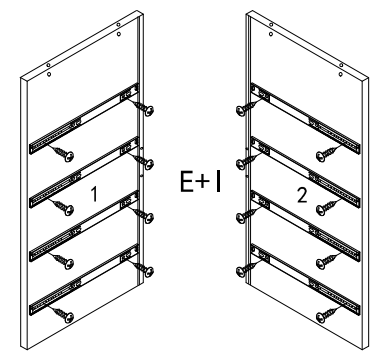


② Align the guide rail and drawer position, screw in the screw to fix

① Press down the handle of the snap mechanism to separate the guide rail

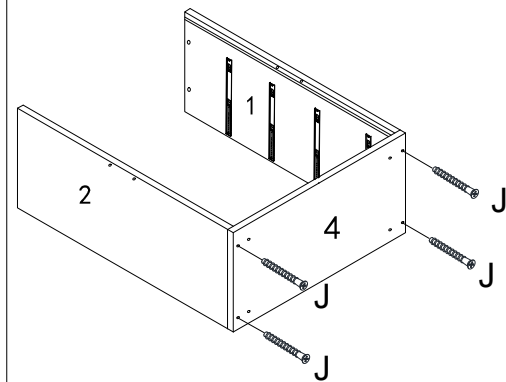
③ Align the guide rail and cabinet position, screw in the screw to fix

Step 1



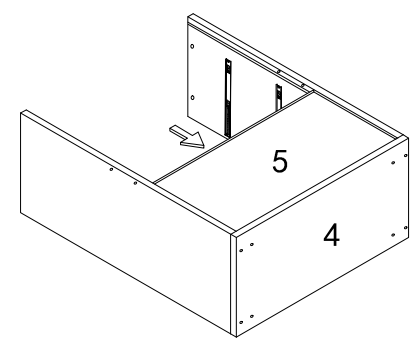
ACCESSORIES REQUIRED
E X 16

Step 2

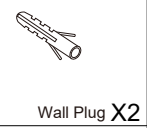


ACCESSORIES REQUIRED
J X 4

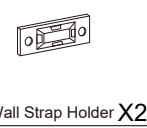
Step 3



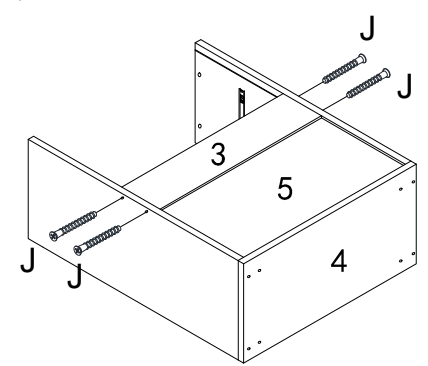
K



L

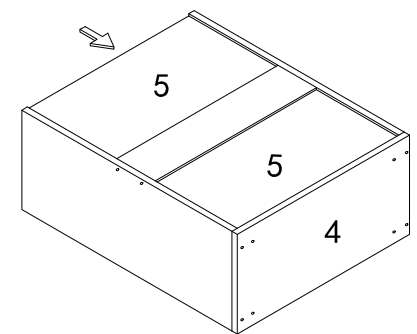


Step 4

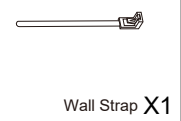


ACCESSORIES REQUIRED
J X 4

Step 5



M



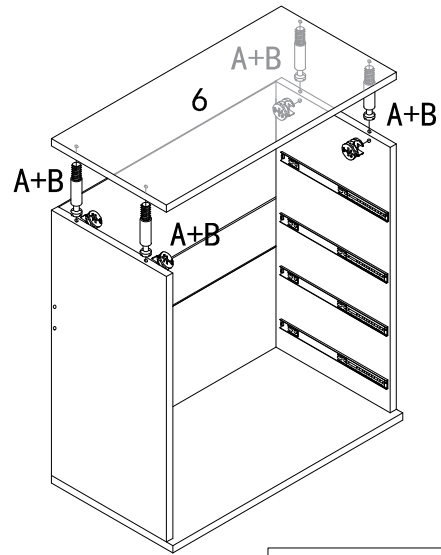
N





O (3.5X16)

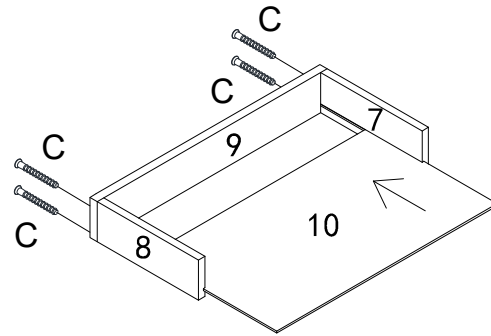


Step 6



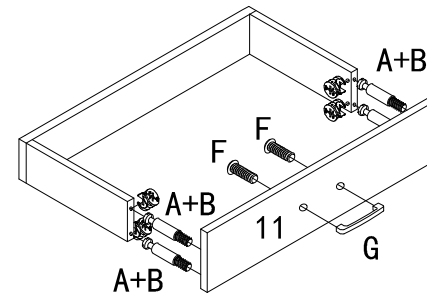
ACCESSORIES REQUIRED	
	A × 4
	B × 4




Step 7



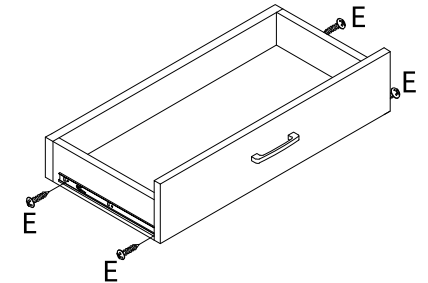
ACCESSORIES REQUIRED	
	C × 4

Step 8



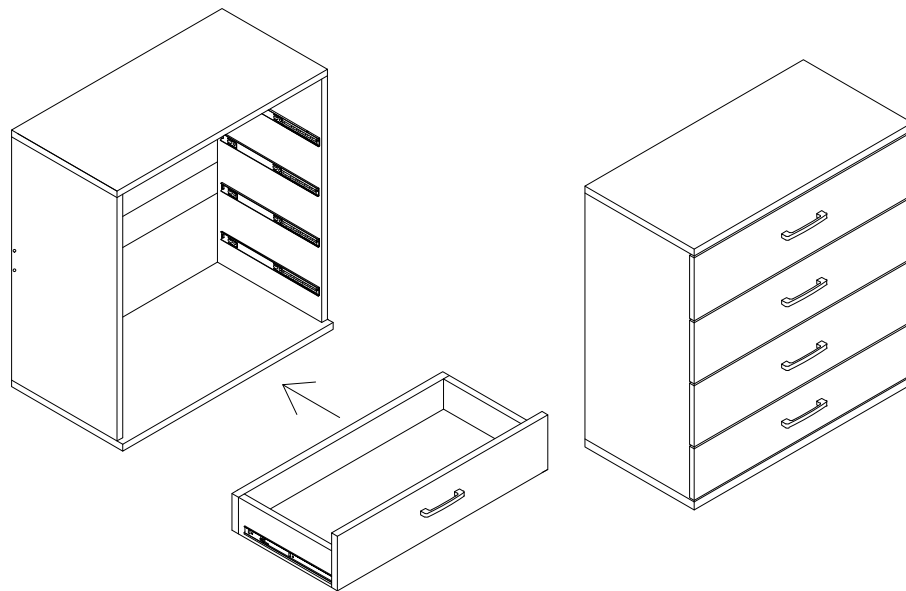
ACCESSORIES REQUIRED	
	A × 4
	B × 4
	F × 2

Step 9

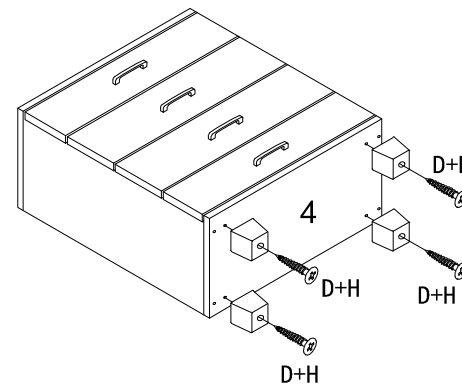


ACCESSORIES REQUIRED	
	E × 4

Step 10



Step 11



ACCESSORIES REQUIRED	
	D × 4

COMPLETE

